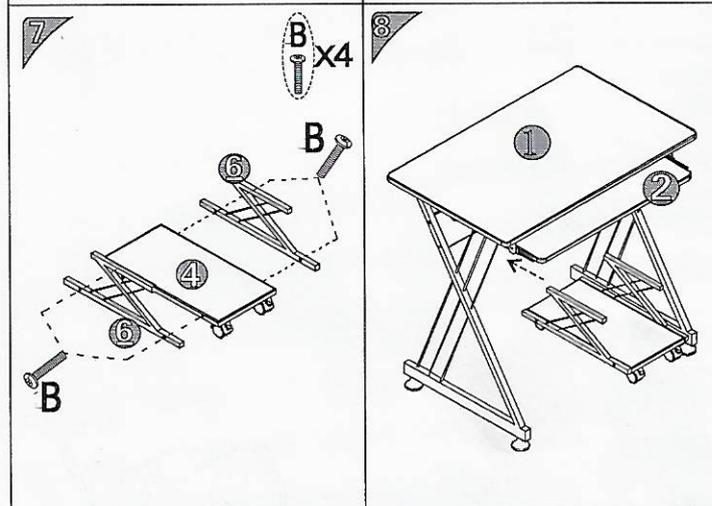
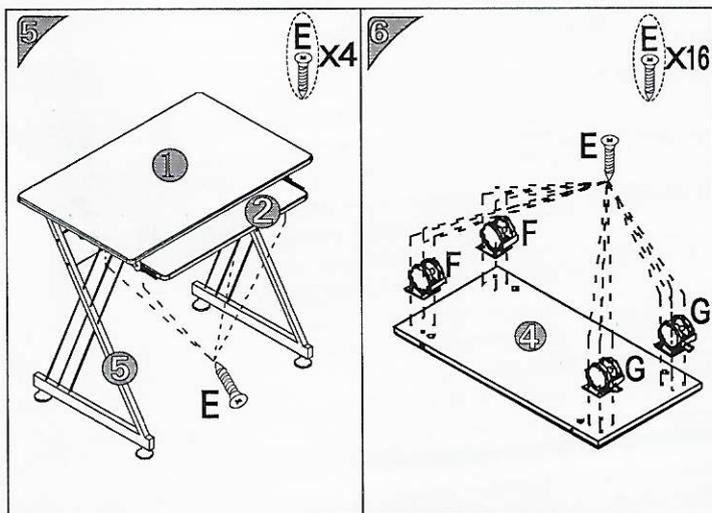
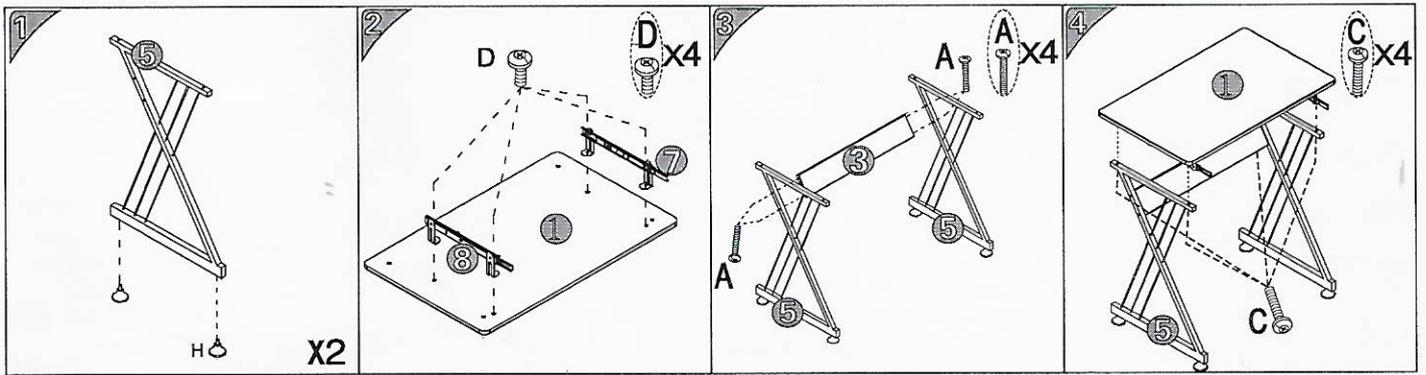


PART	QTY.	ITEM
A	4	M6X45mm
B	4	M6X40mm
C	4	M6X30mm
D	4	M6X10mm
E	20	M3.5X14mm

PART	QTY.	ITEM
F	2	15'
G	2	15'
H	4	M8X18mm
I	1	



MULTI FUNCTIONS COMPUTER TABLE ZITA PLUS 12-0052 ASSEMBLY INSTRUCTION

Thanks for purchasing one of our products, please read carefully the assembly instructions before the installation (Attention: Do not tighten the screws before all screws are in place).

