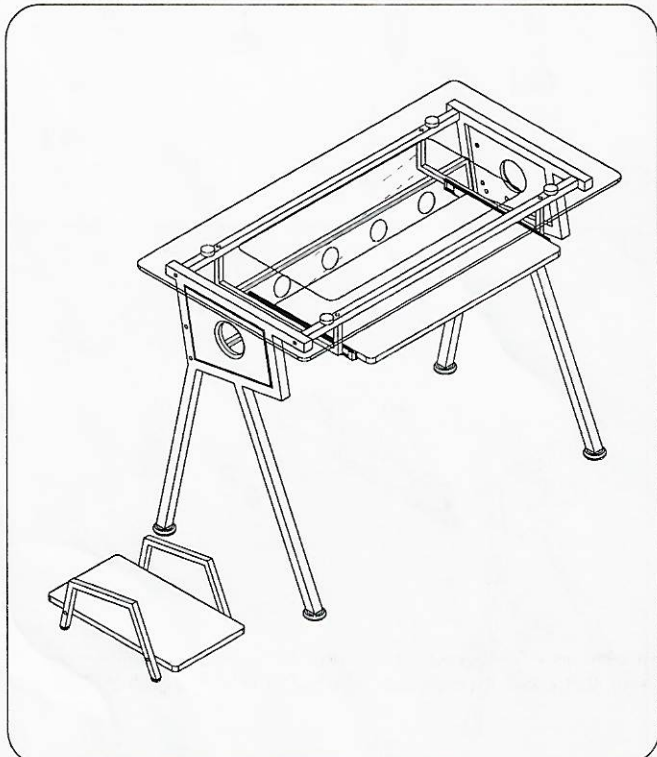
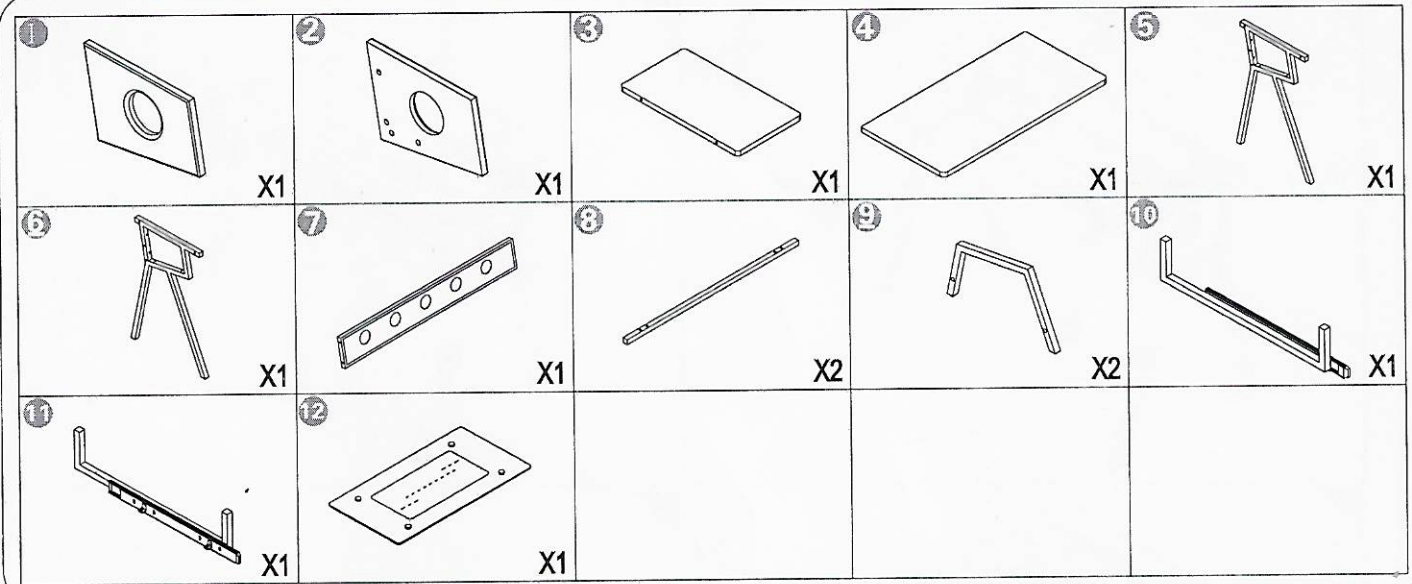


MULTI FUNCTIONS COMPUTER TABLE

ZITA PLUS 12-0057 ASSEMBLY INSTRUCTION

Thanks for purchasing one of our products, please read carefully the assembly instructions before the installation (Attention: Do not tighten the screws before all screws are in place).





| PART | QTY. | ITEM | |
|------|------|-----------|--|
| A | 8 | M6X50mm | |
| B | 8 | M6X40mm | |
| C | 1 | | |
| D | 4 | M6X30mm | |
| E | 8 | M6X25mm | |
| F | 4 | M3.5X14mm | |

| PART | QTY. | ITEM | |
|------|------|---------|--|
| G | 4 | M6 | |
| H | 4 | M6X8mm | |
| I | 4 | M8X18mm | |
| J | 1 | 10~14 | |

