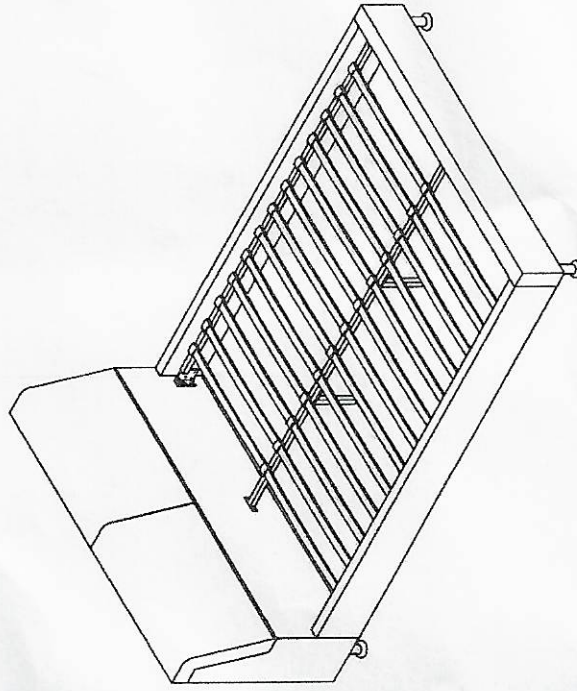


ASSEMBLY INSTRUCTIONS



PART LIST

1. Headboard 1 pcs 2. Footboard 1 pcs 3. Support Leg 2 pcs 4. Sideboard 2 pcs



5. Middle Rail 1 pcs 6. Slats 26 pcs 7. Double-hole Plastic Cap 13 pcs 8. Single-hole Plastic Cap 26 pcs



9. Legs 4 pcs



HARDWARE LIST

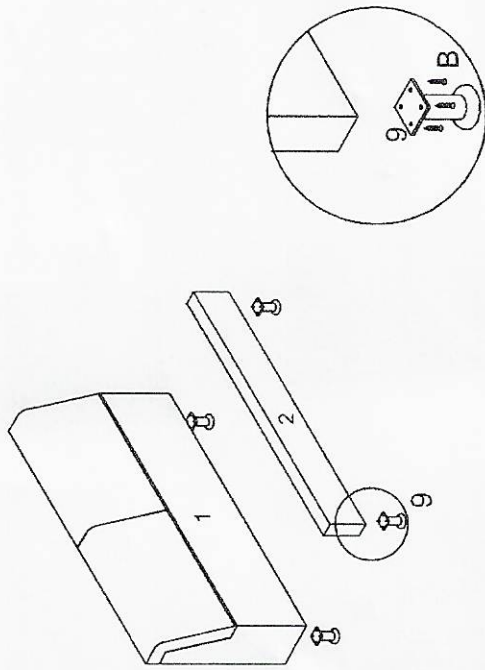
(A) Bolt M8*30mm 16 pcs (B) Screw 4*25mm 16 pcs (C) Nut M8 4 pcs (D) Spring Washer 8 pcs



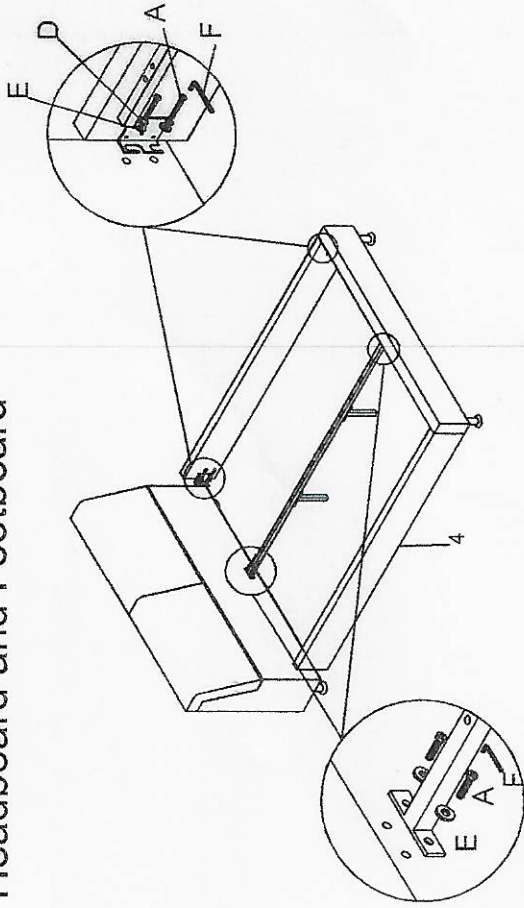
(E) Flat Washer 16 pcs (F) Allen Key 1 pcs (G) Spanner Washer 1 pcs



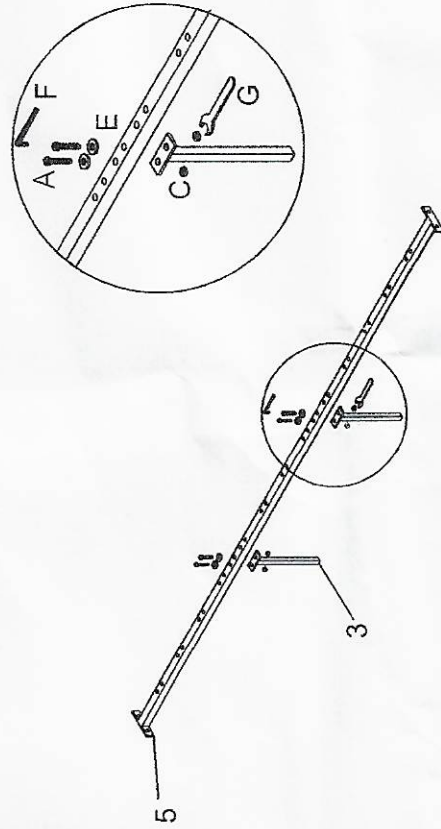
Step 1 Fixing Legs to Headboard and Footboard



Step 3 Fixing Sideboards and Middle Rail to Headboard and Footboard



Step 2 Fixing Support Legs to Middle Rail



Step 4 Fixing Plastic Caps and Slats

