

ASSEMBLY INSTRUCTIONS

PARTS AND HARDWARE



Leg
4x

DIAGRAM 1

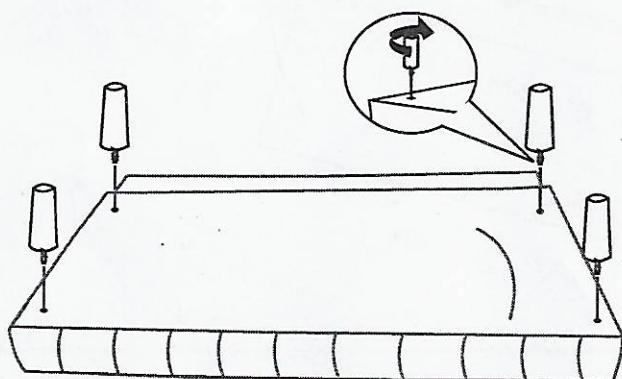


DIAGRAM 2

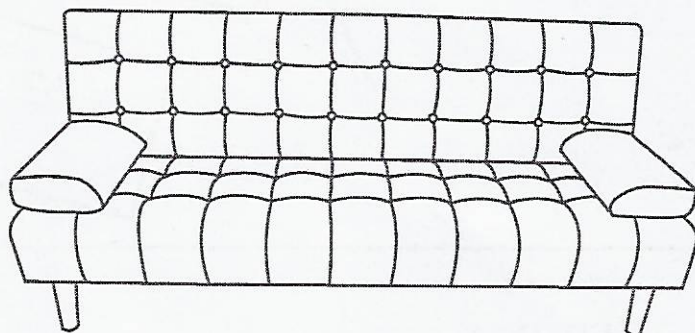


DIAGRAM 3

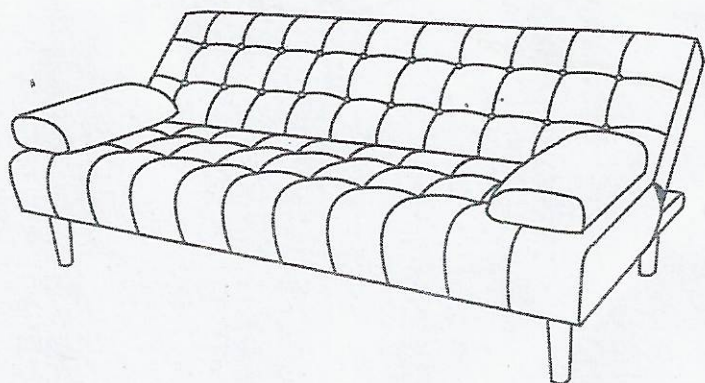
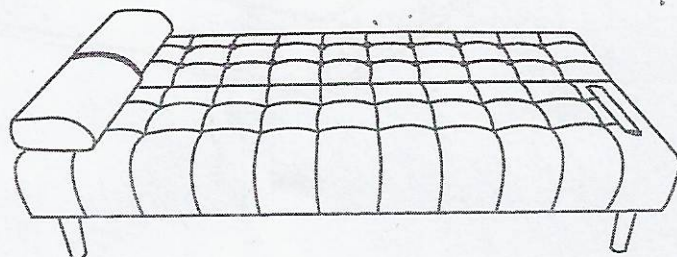

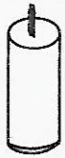









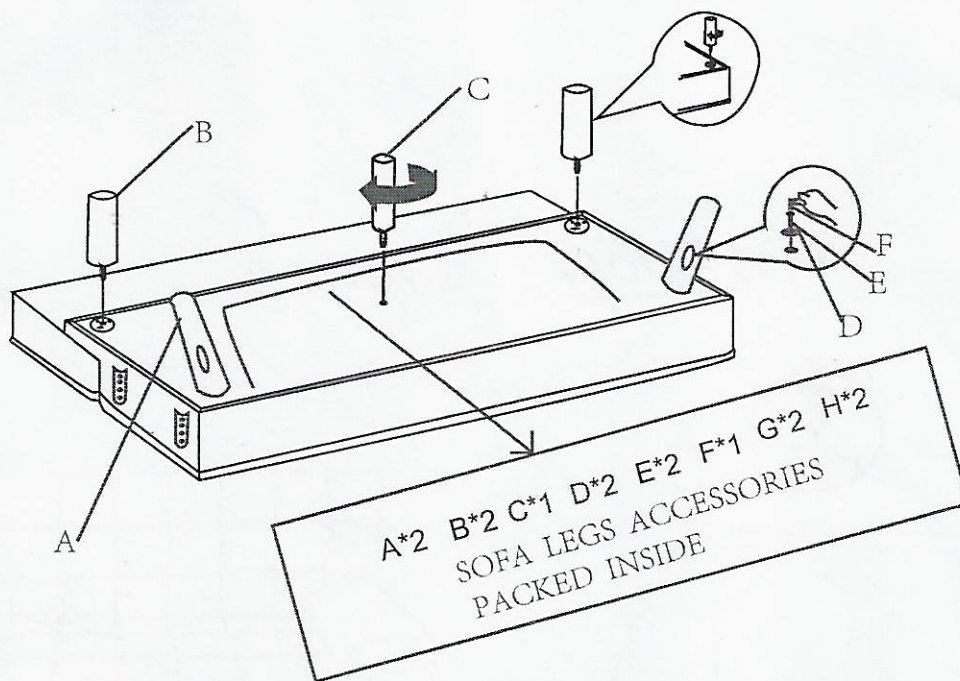
DIAGRAM 4



ASSEMBLY INSTRUCTIONS

A	B	C	D	E	F	G	H	I
				 6*70MM				
2X	2X	1X	2X	2X	1X	1X	1X	1X

STEP 1



STEP 2

