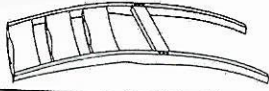






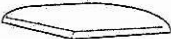


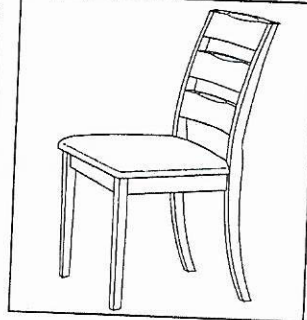
ASSEMBLY INSTRUCTION SHEET

ZITA PLUS PASTEL

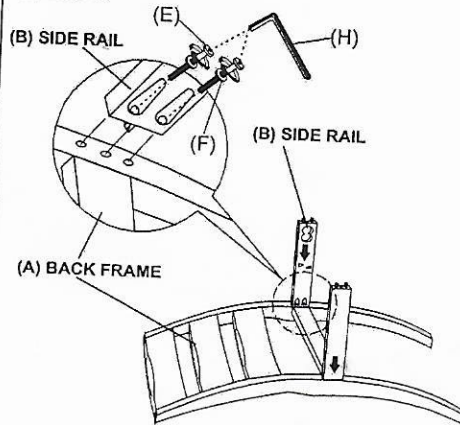
PARTS & HARDWARE LIST :

(A) BACK FRAME - 1 pc. 	(E) JCBC.BOLT 50 mm - 6 pcs. 
(B) SIDE RAIL - 2 pcs. 	(F) SPRING WASHER - 6 pcs. 
(C) FRONT FRAME - 1 pc. 	(G) CBS. SCREW 32 mm - 3 pcs. 
	(H) ALLEN KEY - 1 pc. 
	(I) CUSHION SEAT - 1 pc. 

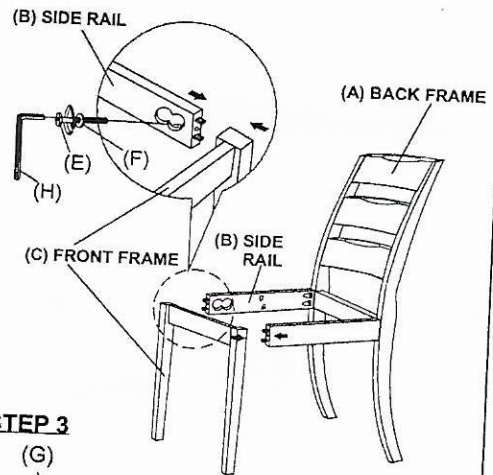
COMPLETE



STEP 1



STEP 2



STEP 3

