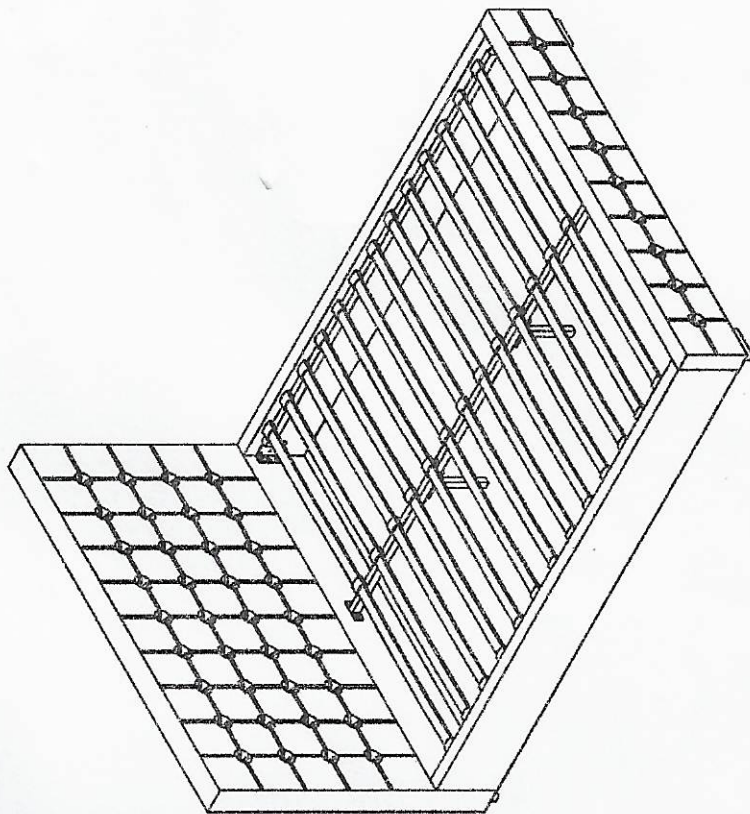
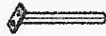


ASSEMBLY INSTRUCTIONS



PART LIST

1. Headboard 1pc 2. Footboard 1pc 3. Support Leg 2pcs 4. Sideboard 2pcs



5. Middle Rail 1pc

6. Slats 26pcs

7. Double-hole Plastic Cap 13pcs

8. Single-hole Plastic Cap 26pcs



9. Legs 4pcs



HARDWARE LIST

(A) Bolt M8*30mm 16pcs (B) Bolt M8*50mm 4pcs (C) Nut M8 4pcs (D) Spring Washer 8pcs



(E) Flat Washer 20pcs



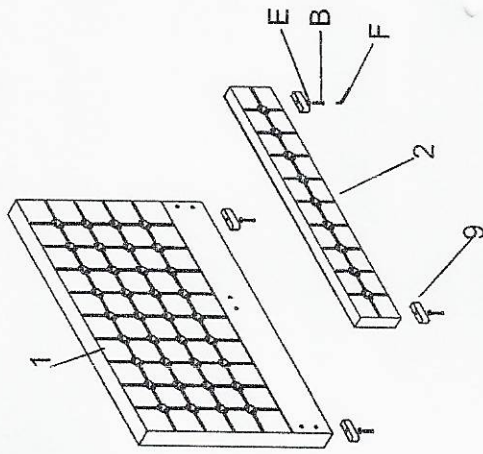
(F) Allen Key 1pc



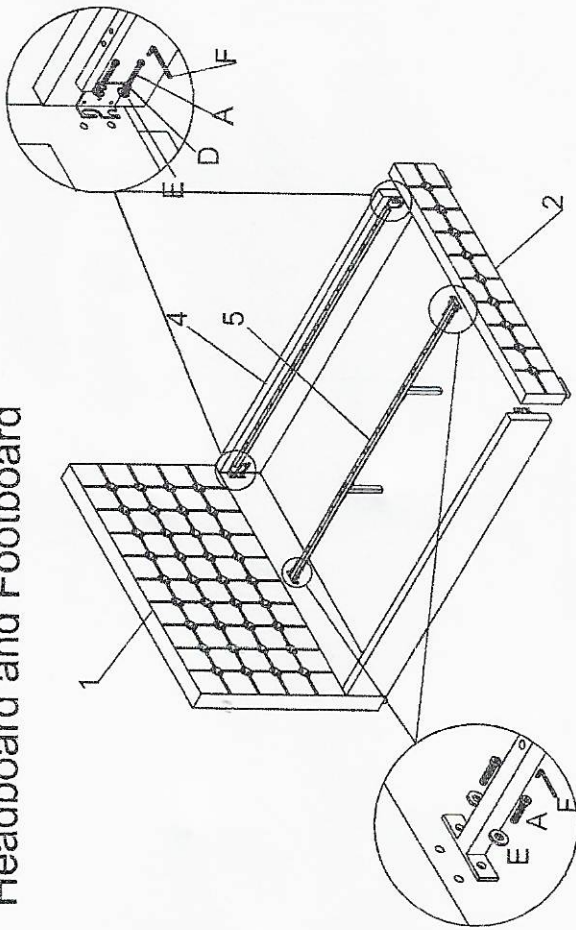
(G) Spanner Washer 1pc



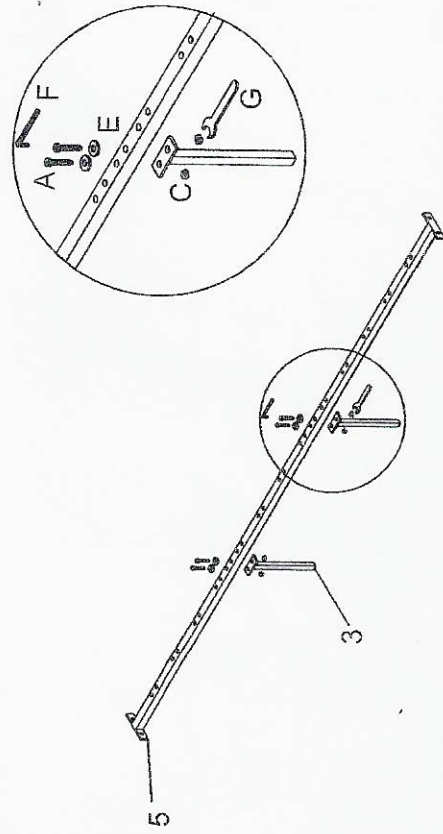
Step 1 Fixing Legs to Headboard and Footboard



Step 3 Fixing Sideboards and Middle Rail to Headboard and Footboard



Step 2 Fixing Support Legs to Middle Rail



Step 4 Fixing Plastic Caps and Slats

