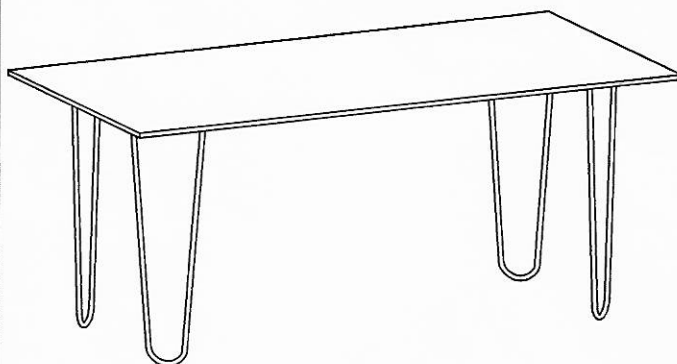


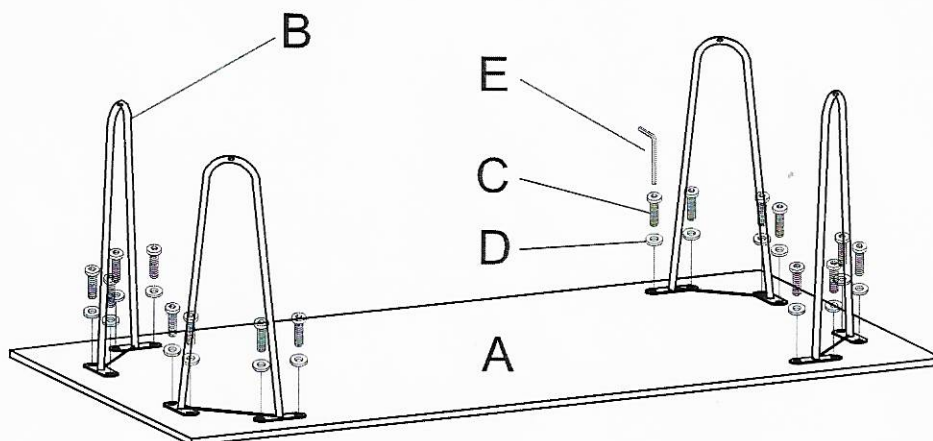
ASSEMBLY INSTRUCTION

Item NO:ZITA PLUS 09-0062

HARDWARE LIST			
NO.	PART	DESCRIPTION	Q'TY
A		MDF Top	1
B		Legs	4
C		Screw	16
D		Washer	16
E		Allen Key	1
F		Feet	4



step 1



step 2

