






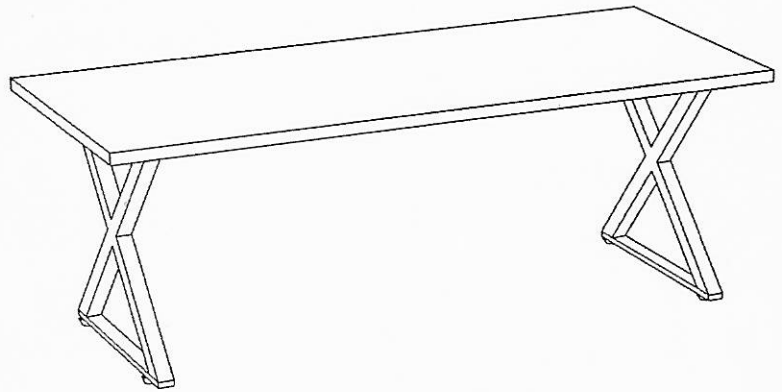


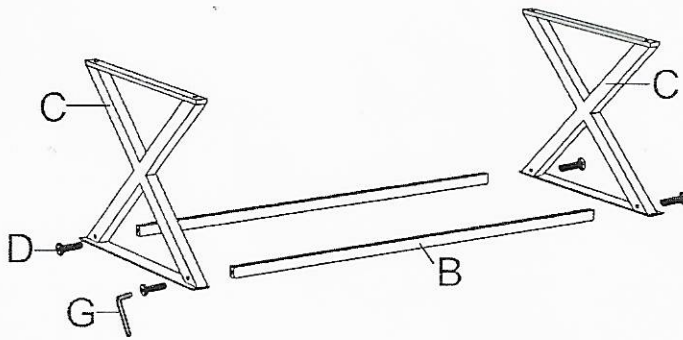
# ASSEMBLY INSTRUCTION

Item No.:ZITA PLUS 09-0065

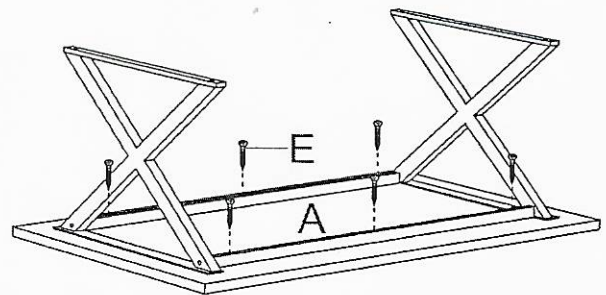
HARDWARE LIST			
NO	PART	DESCRIPTION	QTY
A		Top	1
B		Transom	2
C		Frame	2
D		Long Screw	4
E		Self-threading Pin	6
F		Feet	4
G		Allen Key	1



step 1



step 2



step 3

