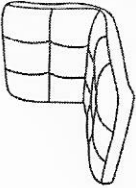

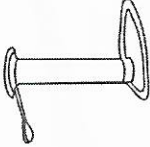

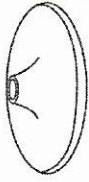




BARSTOOL

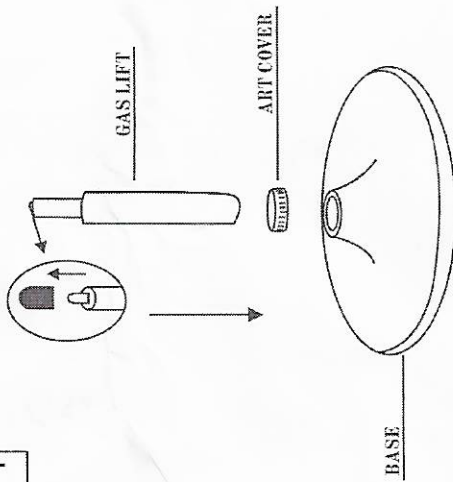
# ASSEMBLY INSTRUCTION

▽ PARTS x QTY

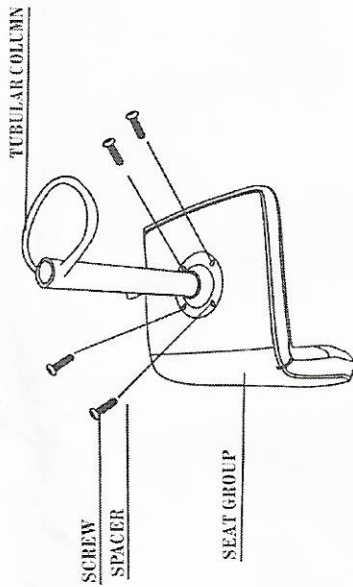
SEAT GROUP x1 	ART COVER x1 
TUBULAR COLUMN x1 	SCREW x4 
BASE x1 	SPANNER x1 
GAS LIFT x1 	

▽ ASSEMBLY PROGRAM

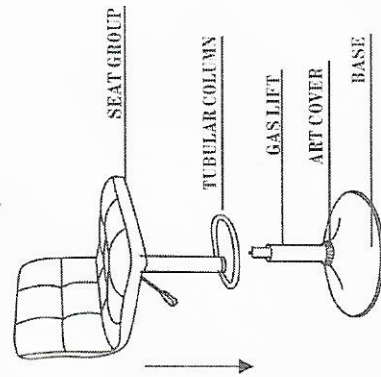
STEP 1



STEP 2



STEP 3



FINISH

