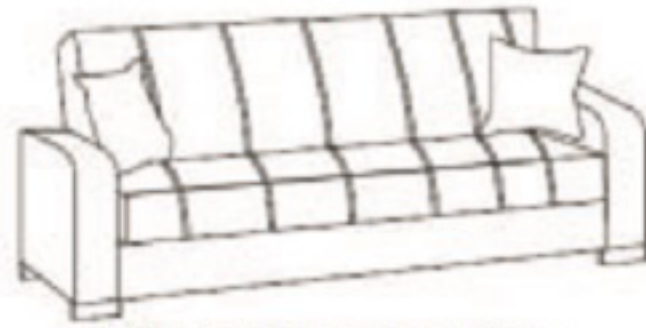


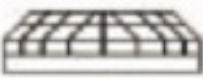
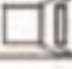




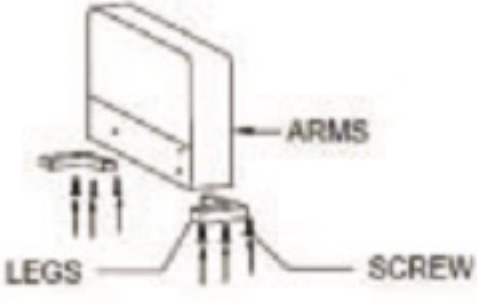


ANDY SOFABED



PART LIST

METARIALS LIST

NO.	DECSRIPTION	PART	QTY		METARIALS	QTY
A	ARM		2	A		6
B	MAIN PART		1	B		6
				C		4
				D		12
<p>1st :</p>  <p>MAIN PART</p>				<p>3rd :</p>  <p>RIGHT ARM</p> <p>LEFT ARM</p>		
<p>2nd :</p>  <p>ARMS</p> <p>LEGS</p> <p>SCREW</p>						