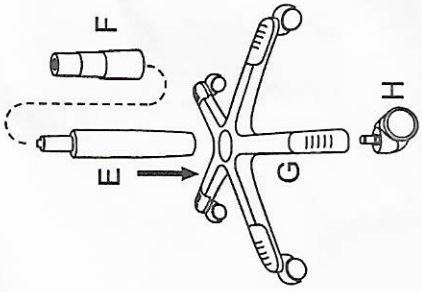
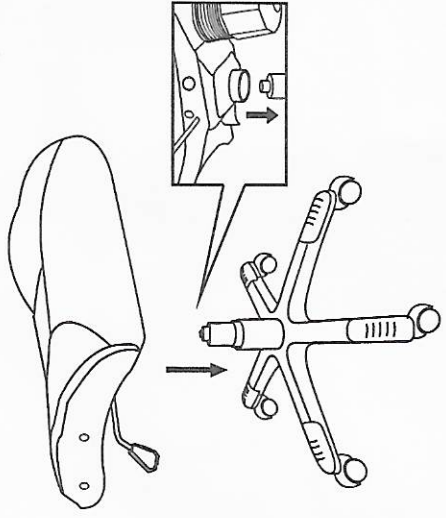


Ax1	Fx1
Bx1	Gx1
Cx1	Hx5
Rx1, Lx1	Ix12, M6*20
Dx1	Jx8
Ex1	Kx1

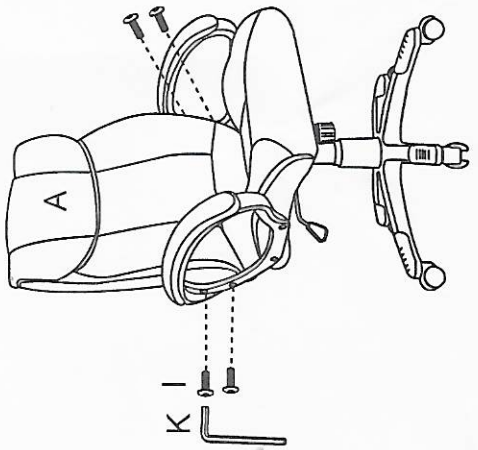
1.



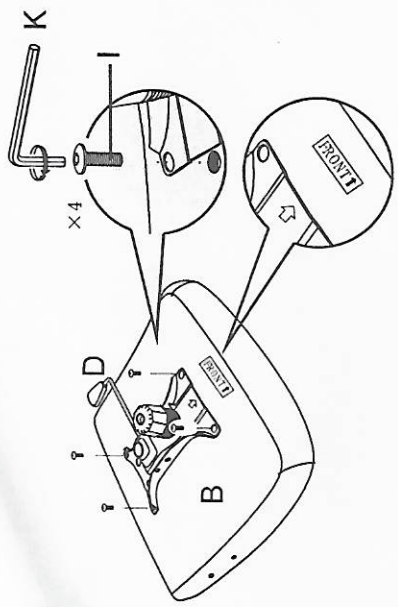
3.



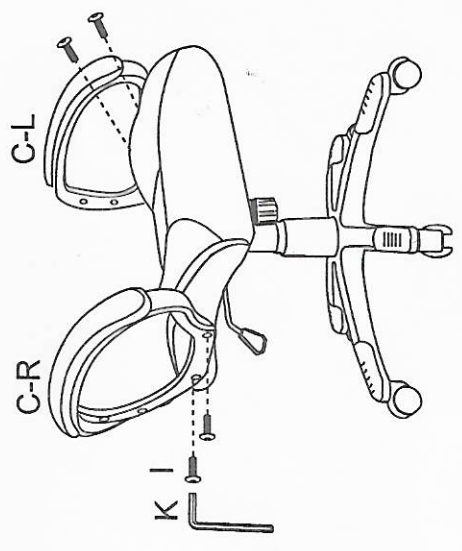
5.



2.



4.



6.

