

BACK

SEAT

MECHANISM

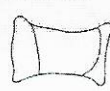
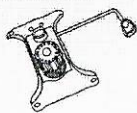
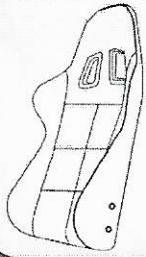
GAS LIFT COVER

HEADREST

ANGLE ADJUSTOR

CASTER

WRENCH



ARMRESTS

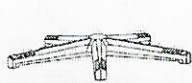
BASE

LUMBAR PILLOW

GAS LIFT

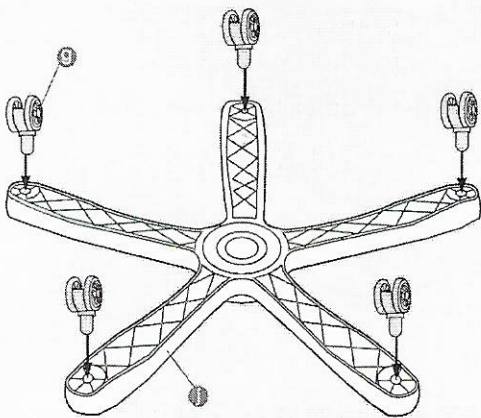
CONNECTOR

DUST COVER

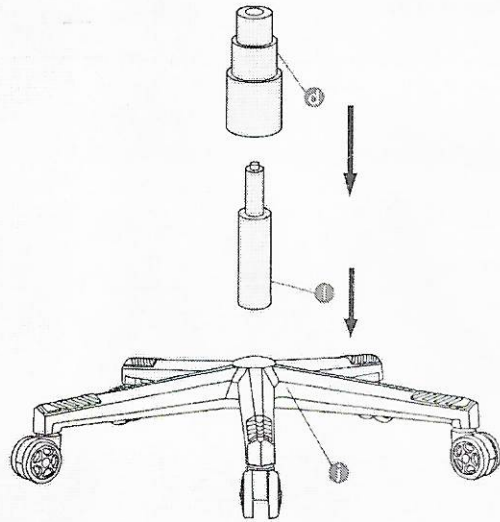


T	M5*8	4pcs
T	M8*20	8pcs
T	M8*25	8pcs
CAP	CAP	4pcs

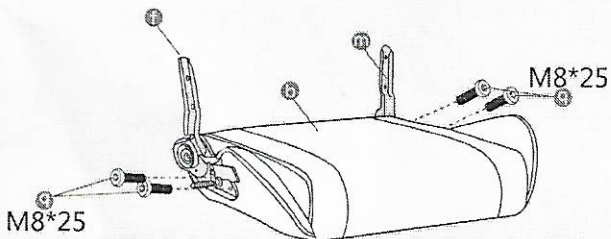
1 Place the base upside down and insert the casters into the bottom of the base.



2 Install gas lift and insert gas lift cover.

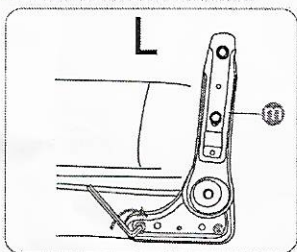
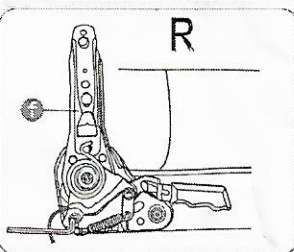


3 Align f & m with the holes of seat, then tighten screws.

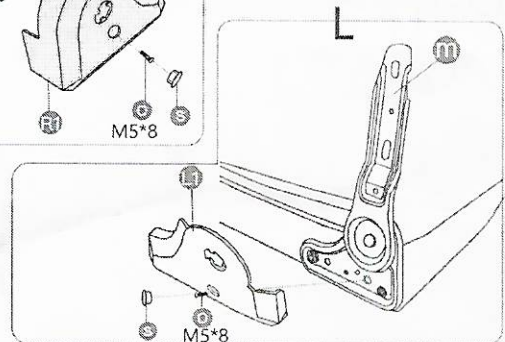
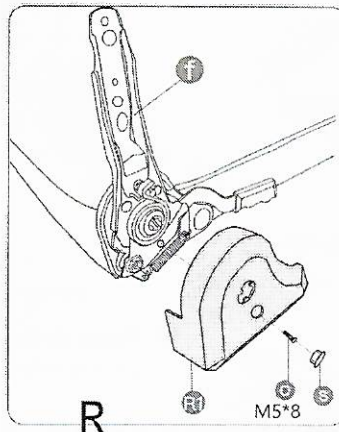


attention

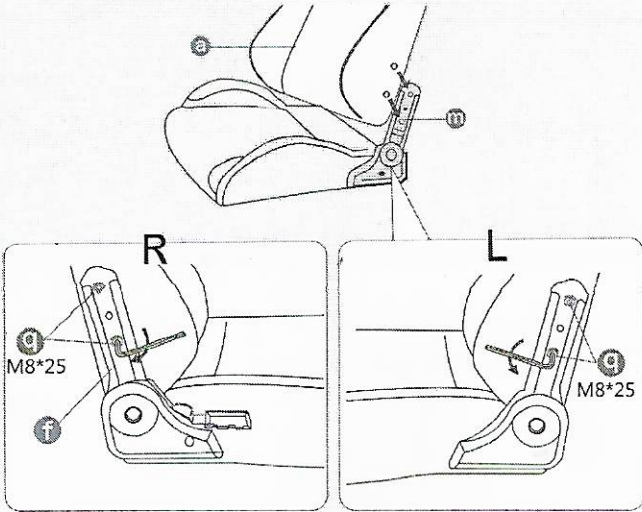
DO NOT tighten screws completely until all the screws are fixed in the correct position.



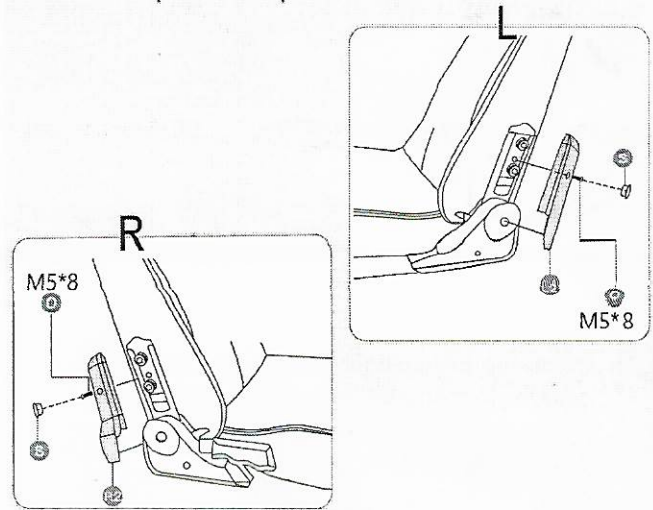
4 Put M5\*8 screw through the hole of f & m and tighten, then put the cap on.



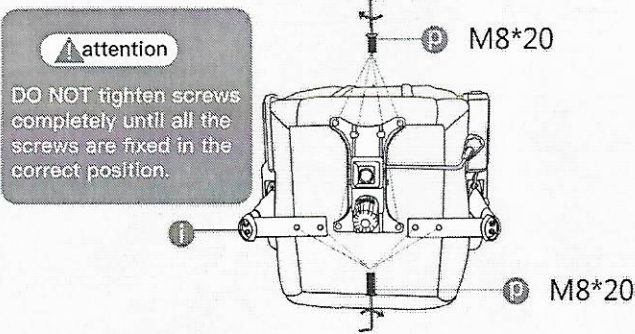
- 5** Align **f** & **h** with the holes of back, then tighten screws.



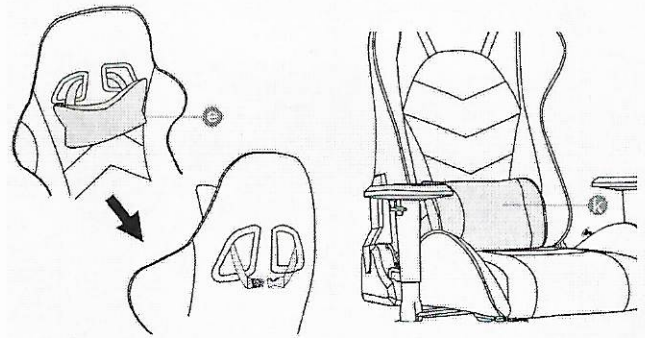
- 6** Install **R2** & **L2** with M5\*8 screw, then put the cap on.



- 7** Install the mechanism and armrests.

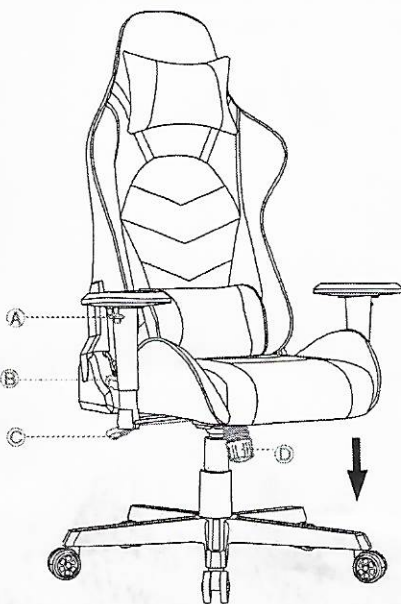


- 8** Attach the headrest & lumbar pillow.



- 9** Place the seat on the gas lift.

**Functions**



- A** Lift up the button on the side of the arm to adjust the arm height, raise or lower to the desired position.

- B** Lift the handle to recline and release it to any desired position. Rest on the backrest when resetting back to its normal position, otherwise the backrest may rebound rapidly.

- 1** Pull upward on lever to achieve height adjustment.  
**2** Push in to lock, pull out to unlock the tilt of the chair.

- D** Adjust the tilt angle with the tilt-tension knob underneath the seat. Turn it clockwise to decrease the angle, counterclockwise to increase the angle.

