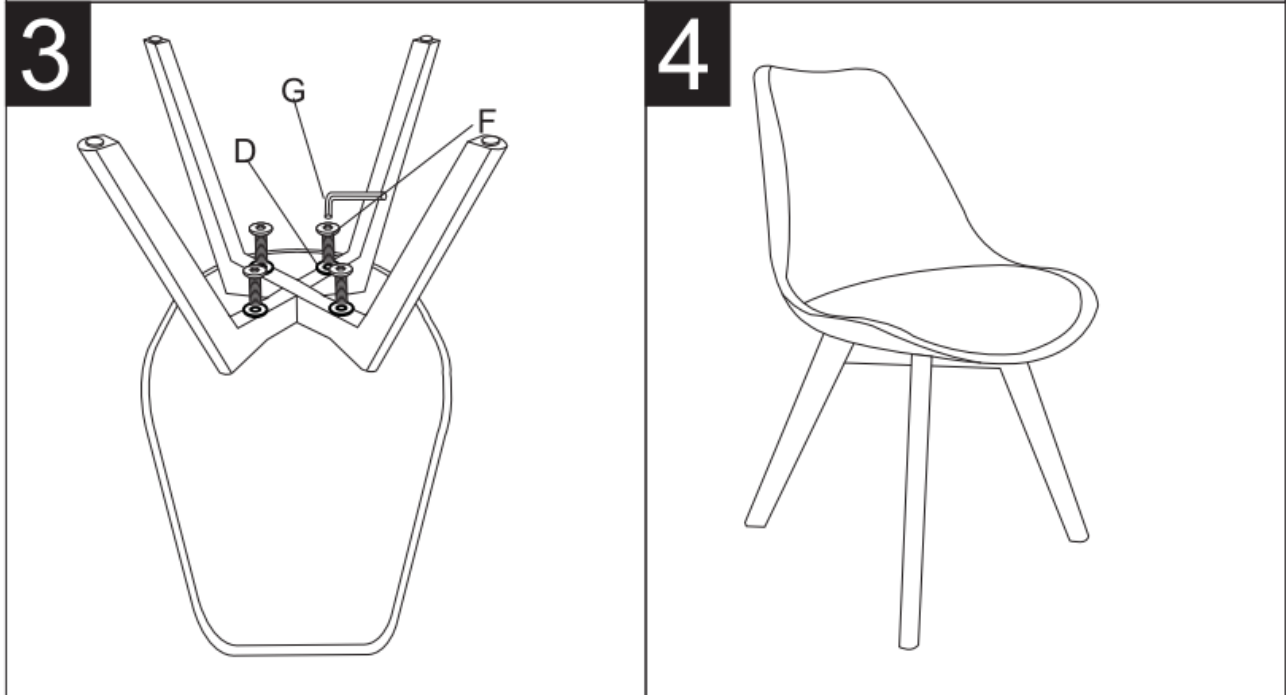
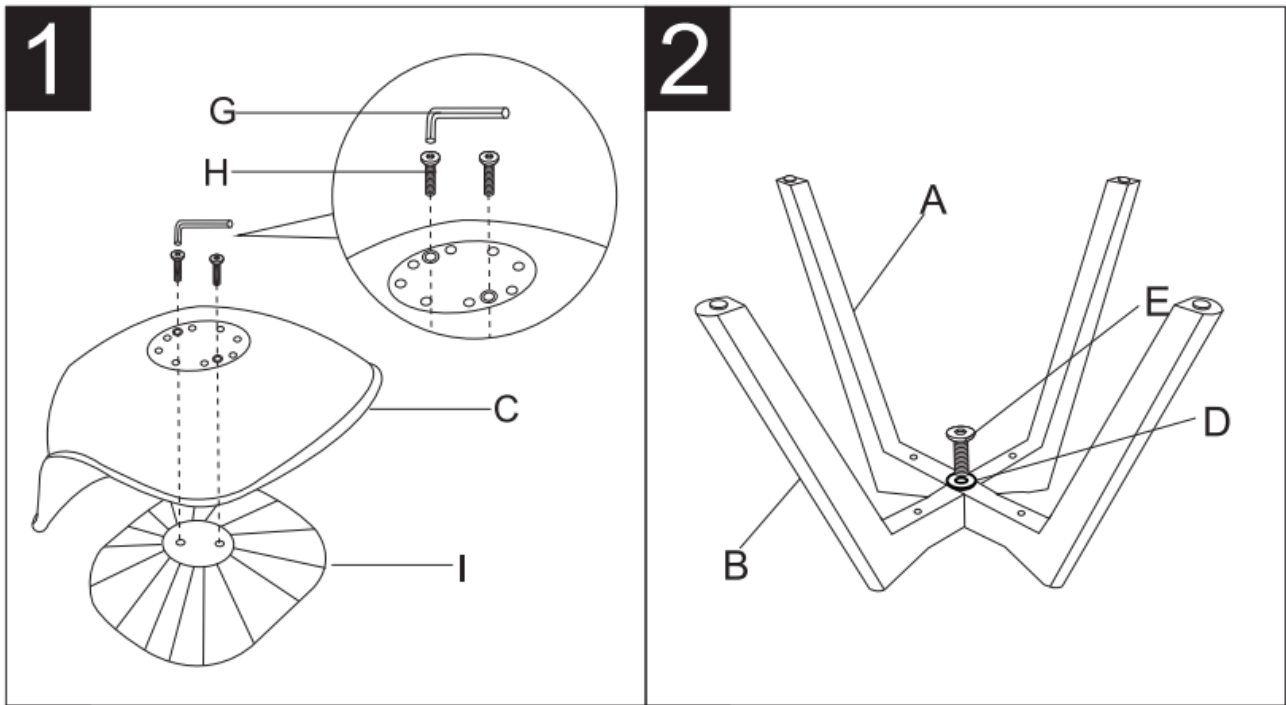


ASSEMBLY INSTRUCTIONS



| | | | | |
|--------|------|--------|------|--------|
| A x1 | B x1 | C x1 | D x5 | E x1 |
| | | | | |
| | | | | 6*40MM |
| F x4 | G x1 | H x2 | I x1 | |
| | | | | |
| 6*55MM | | 6*23MM | | |

