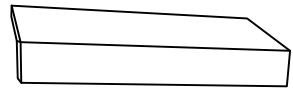


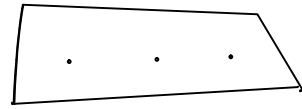
ASSEMBLY INSTRUCTIONS

PARTS AND HARDWARE

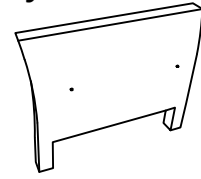
Avoid using sharp objects such as a knife to cut open packing as you may accidentally damage the upholstery.



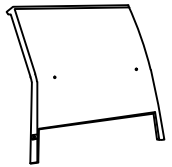
A.1x



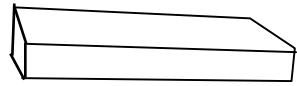
B.1x



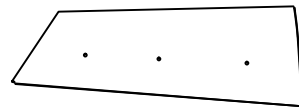
C.1x



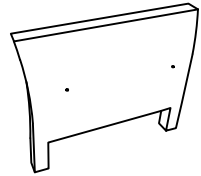
D.1x



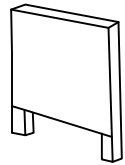
E.1x



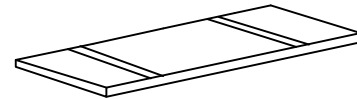
F.1x



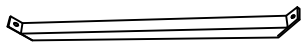
G.1x



J.2x



K.1x



L.1x



M.13x
M6X40mm



N.15x
M6X35mm



O.4x
M6X30mm



P.8x
M6X20mm



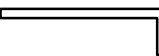
Q.1x



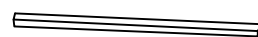
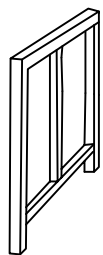
R.2x



S.1x



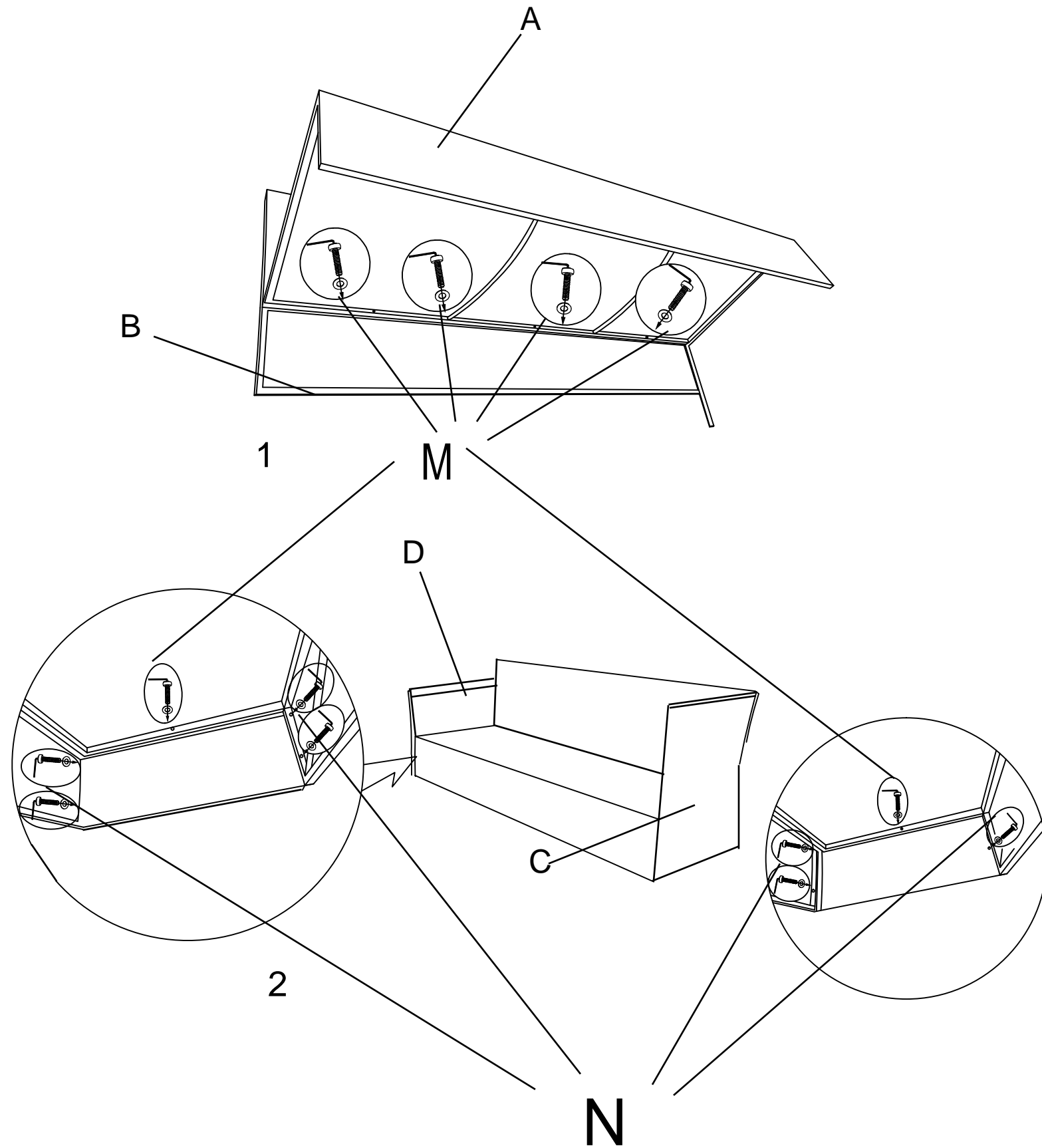
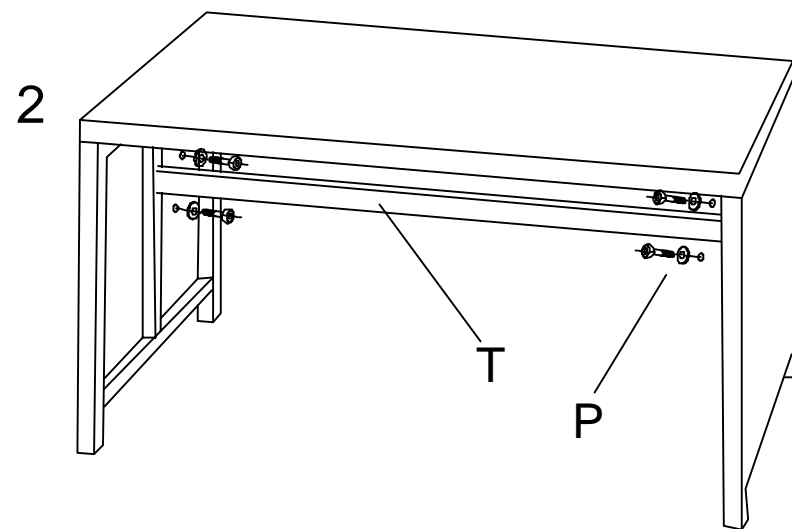
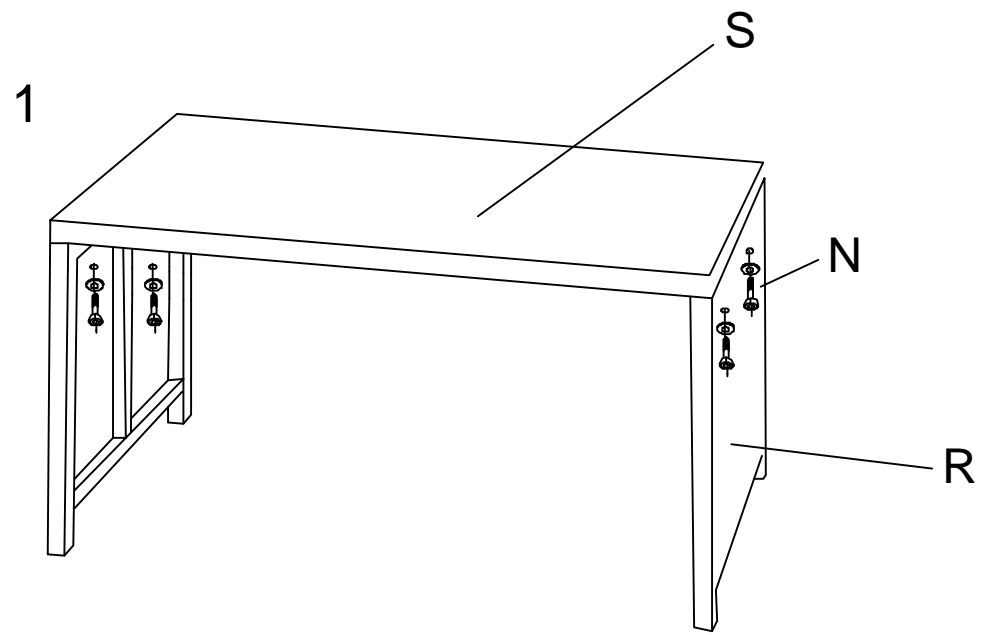
T.1x



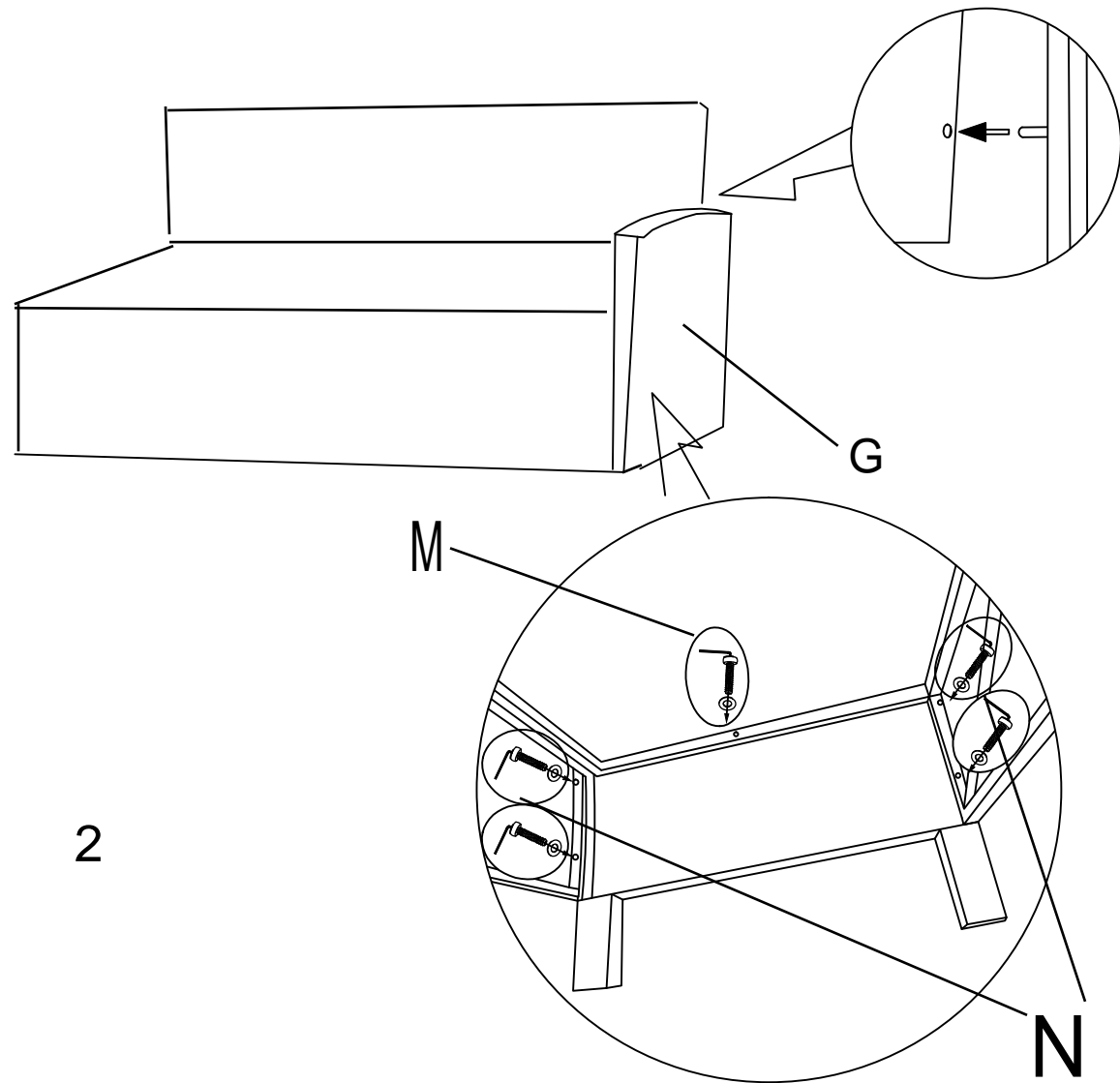
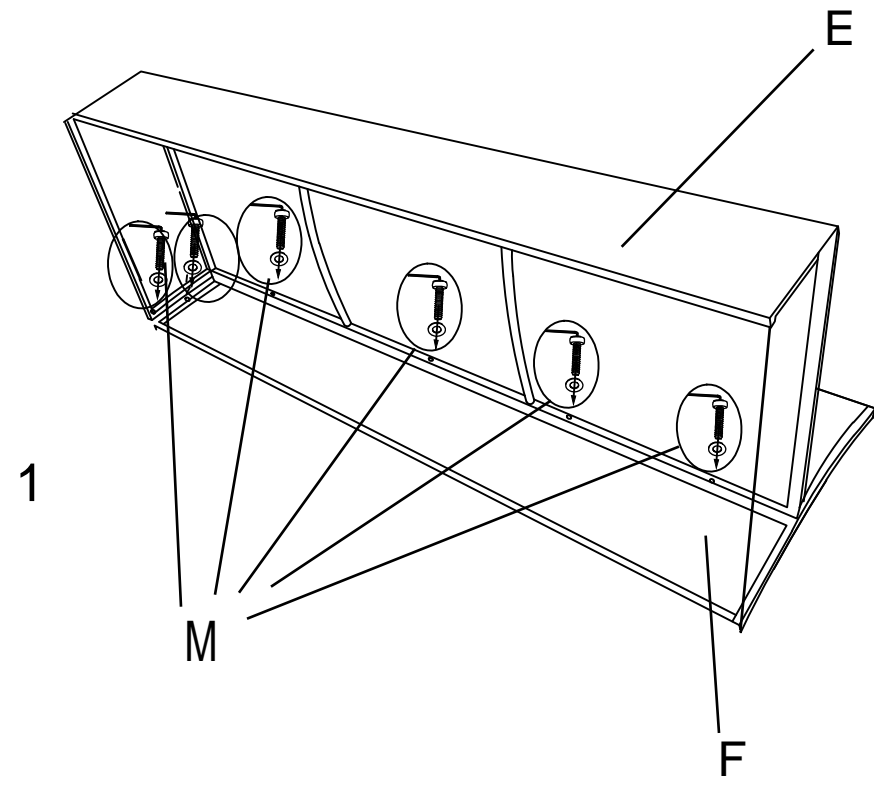
Bench

Do not fully tighten bolts until assembly is complete.

3seat corner sofa



3seat sofa



Dining table

