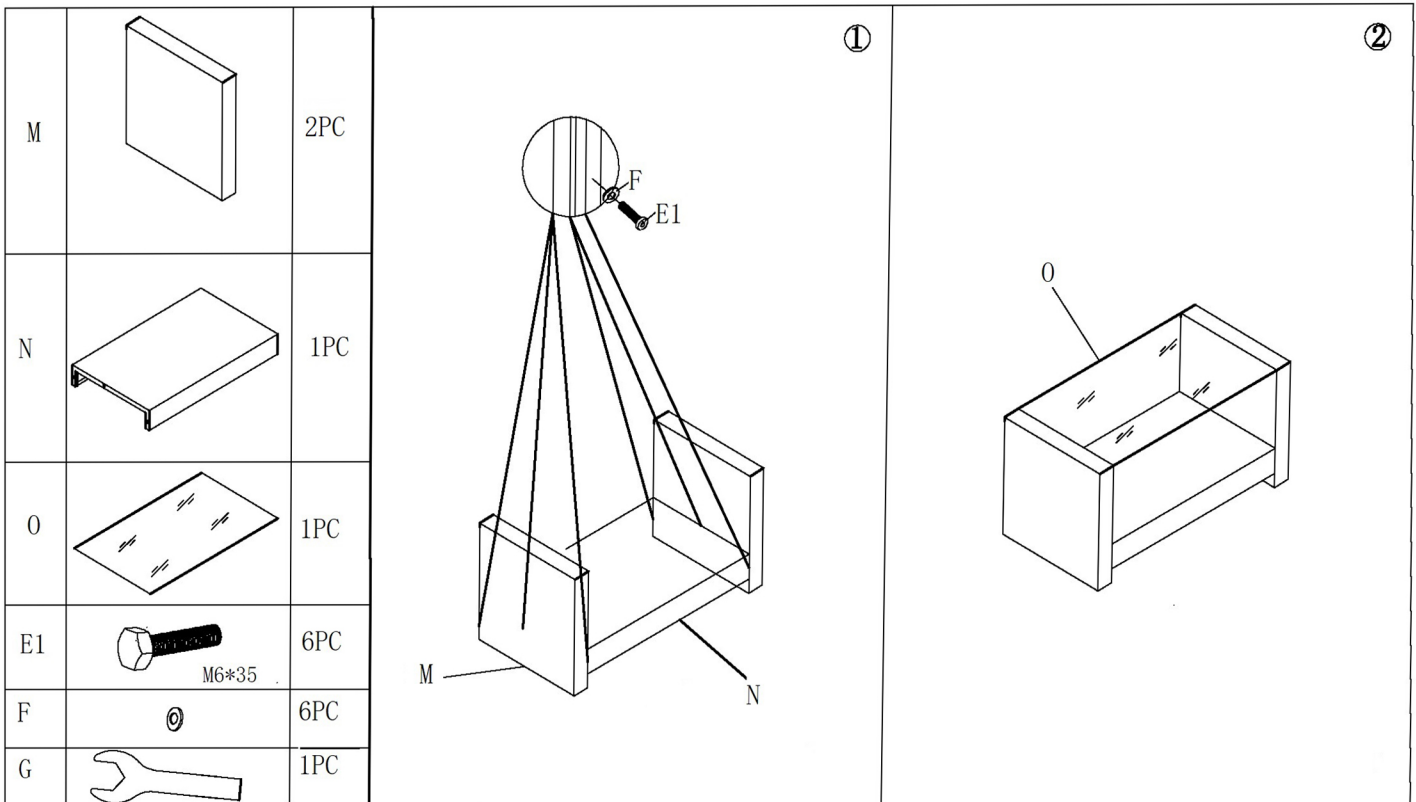
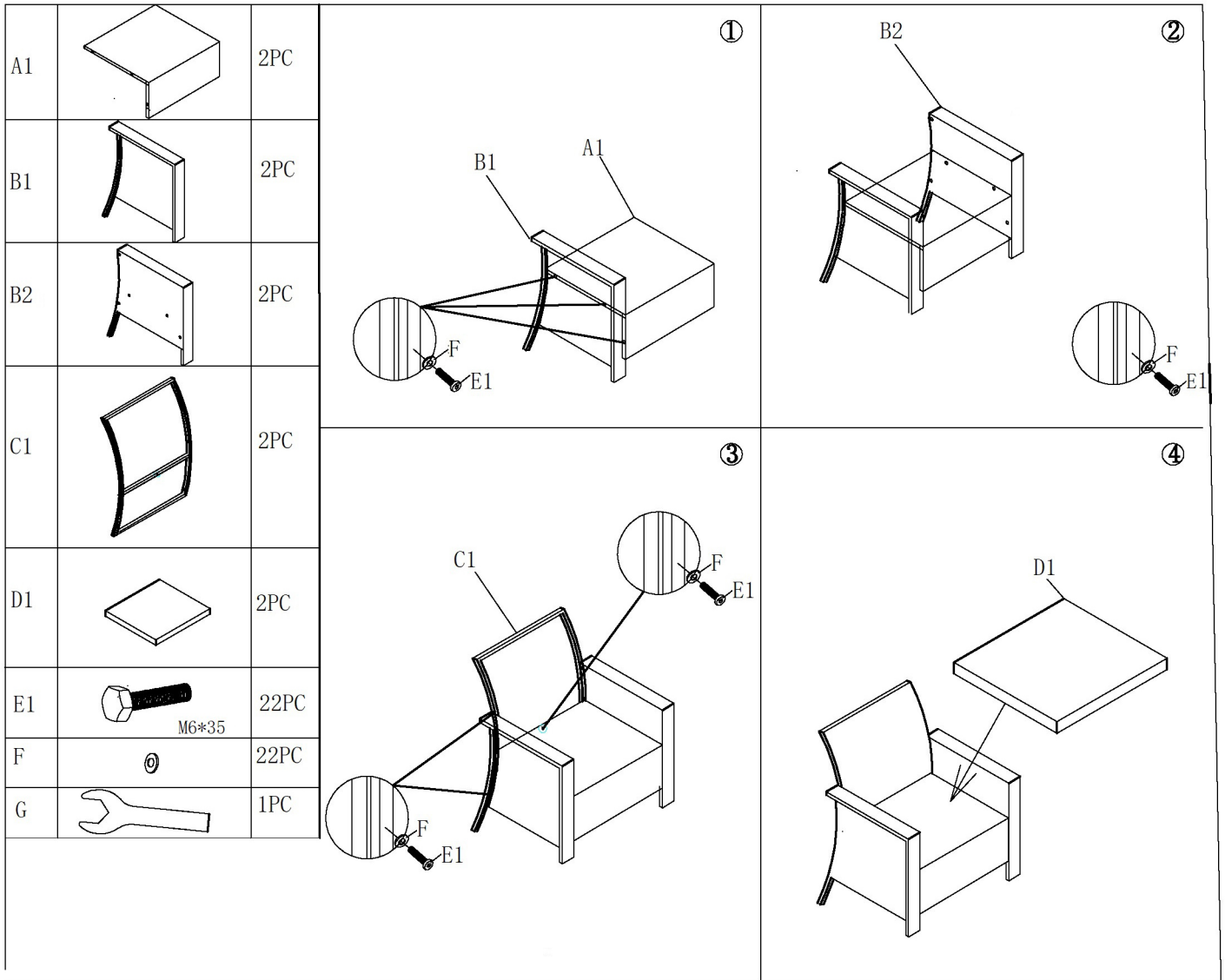


A2		1PC	<p>①</p>	<p>②</p>
B1		1PC		
B2		1PC		
C2		1PC	<p>③</p>	<p>④</p>
D2		1PC		
E1	 M6*35	12PC		
F		12PC		
G		1PC		



IMPORTANT: RETAIN FOR FUTURE REFERENCE. READ CAREFULLY!

PLEASE NOTE: ALWAYS ASSEMBLE ALL PARTS LOOSELY BEFORE FINALLY TIGHTENING ANY BOLTS OR FIXINGS.