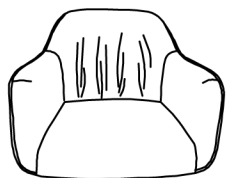
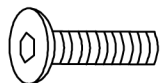


A x1

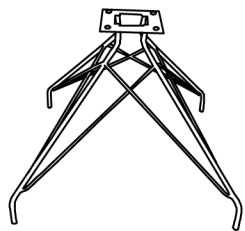


D x4



M6*20mm

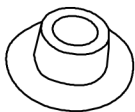
B x1



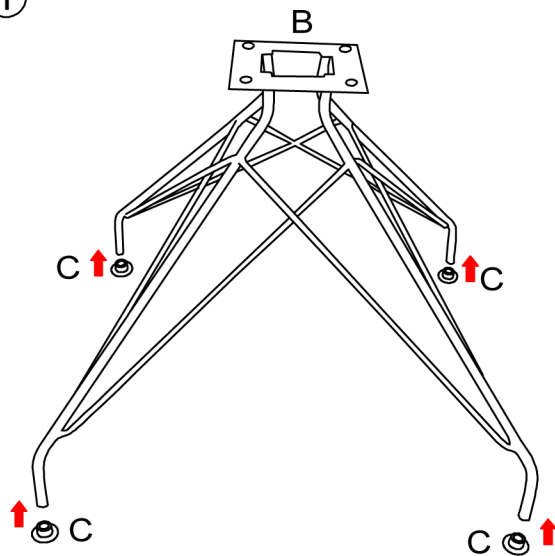
E x1



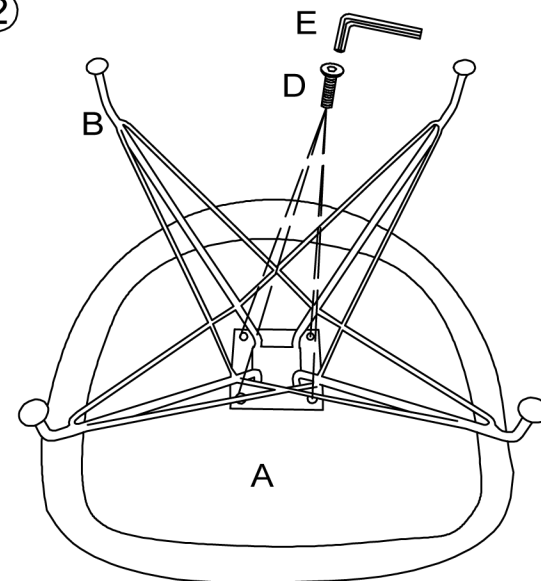
C x4



①



②



③

