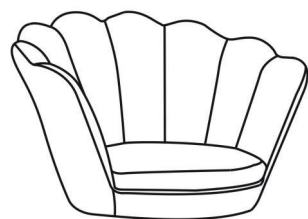


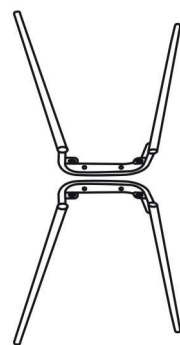
(1) X1



(5) X2



(2) X1RX1L



(6) X2



(3) X4

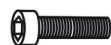


M6\*20MM

(7) X1

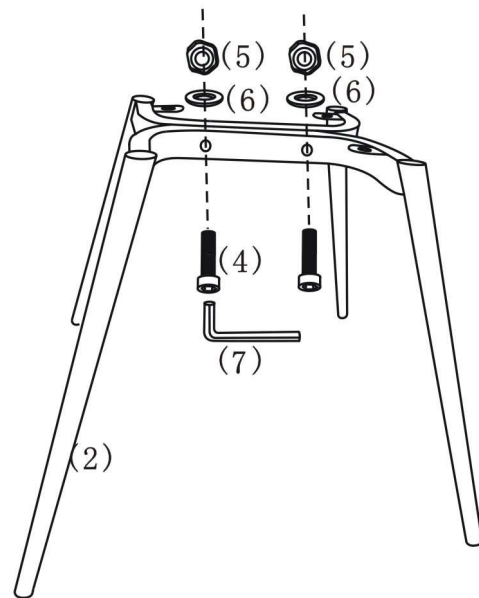


(4) X2

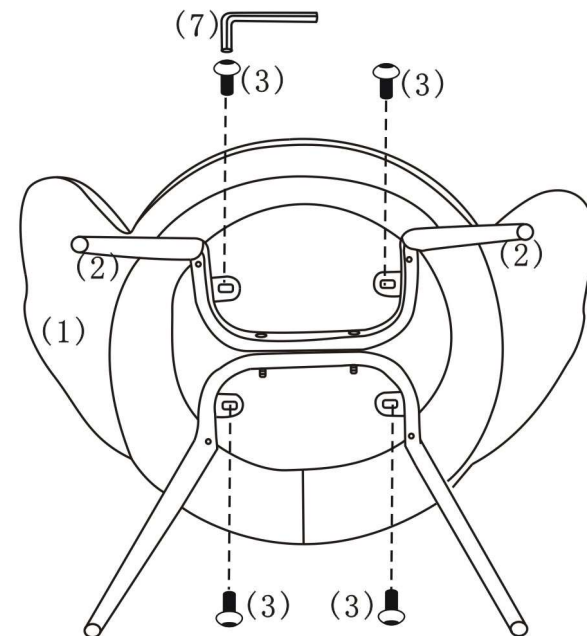


M8\*50MM

1



2



3

