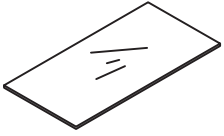


ASSEMBLING INSTRUCTION

1.X1PC



2.X4PCS



A.X12PCS



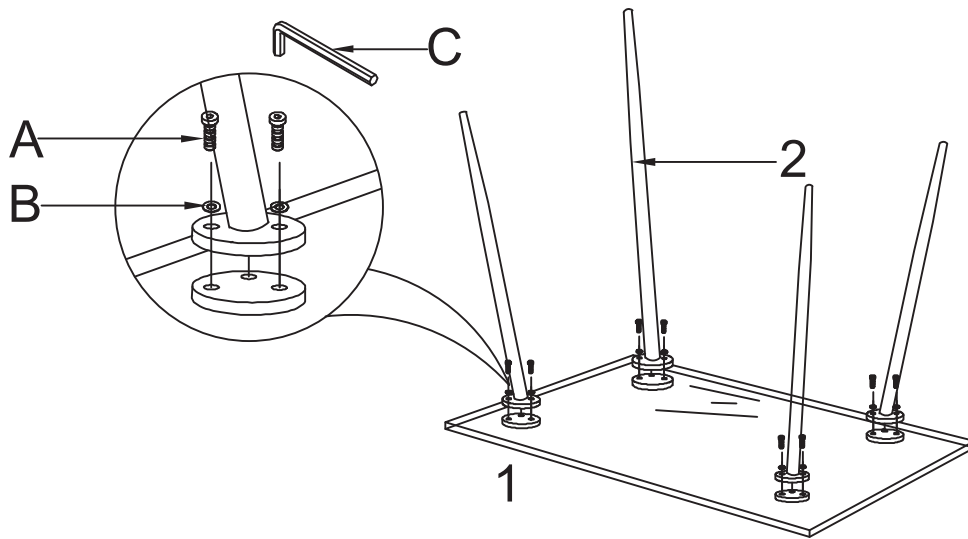
B.X12PCS



C.X12PCS



1



2

