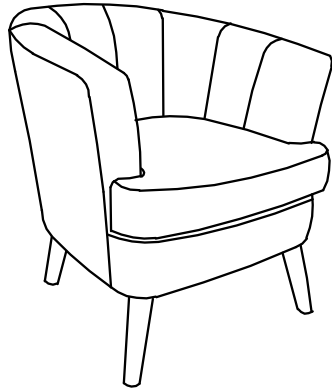
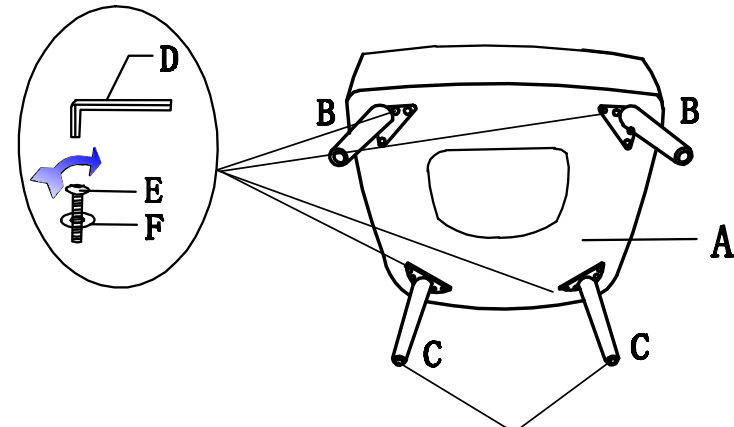


ASSEMBLY INSTRUCTION



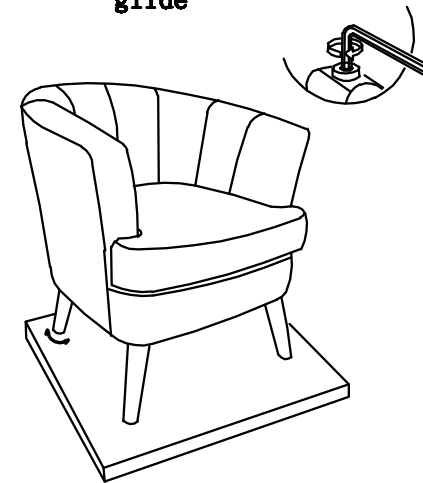
STEP 1: Please don't tighten the bolts at this step.



STEP 2:

Please put the assembled chair on a flat surface, make sure four legs are on the same level. Then tighten the bolts.

Ad justable glide



ITEM	PART	NAME	QUANTITY
(A)		SEAT	1
(B)		FRONT LEGS (LONG)	2
(C)		BACK LEGS (SHORT)	2
(D)		ALLEN KEY	1
(E)		BOLT	16
(F)		WASHER	16

NOTE:

PLEASE PUT THE CHAIR ONTO A SOFT AND CLEAN SURFACE FOR ASSEMBLY.