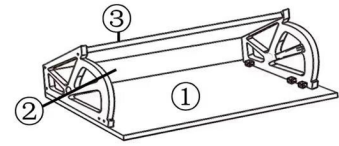
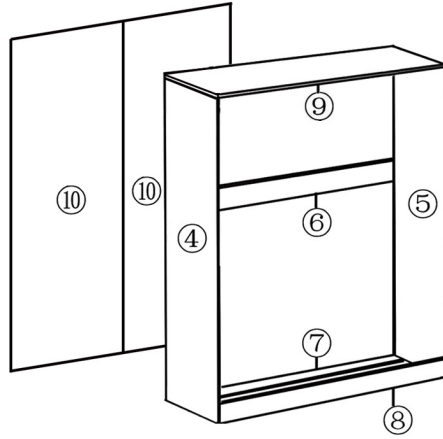
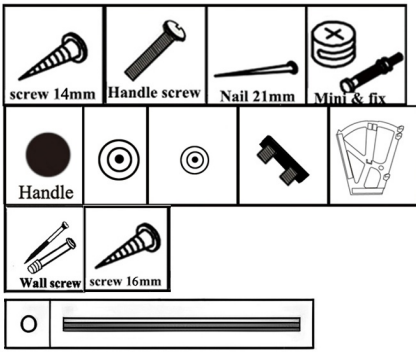
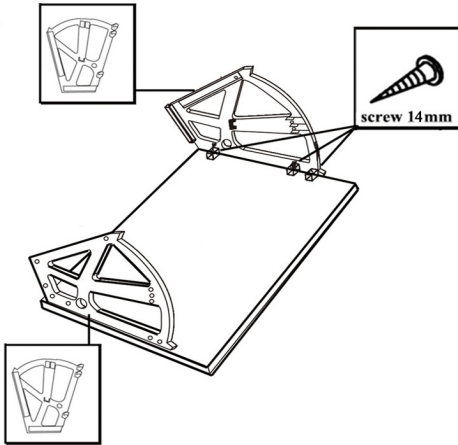


SCK29

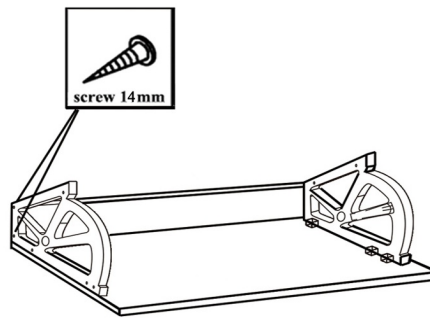
HARDWARE



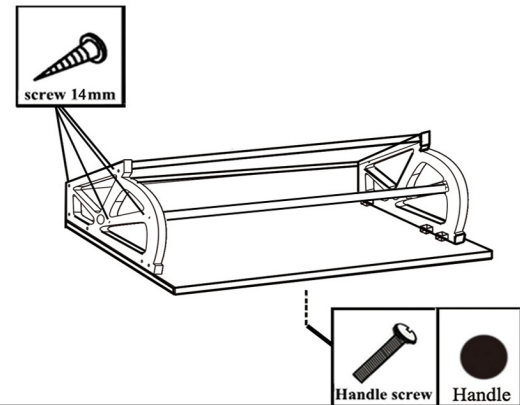
Step:1



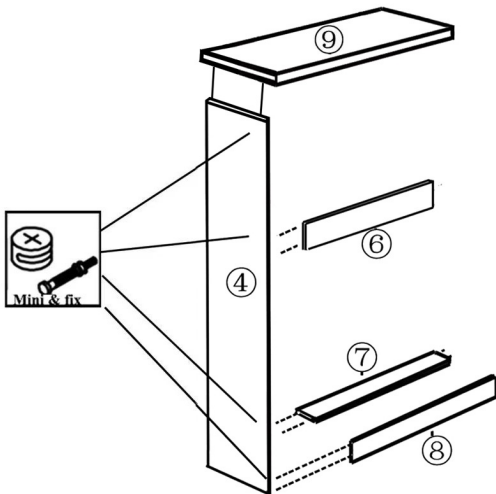
Step:2



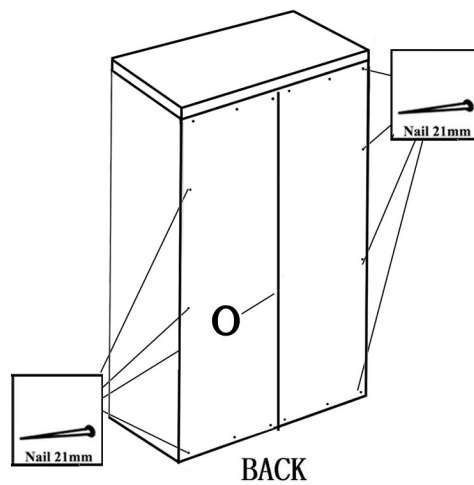
Step:3



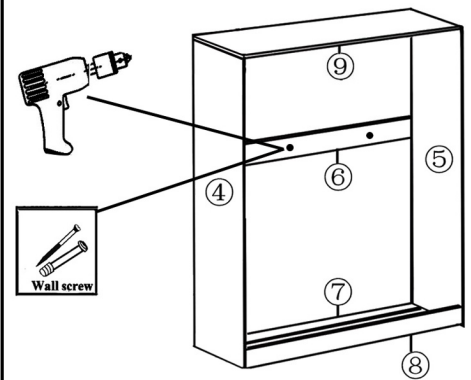
Step:4



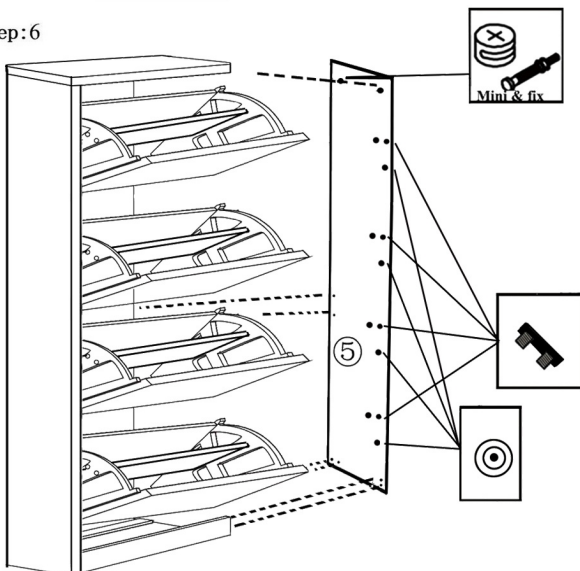
Step:5



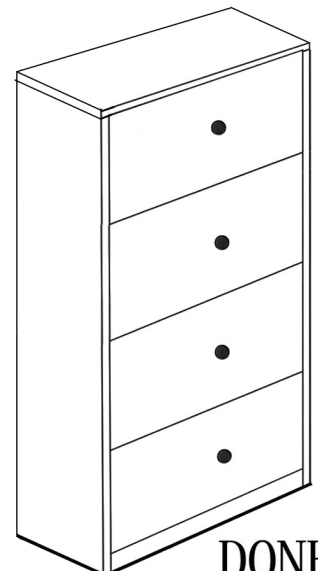
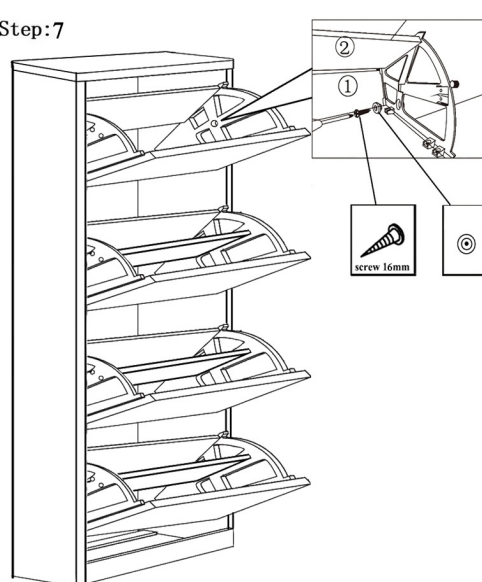
Fasten the cabinet to the wall



Step:6



Step:7



DONE