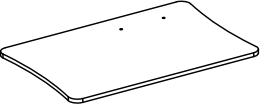


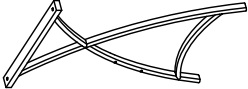
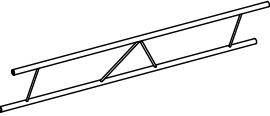
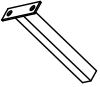



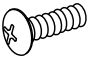
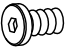








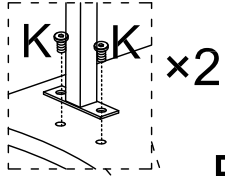
| | | | | | |
|----------|--|-------|----------|--|------|
| A |  | 1PC | B |  | 1PC |
| C |  | 1PC | D |  | 2PCS |
| E |  | 1PC | F |  | 2PCS |
| G |  | 1PC | H |  | 1PC |
| I |  | 4PCS | J |  | 8PCS |
| K |  M6×12mm | 4PCS | L |  M6×25mm | 4PCS |
| M |  M6×35mm | 2PCS | N |  M6×40mm | 4PCS |
| O |  M4×12mm | 12PCS | |  4mm | 1PC |

ASSEMBLY INSTRUCTION

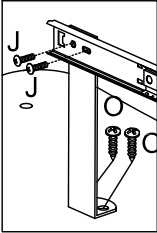
DO NOT TIGHTEN SCREWS UNTIL COMPLETELY ASSEMBLED



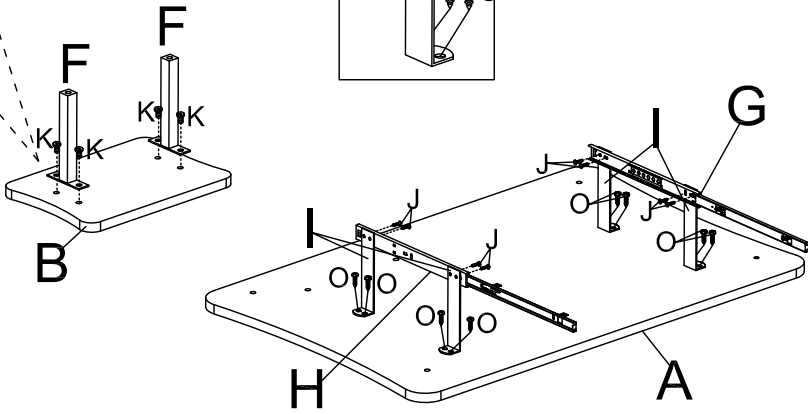
1



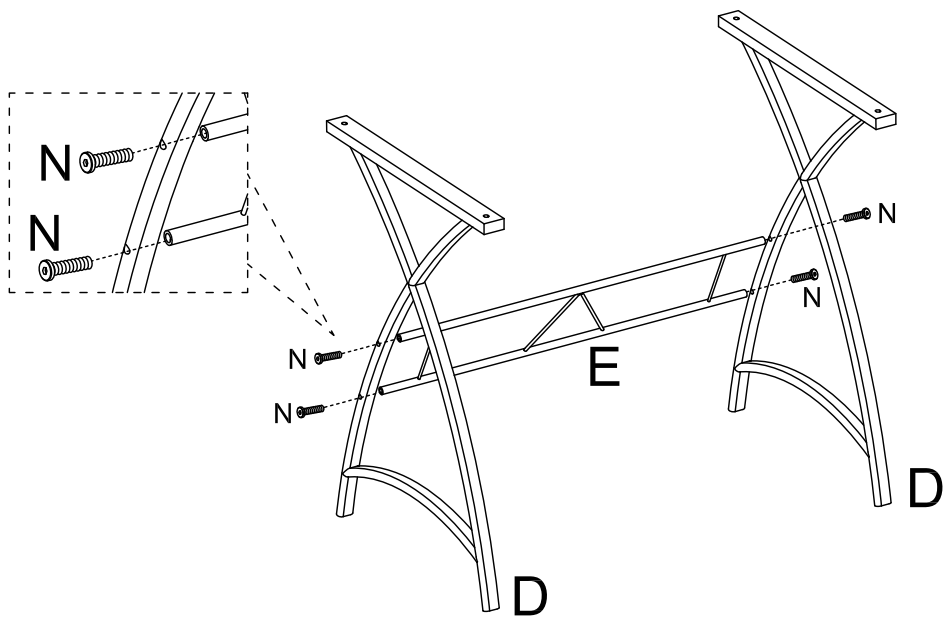
×2



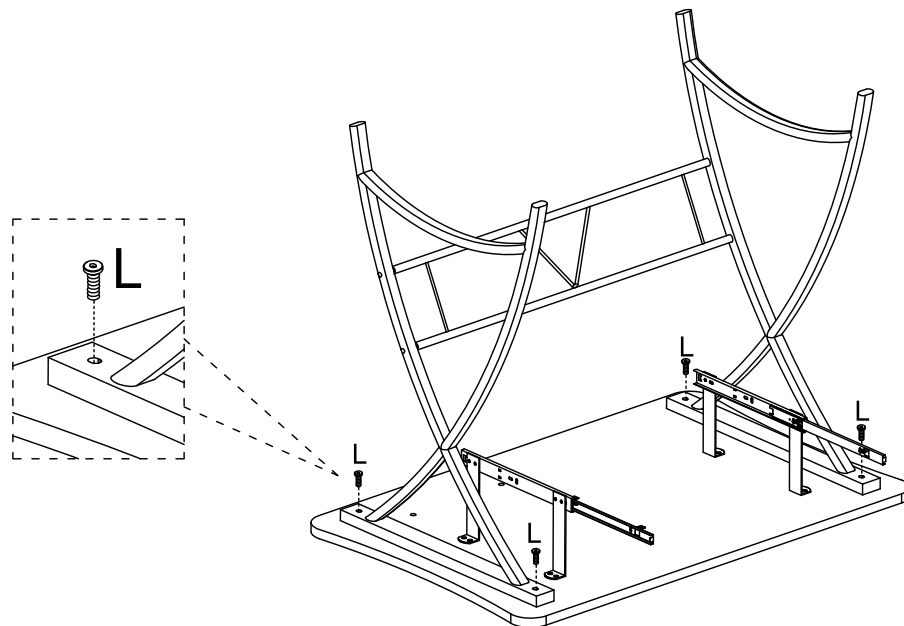
×4



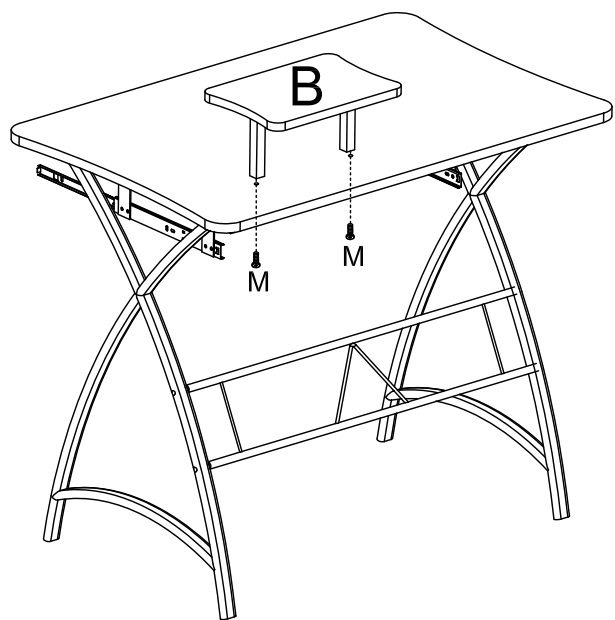
2



3



4



5

