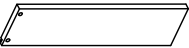
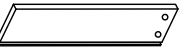
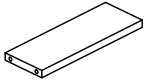
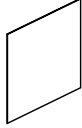
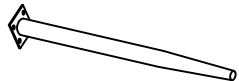

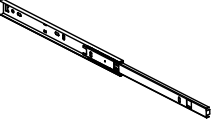
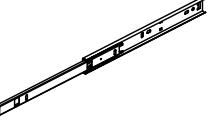



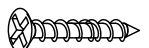
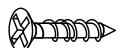

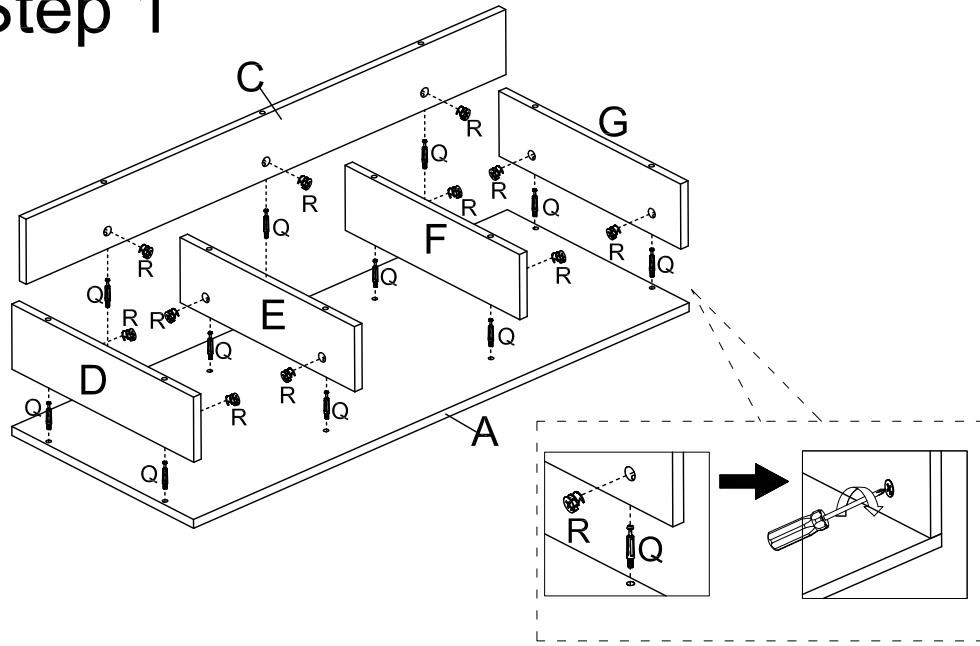
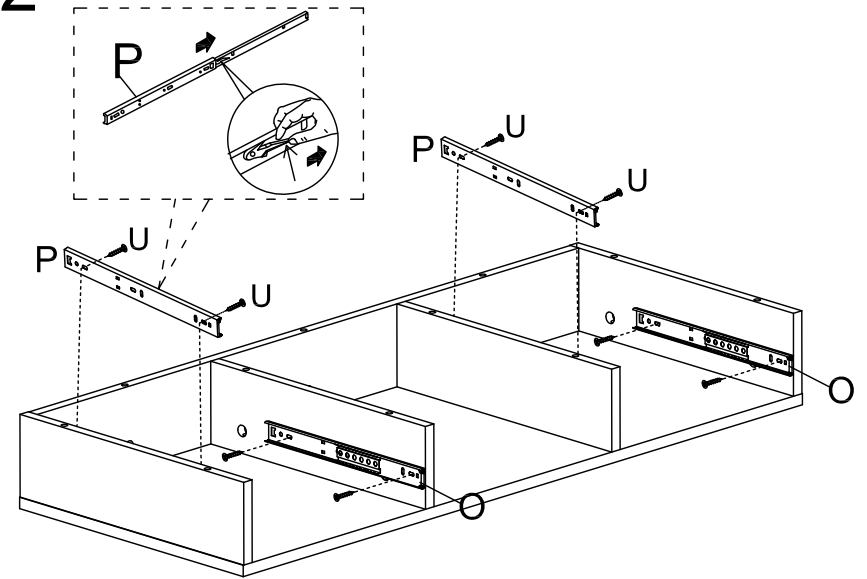

A×1PC	B×1PC	C×1PC	D×1PC	E×1PC	F×1PC	G×1PC	H×2PCS
							
I×2PCS	J×2PCS	K×2PCS	L×2PCS	M×4PCS	M6×12mm N×16PCS	O×2PCS	P×2PCS
							
Q×19PCS	R×19PCS	S×11PCS	T×8PCS	U×16PCS	4mm V×1PC		

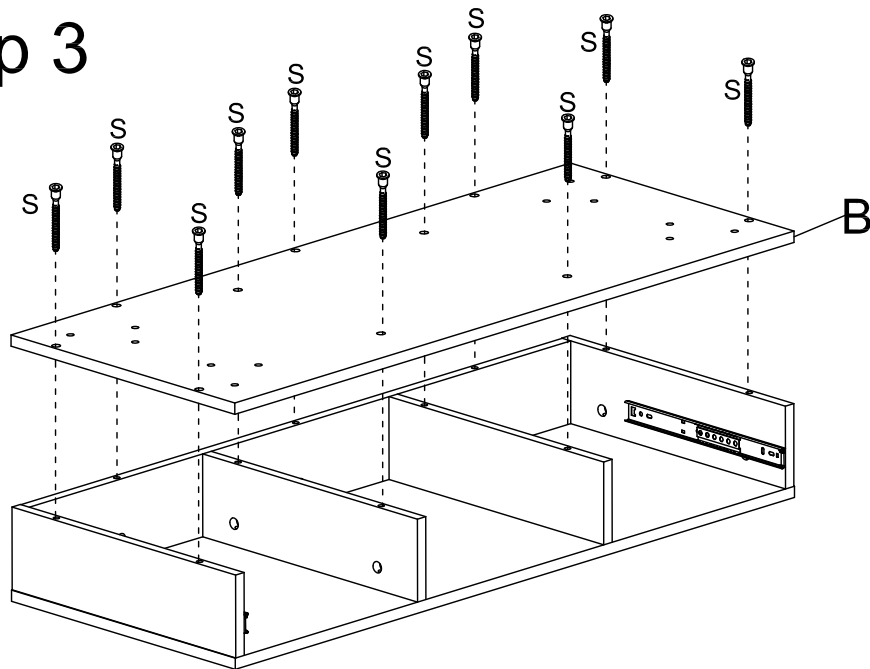
Step 1



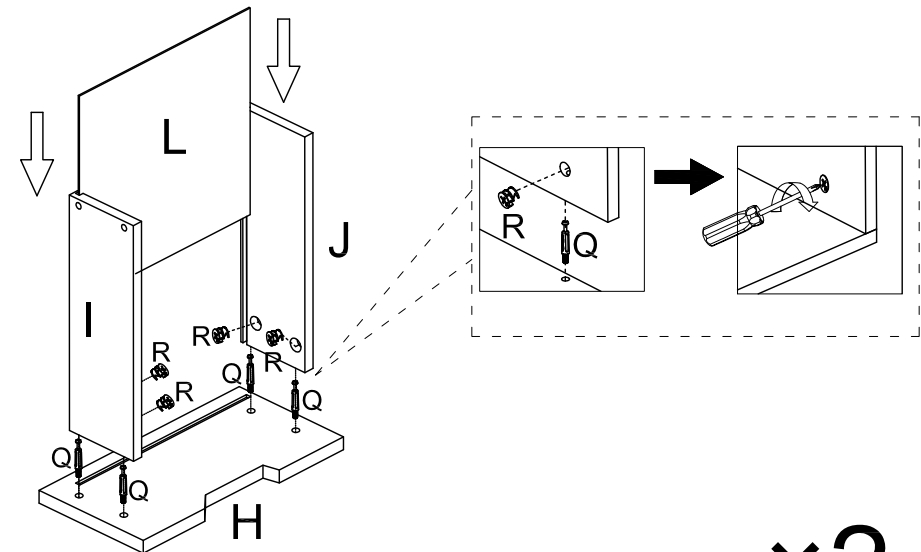
Step 2



Step 3

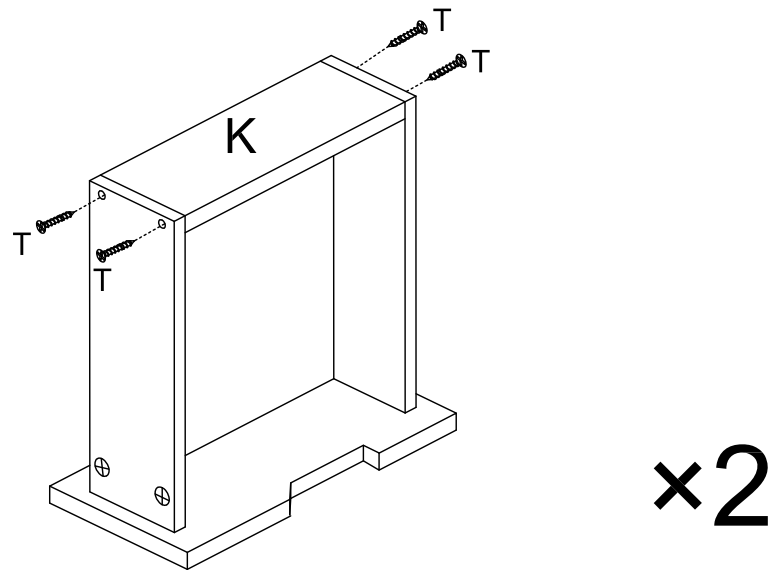


Step 4

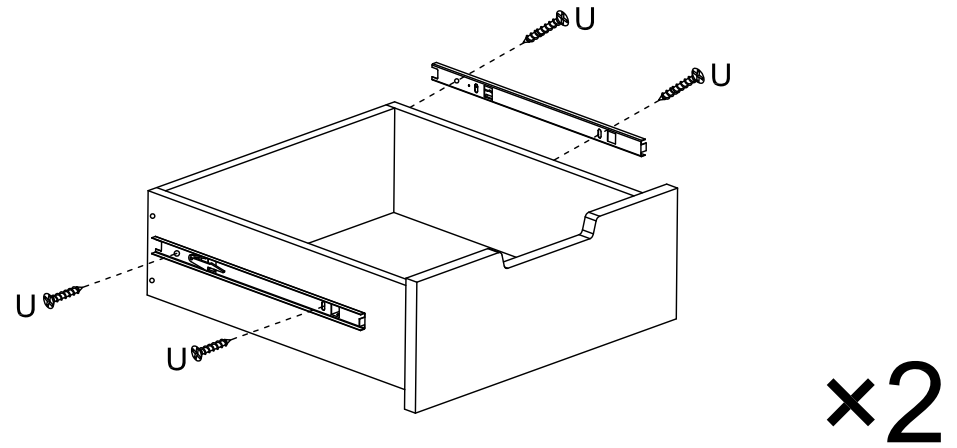


×2

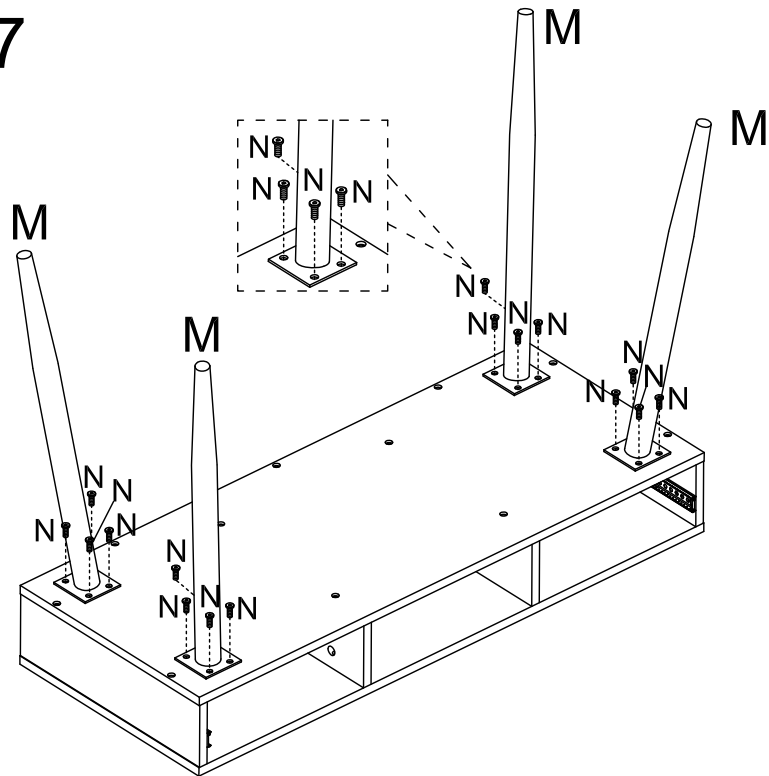
Step 5



Step 6



Step 7



Step 8

