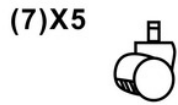
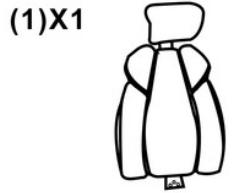


# ASSEMBLY INSTRUCTION



(8)X4(6X18mm)



(9)X3



(10)X3



(11)X3



(12)X2



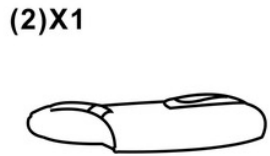
(13)X2(6x25MM)



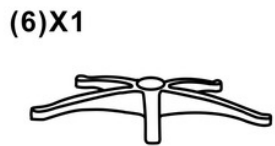
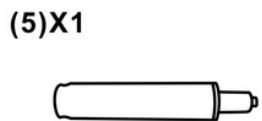
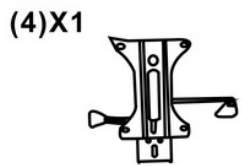
(14)X6(6x30MM)



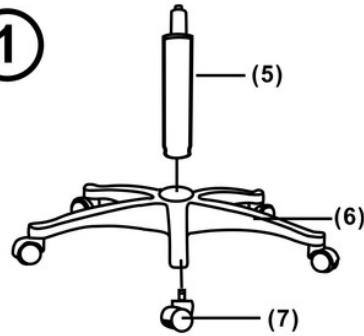
(15)X1



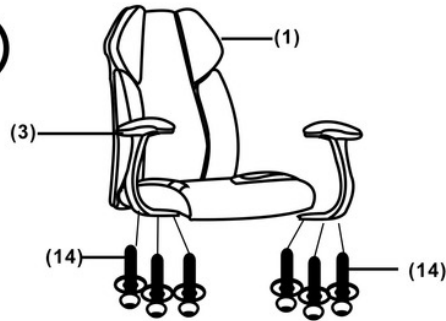
(3)X1(L)X1(R)



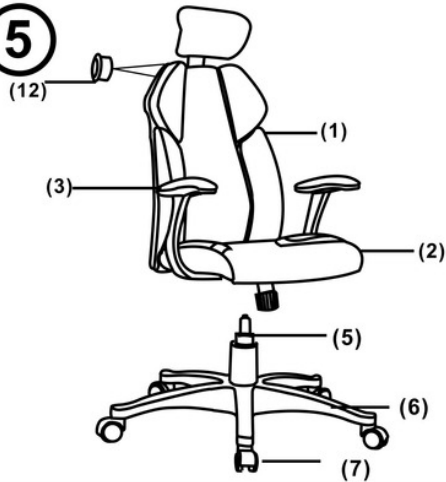
①



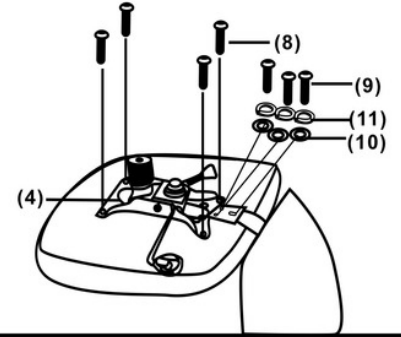
③



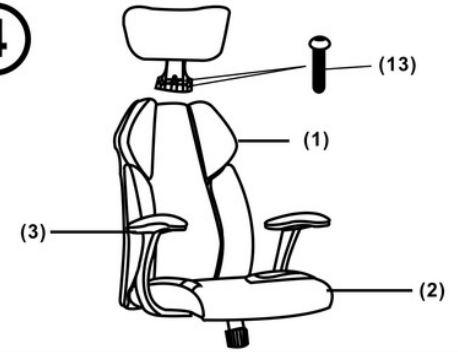
⑤



②



④



⑥

