
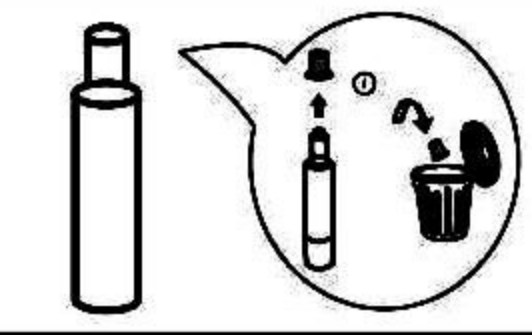

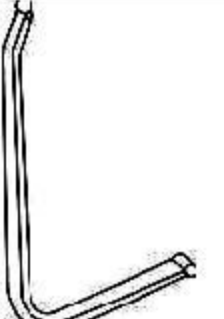

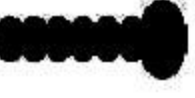




Assembling Instruction

Notice d'assemblage Instrucciones de montaje

| | | |
|--|---|--|
| (1) bass/ piement/base | (2) gas column/ pied réglable/ pie regulable a gas | (3) back/ Dossier/respaído |
|  |  |  |
| (4) Arm/accoudoir /apoyabrazos | | |
|  X2 | | |

| | | | |
|-----|--|-------------|--|
| (5) | 1.  | X1 5MM | |
| | 2.  | X4 (8X60)MM | |
| | 3.  | X4 | |
| | 4.  | X5 | |

