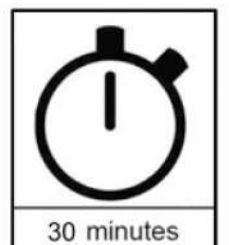
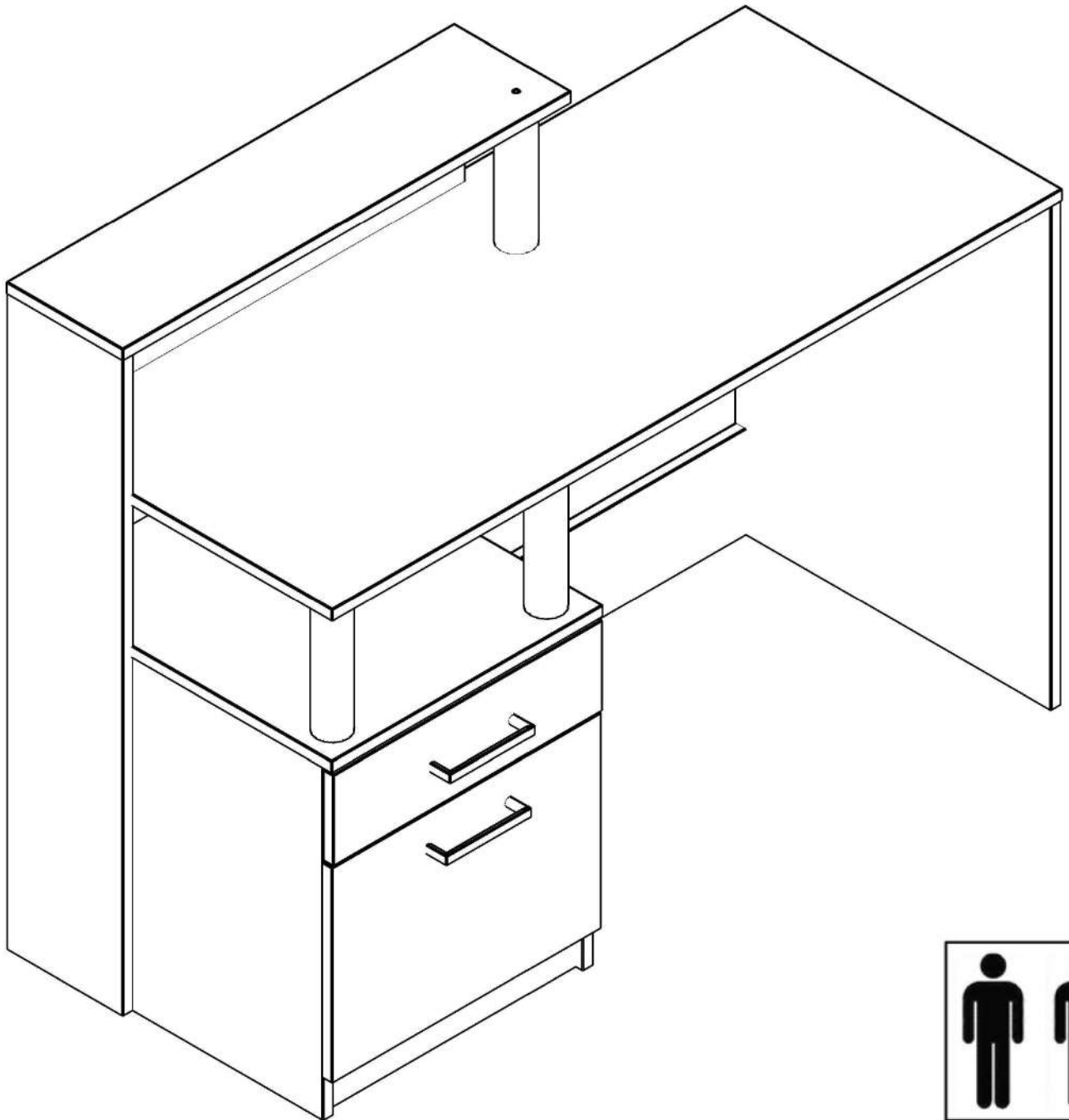
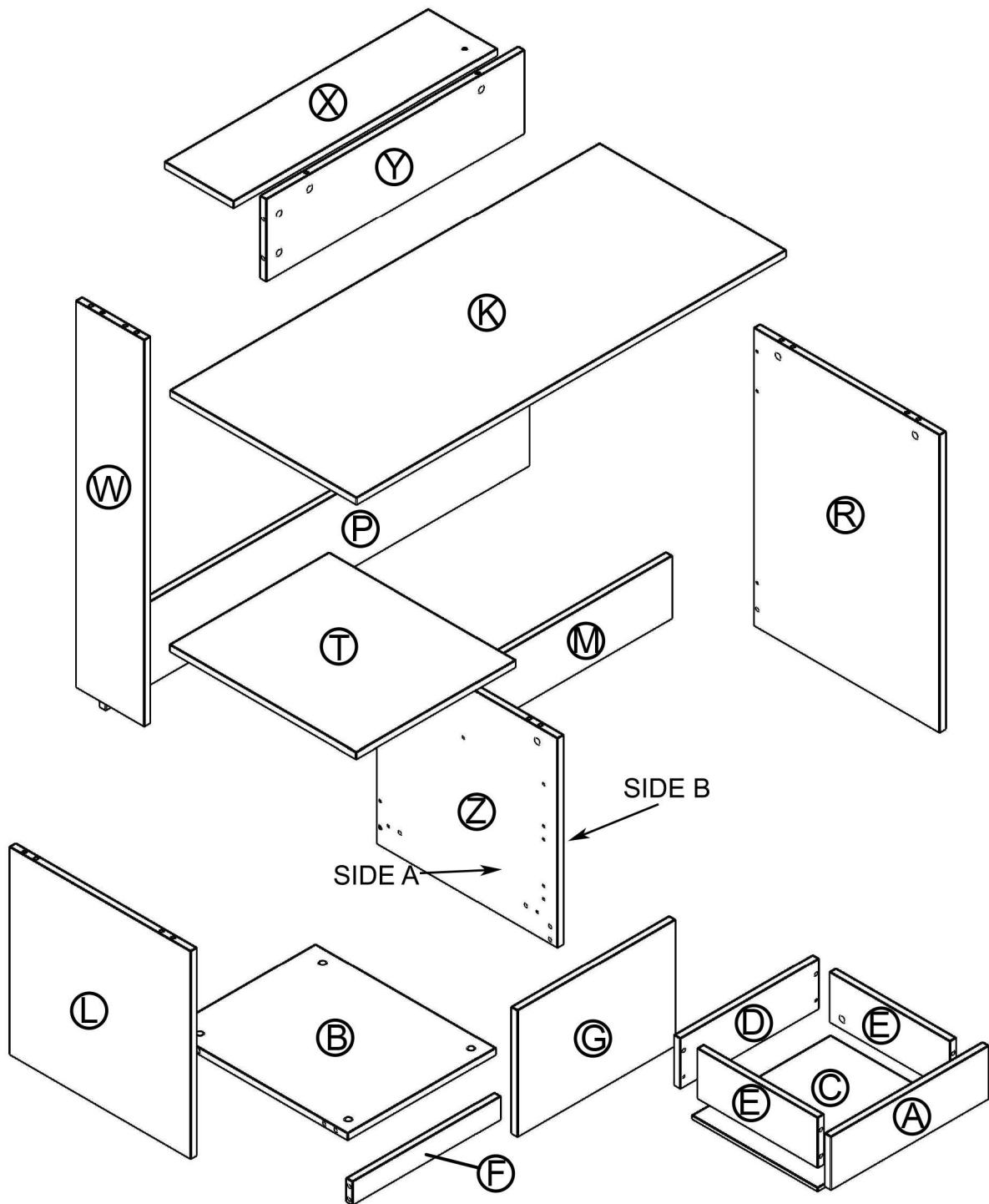
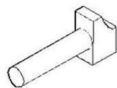
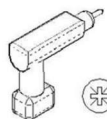
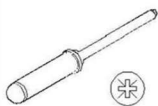




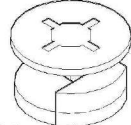
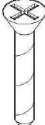

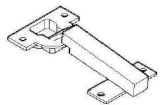
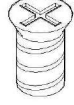

GRK506



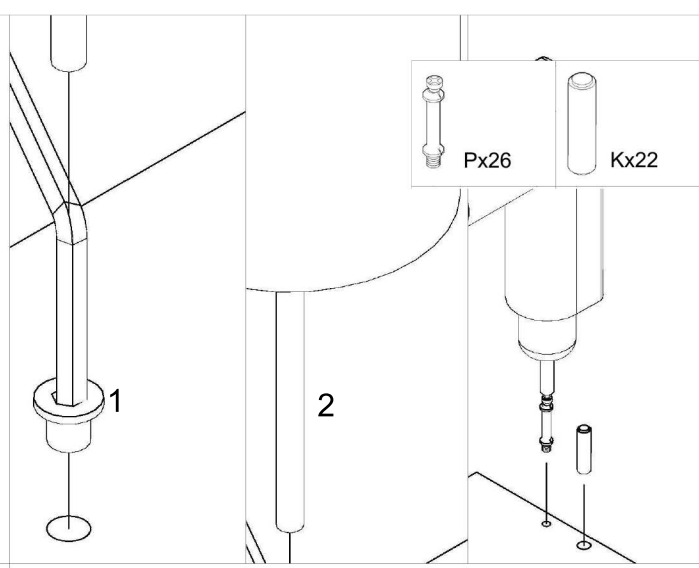
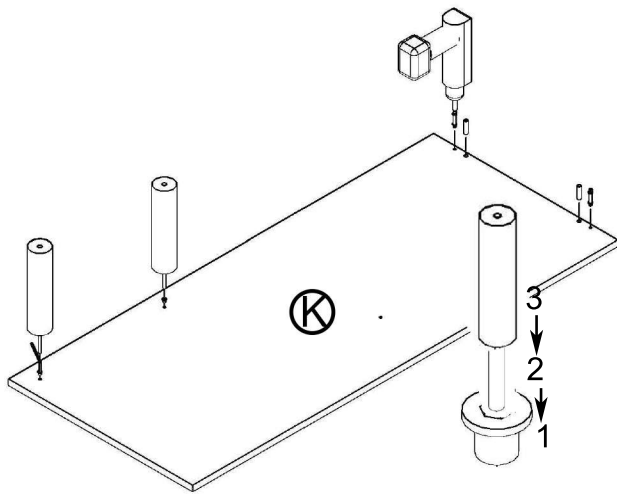


USING TOOLS

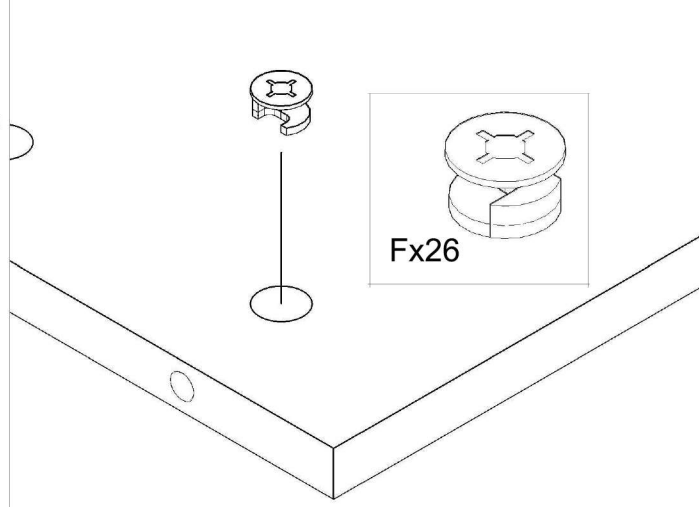
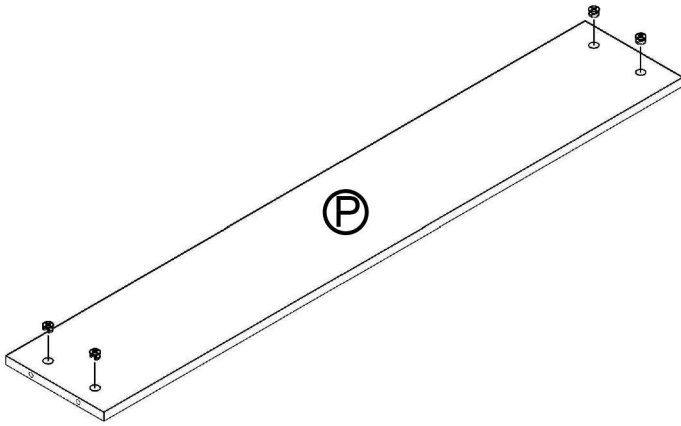


| | | | | |
|-------------------------------------------------------------------------------------------|---------------------------------------------------------------------------------------------|---------------------------------------------------------------------------------------------|--------------------------------------------------------------------------------------------------------|-------------------------------------------------------------------------------------------------------|
|  Px26 |  Kx22 |  Fx26 |  POx2 |  3.5*16 Bx12 |
|  Ox1 |  Mx2 |  Ex4 |  4.0*3.5 B1x4 |  ORx3 |

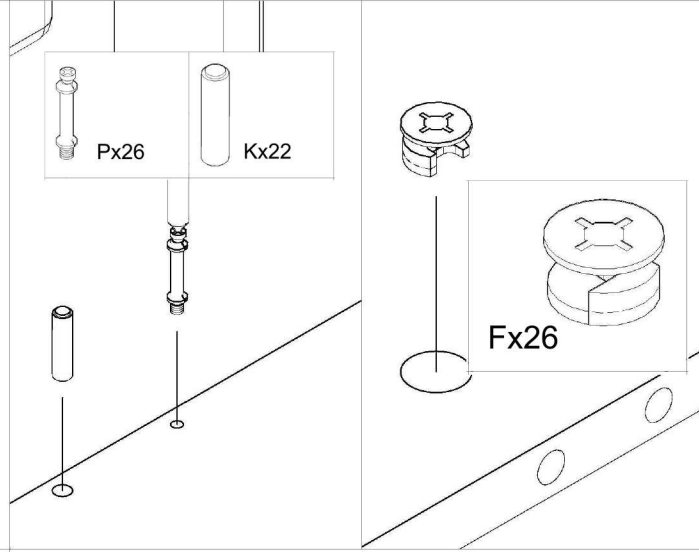
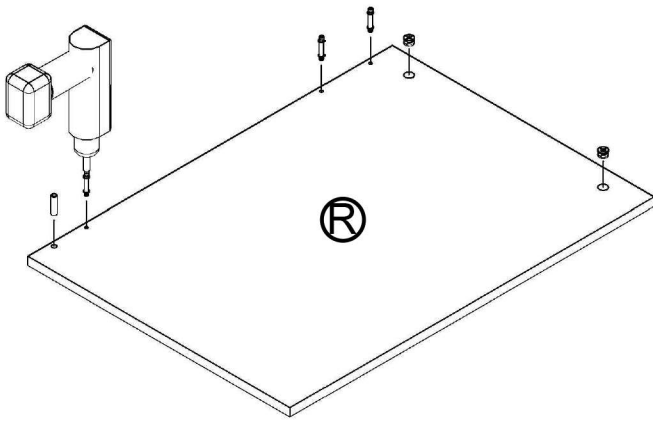
1



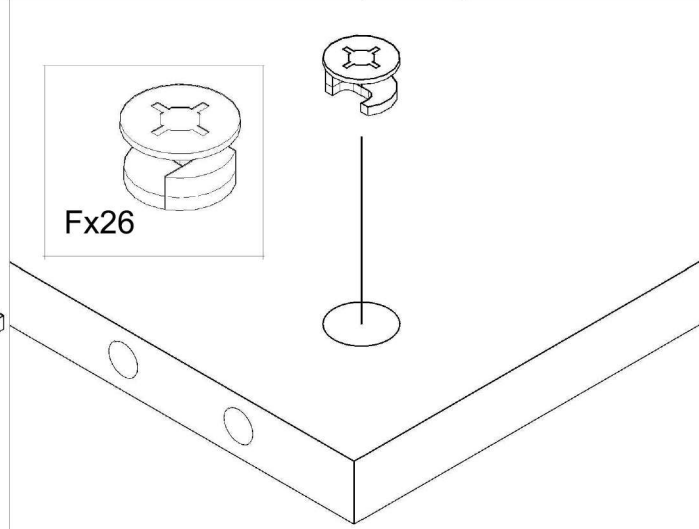
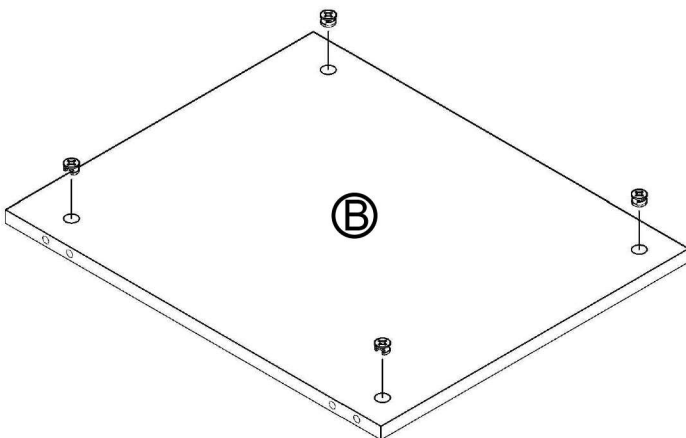
2



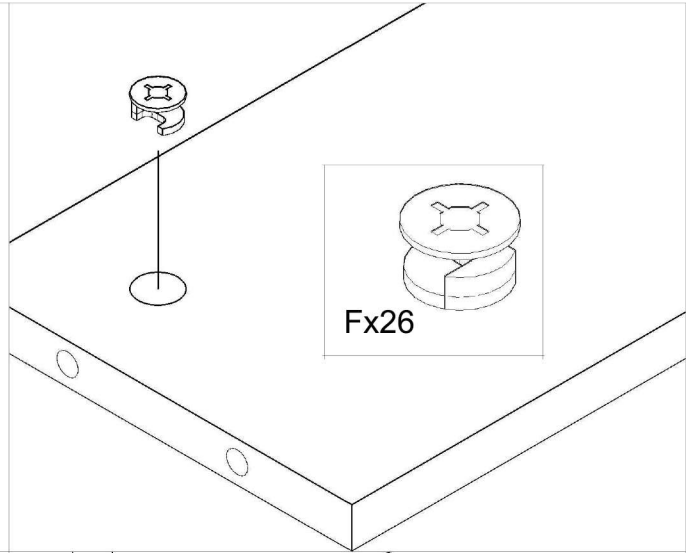
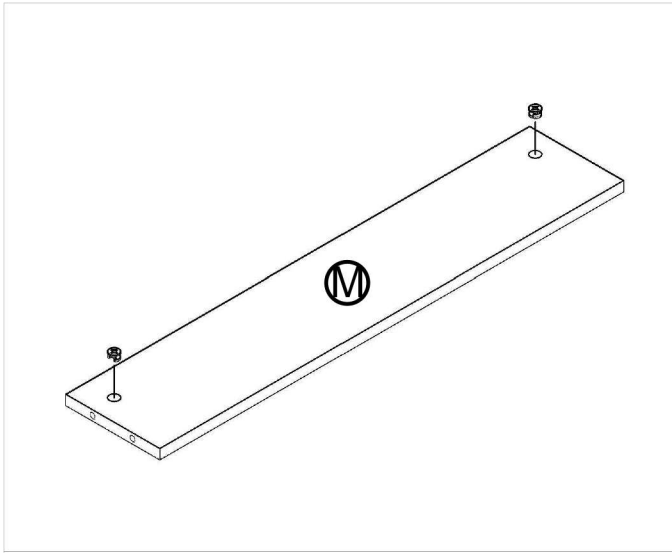
3



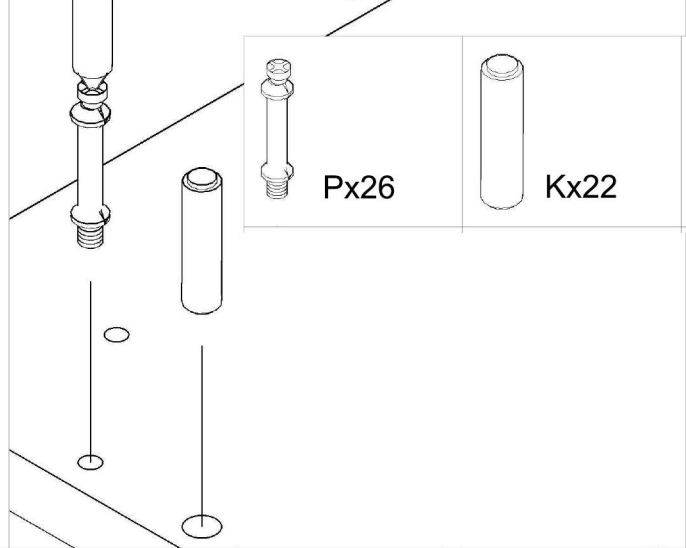
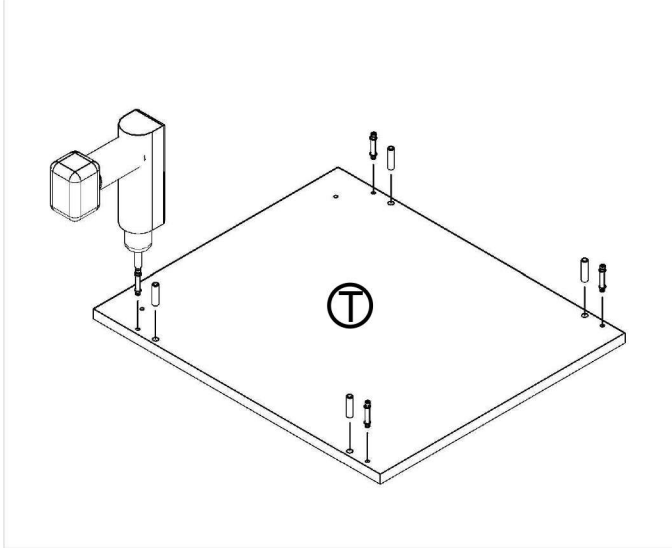
4



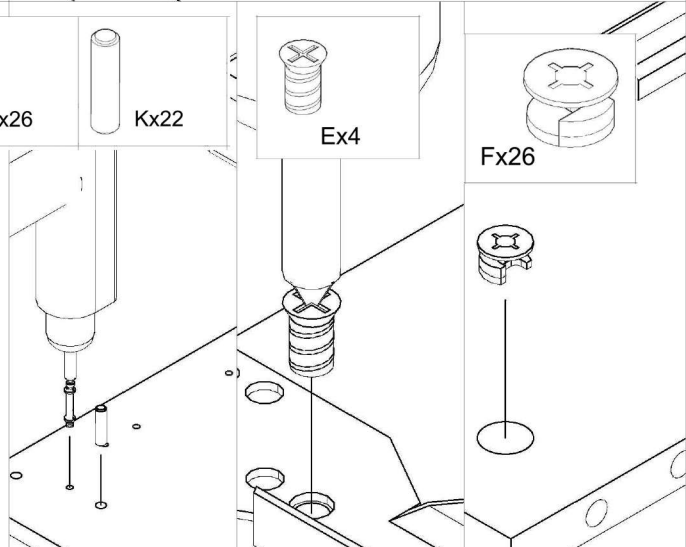
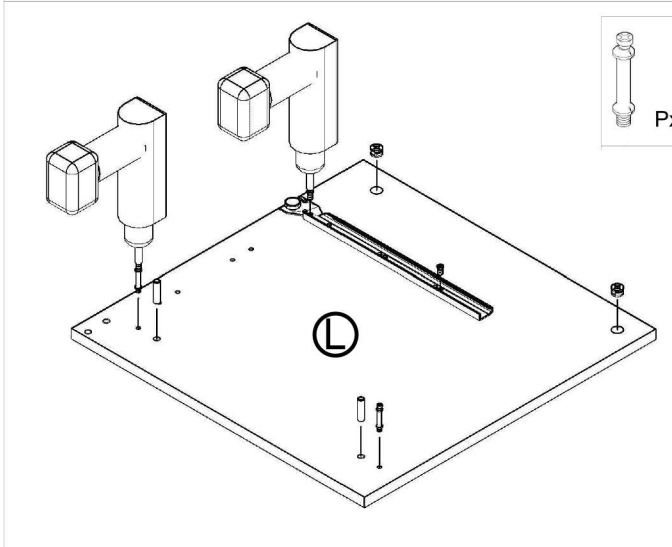
5



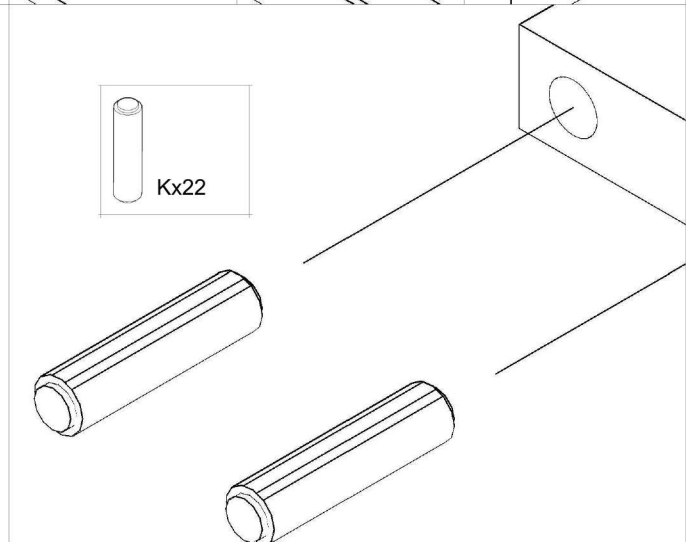
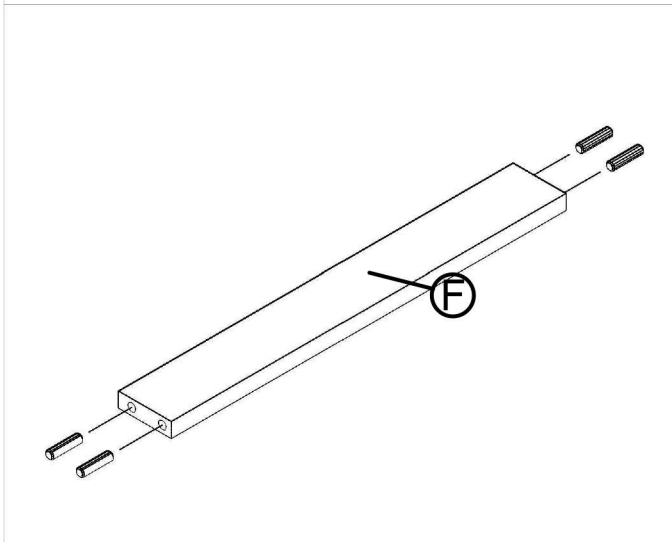
6



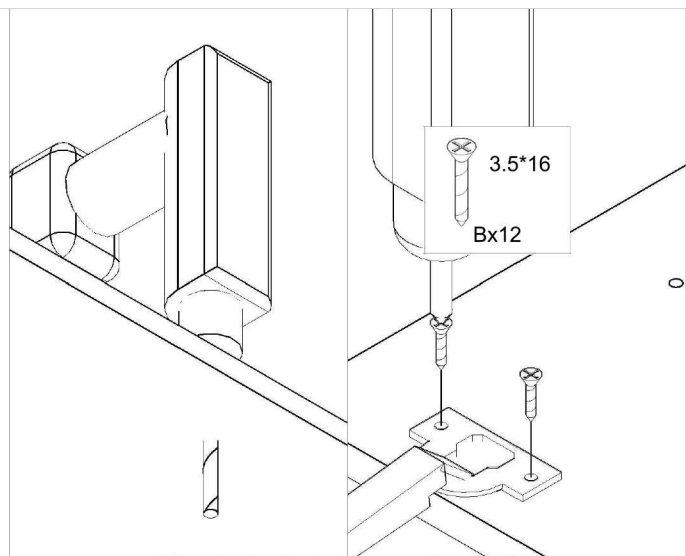
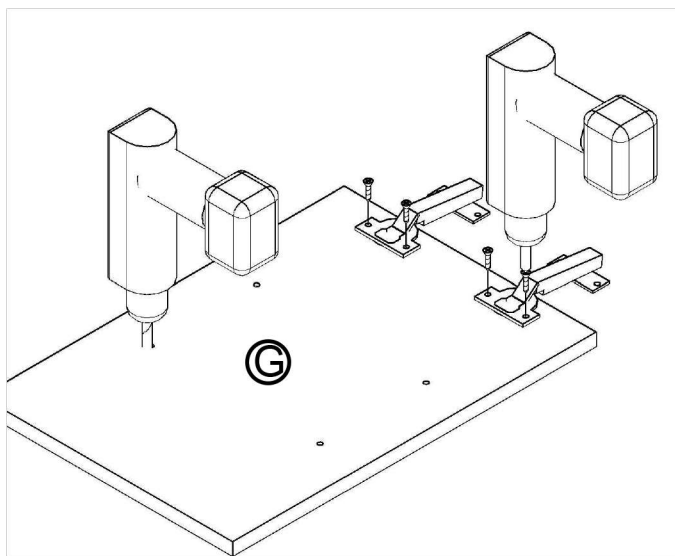
7



8

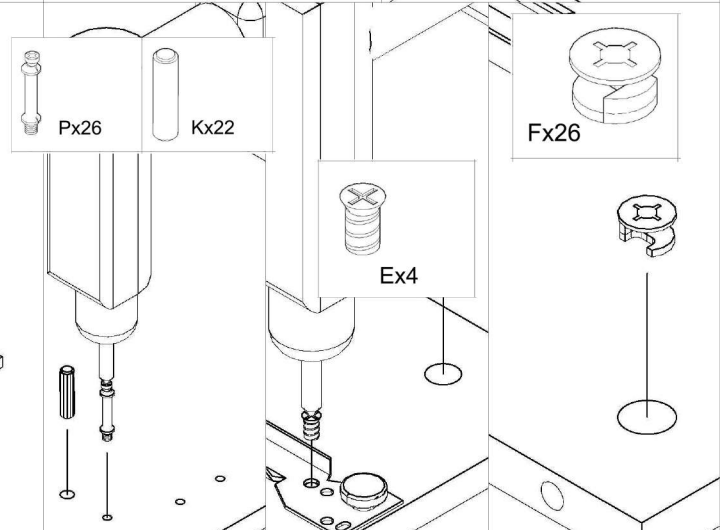
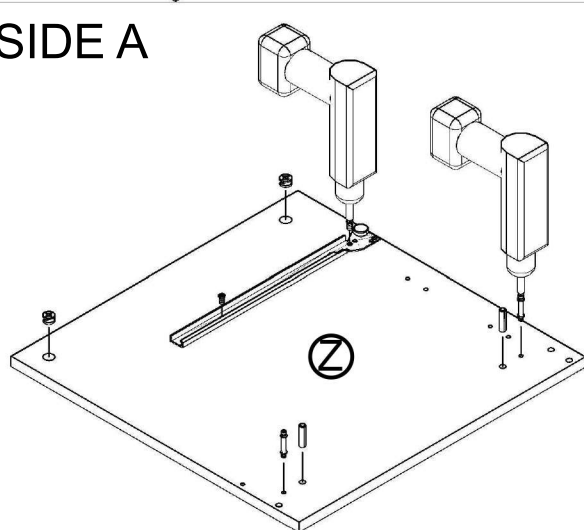


9



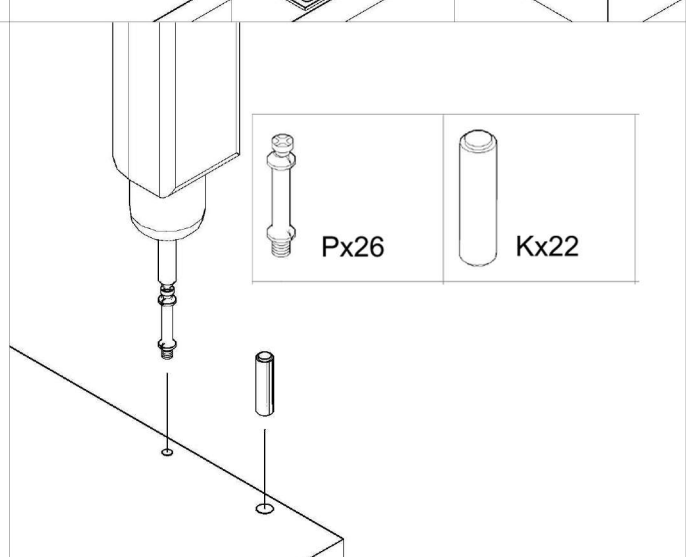
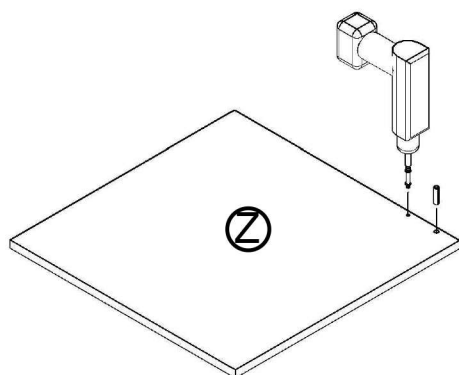
10

SIDE A

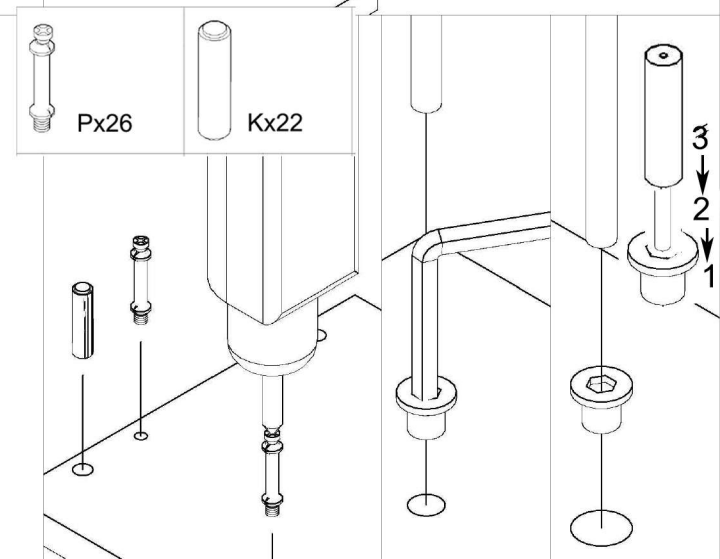
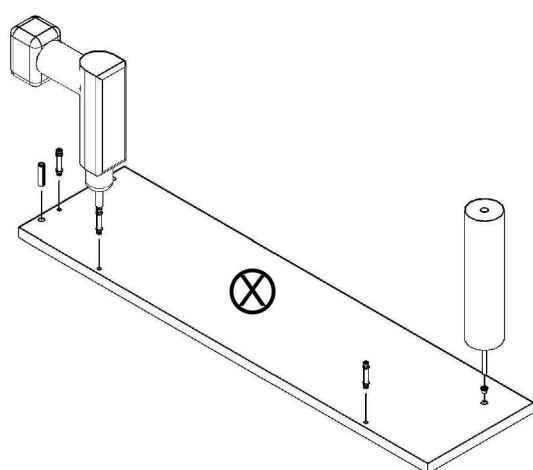


11

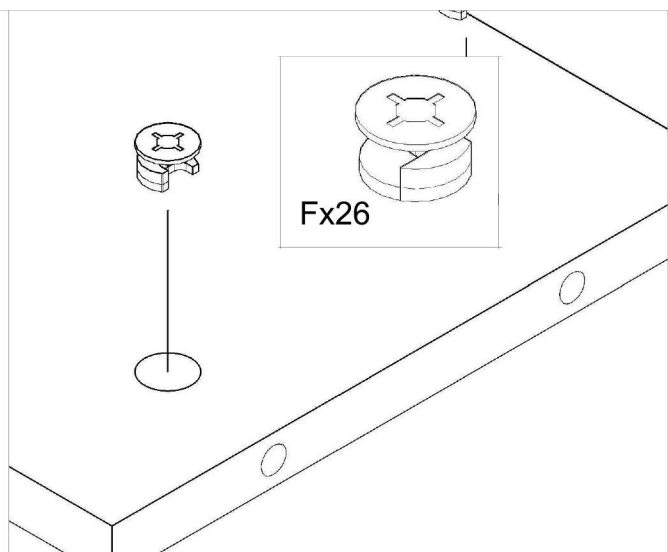
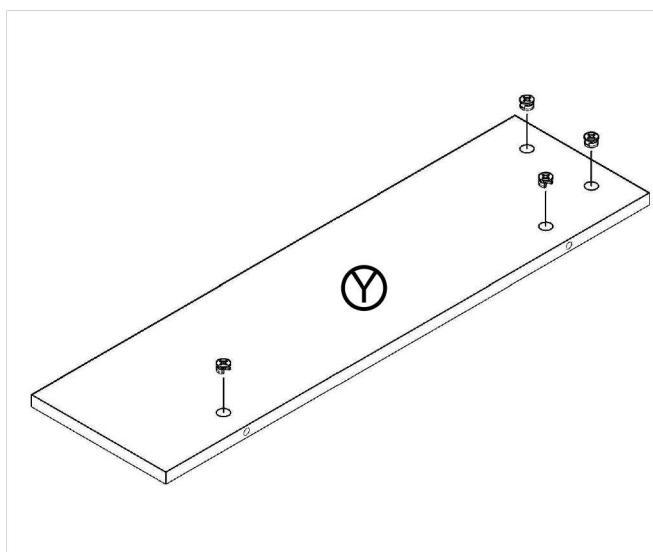
SIDE B



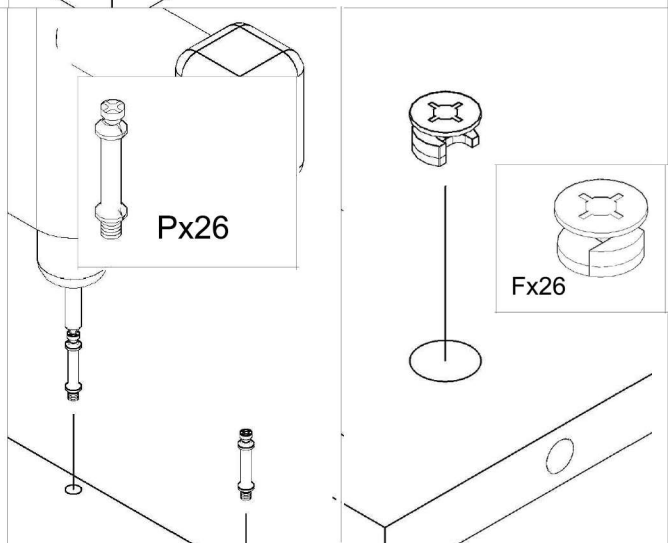
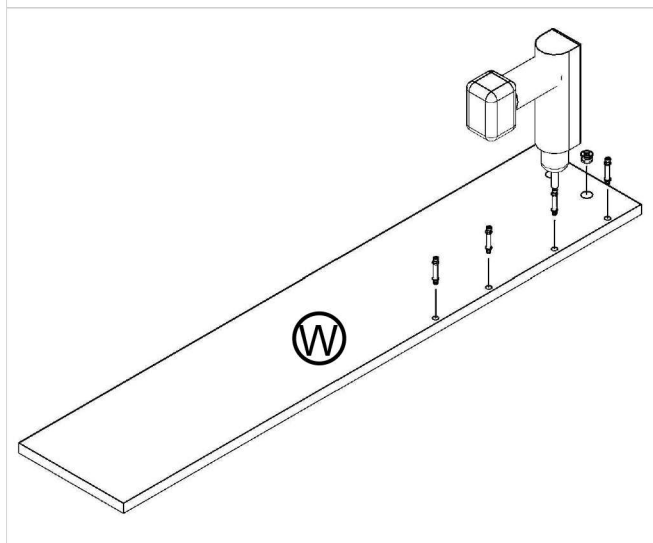
12



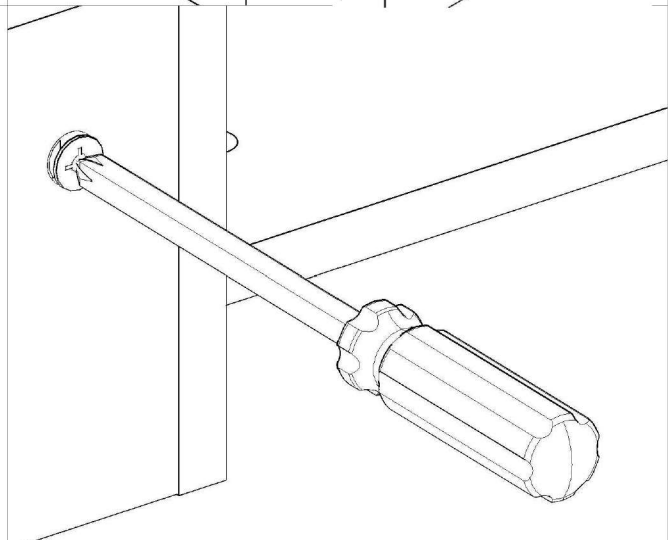
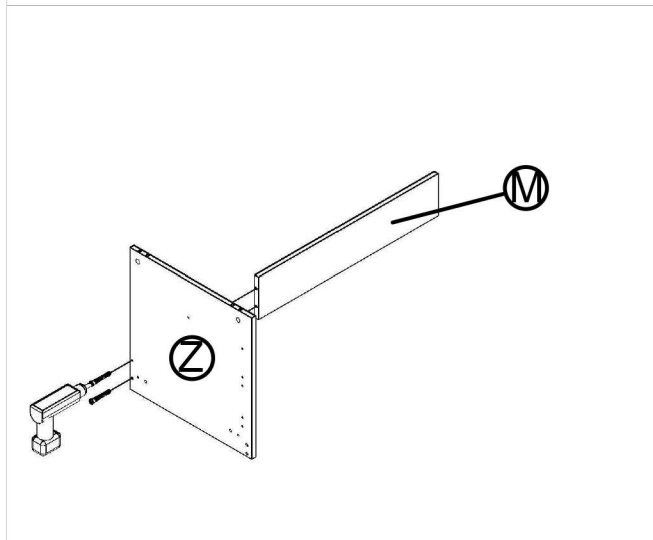
13



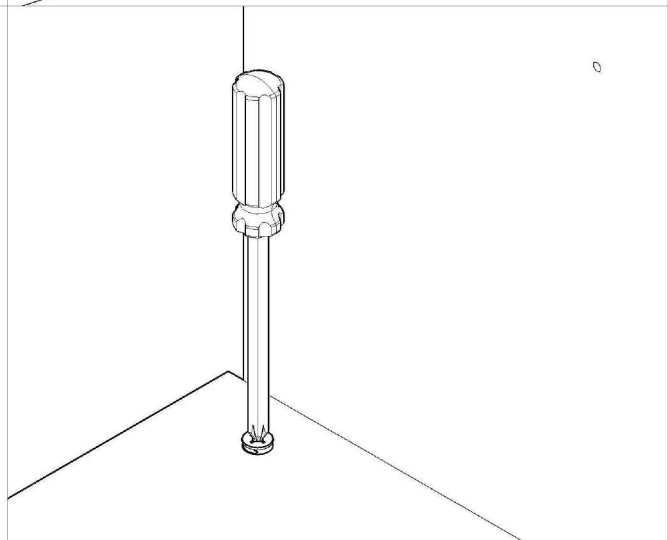
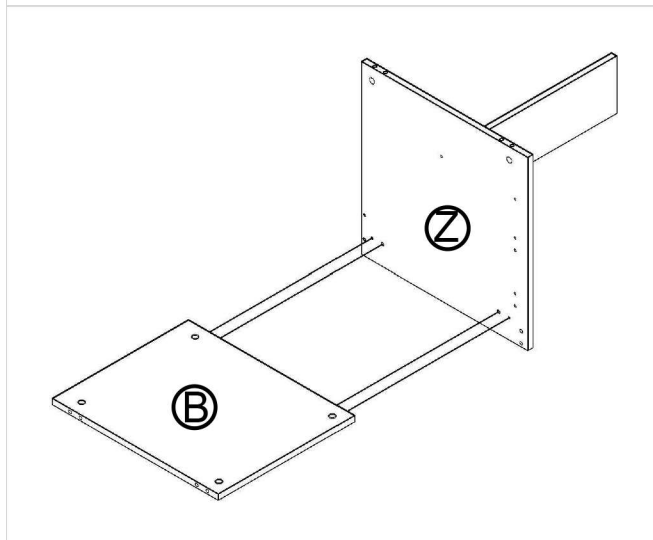
14



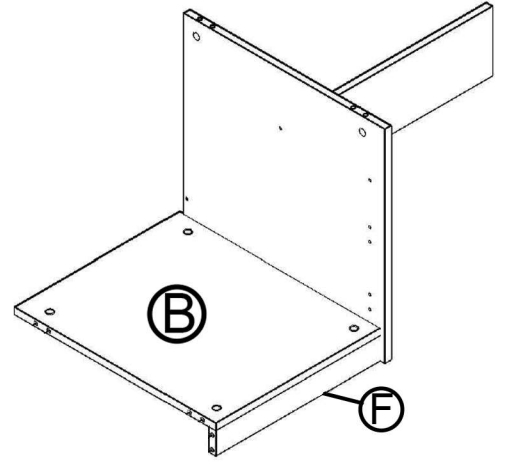
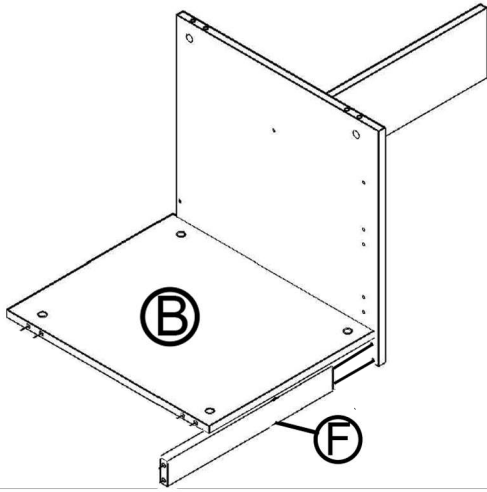
15



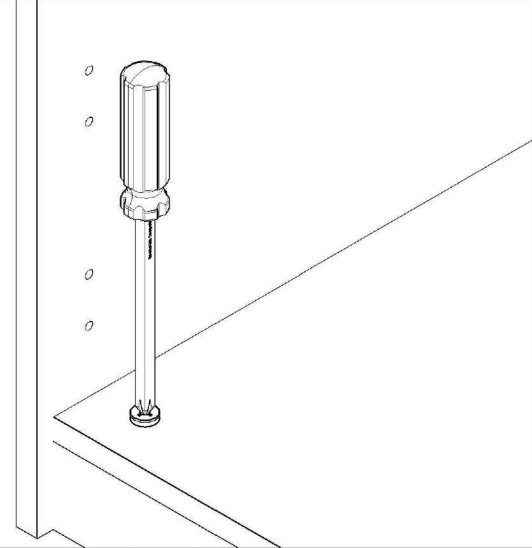
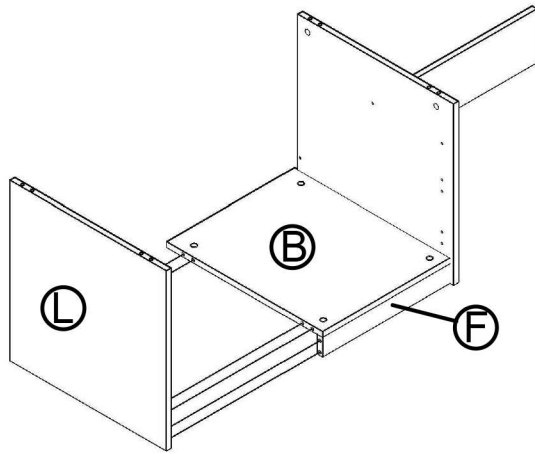
16



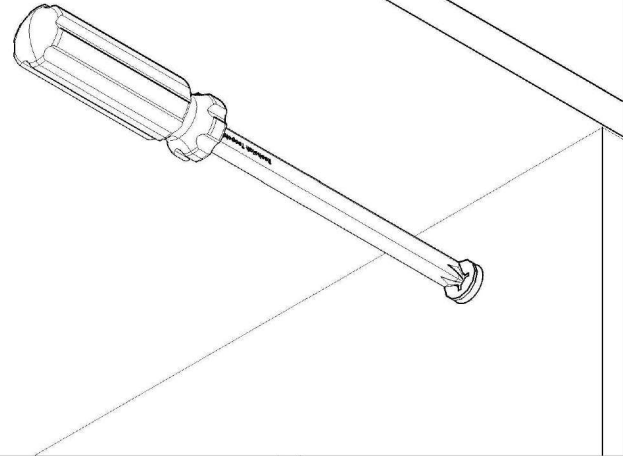
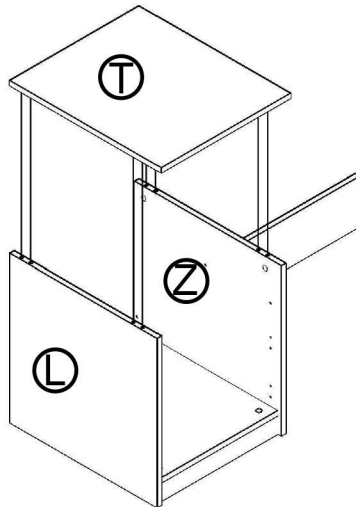
17



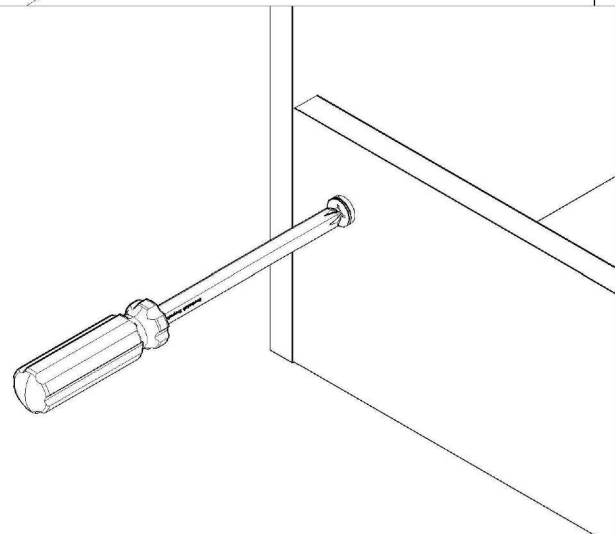
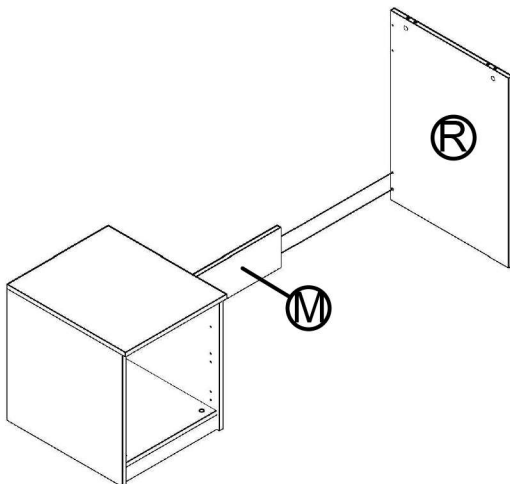
18



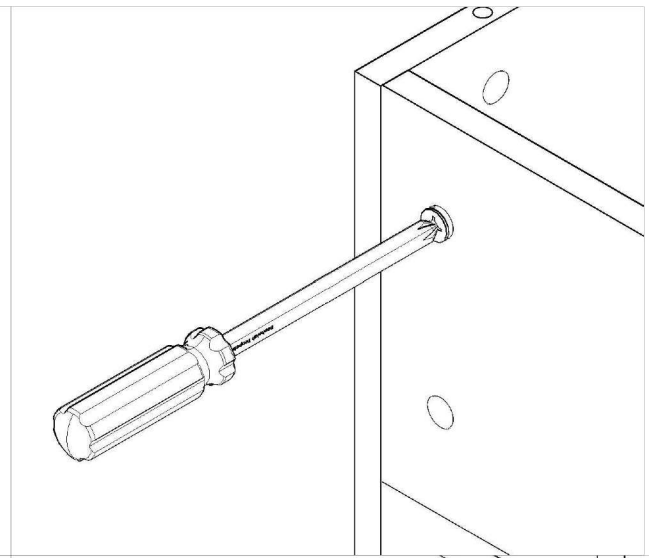
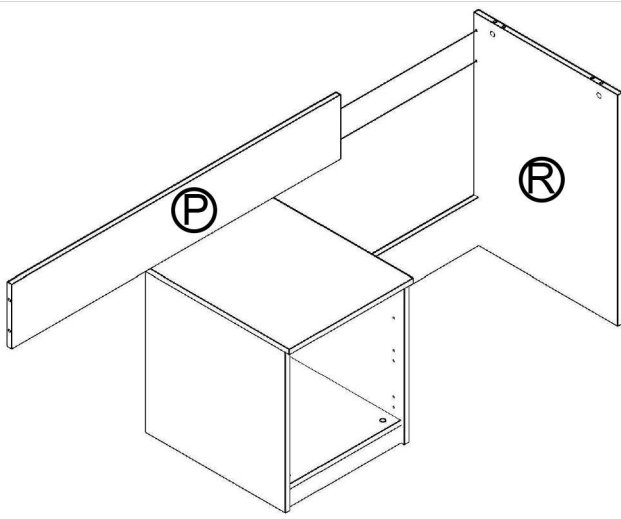
19



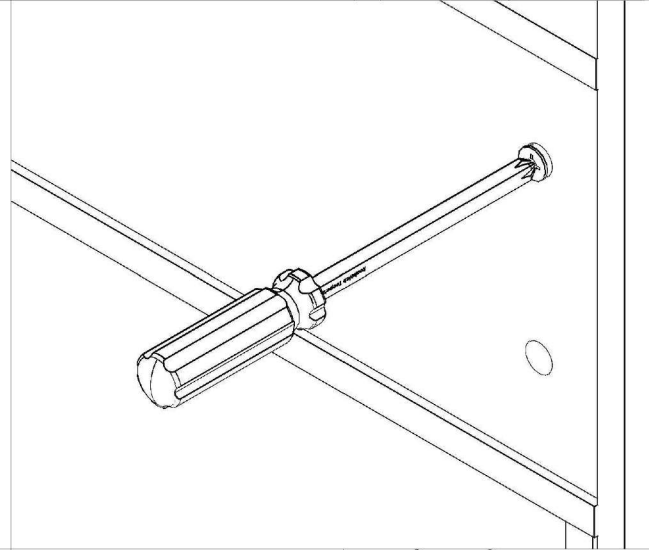
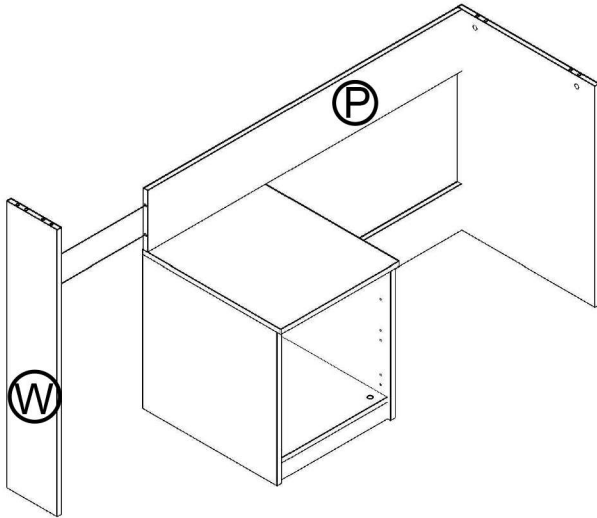
20



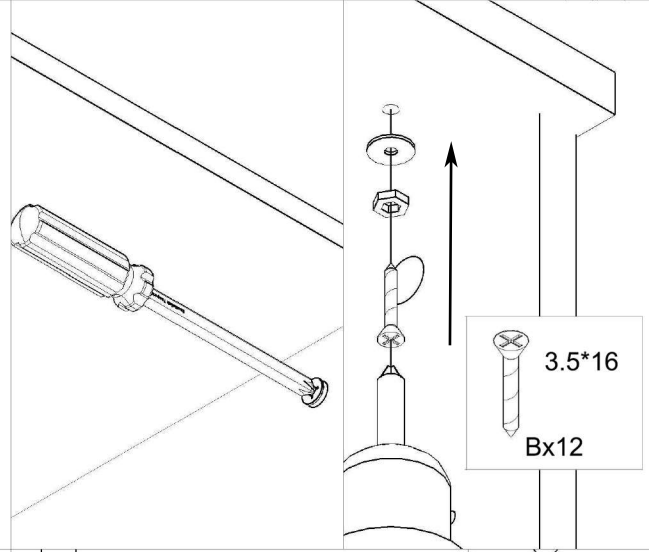
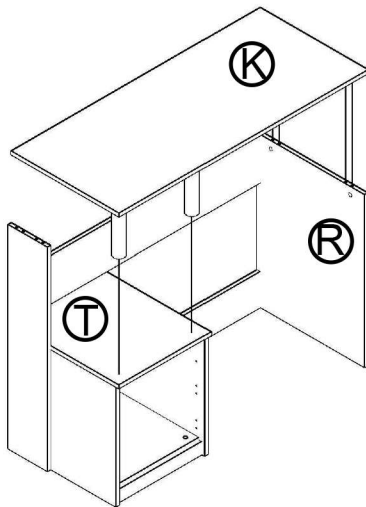
21



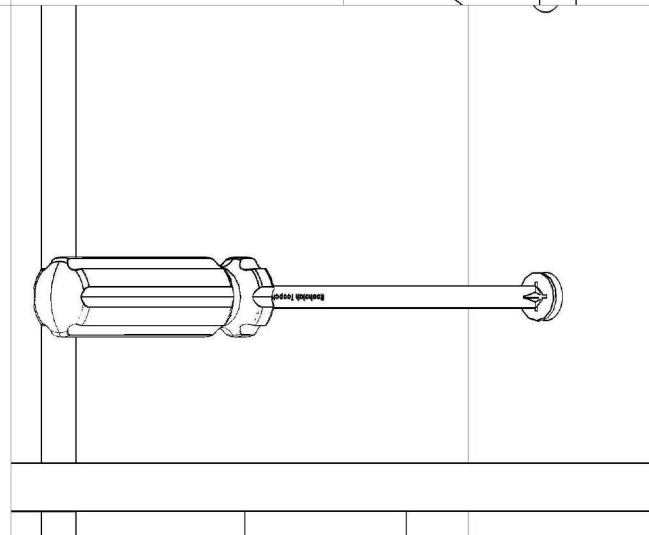
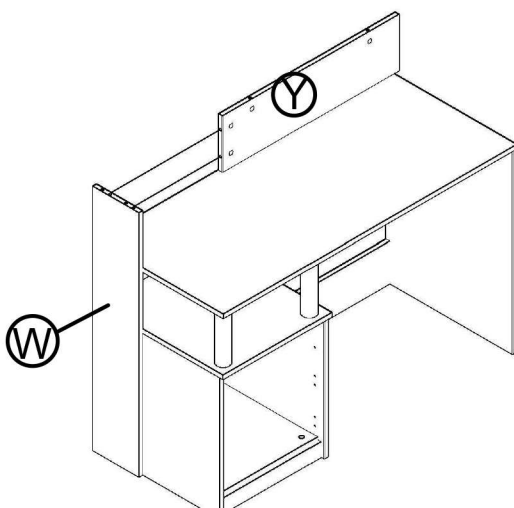
22



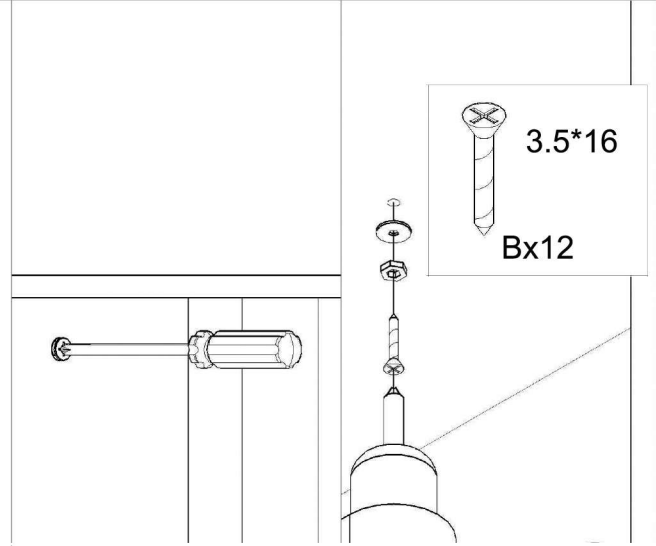
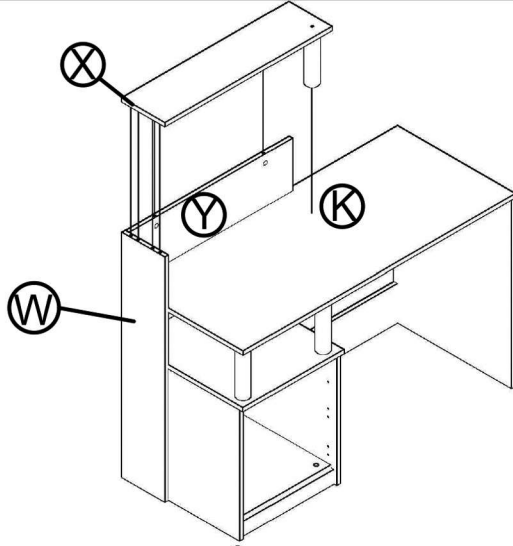
23



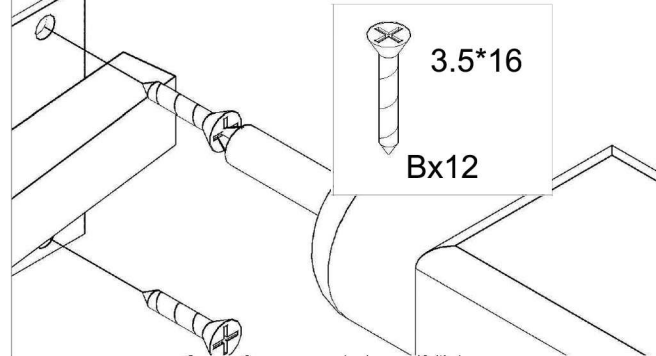
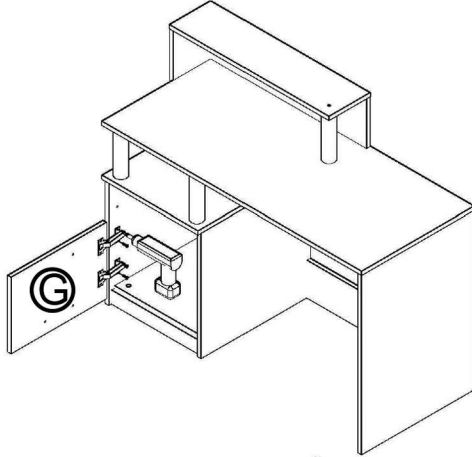
24



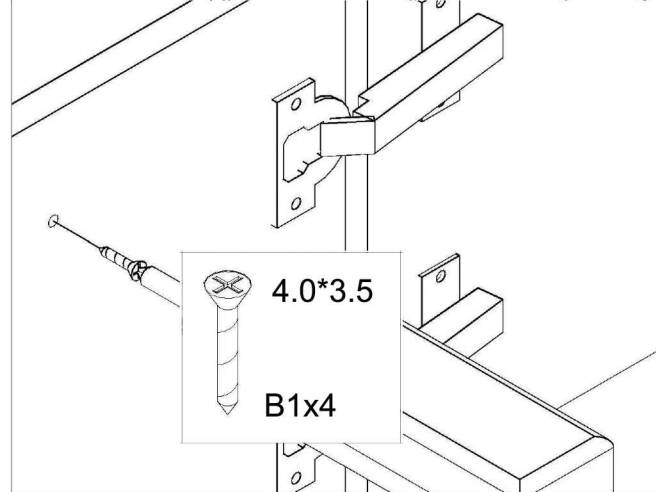
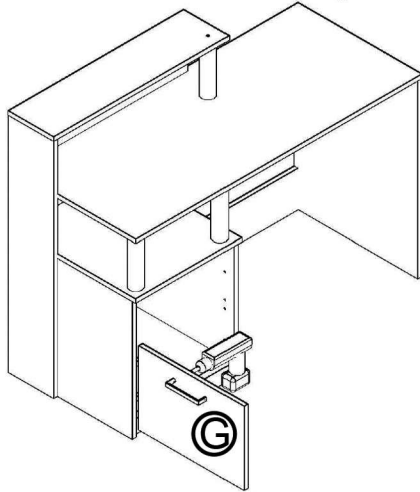
25



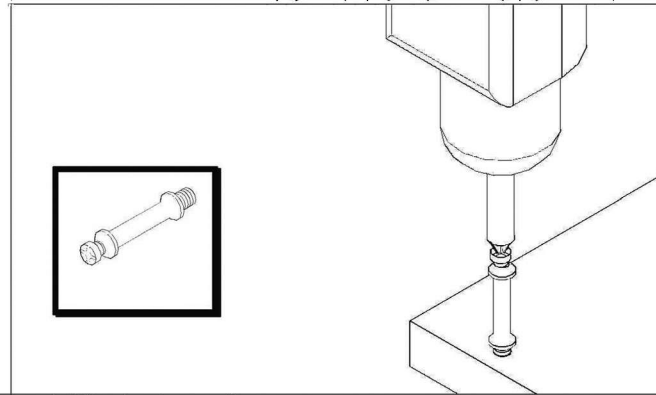
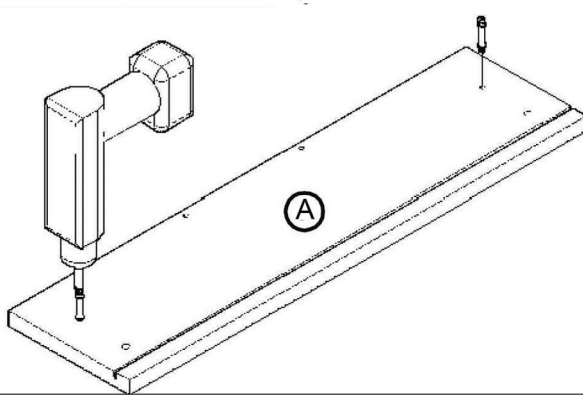
26



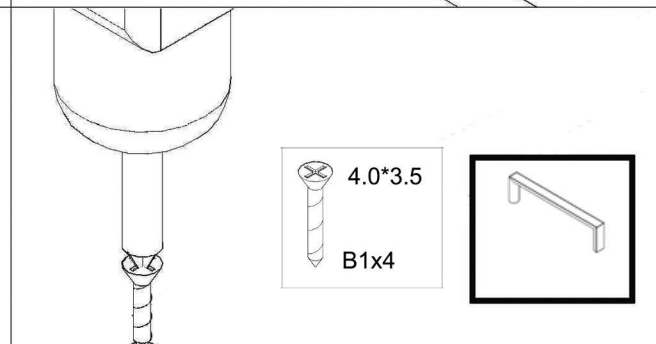
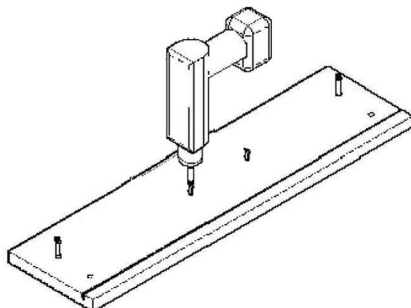
27



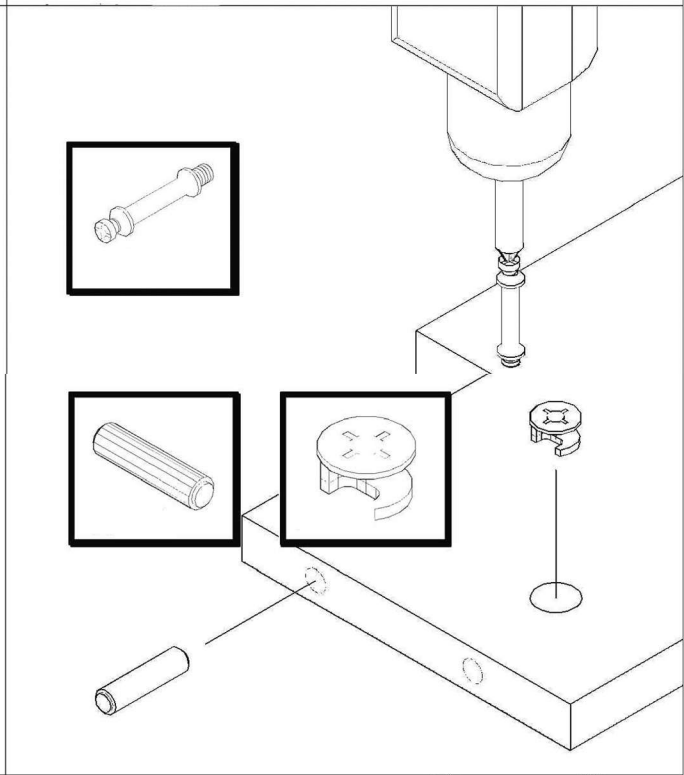
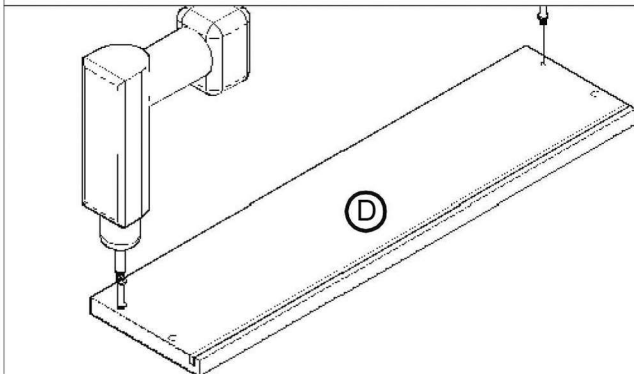
1



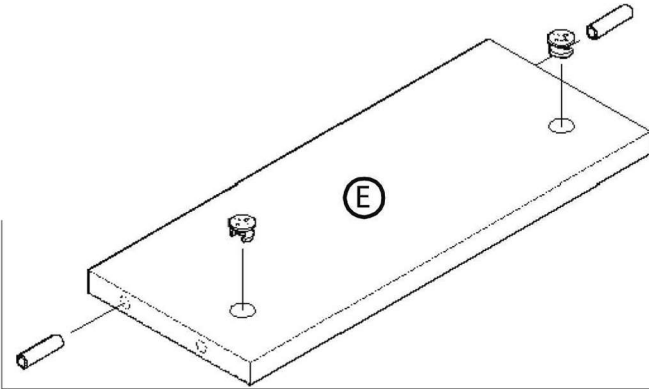
2



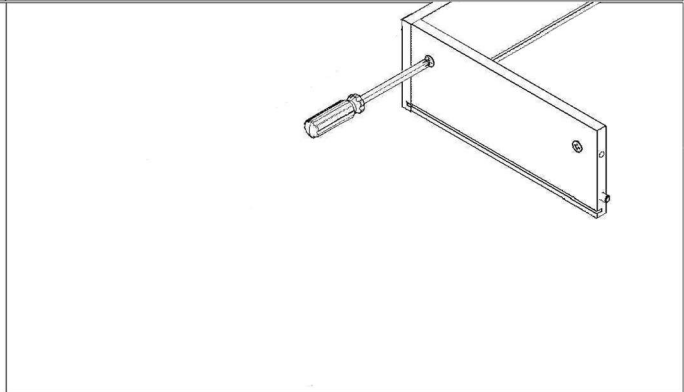
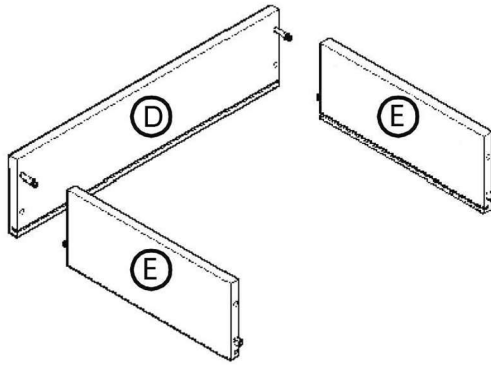
3



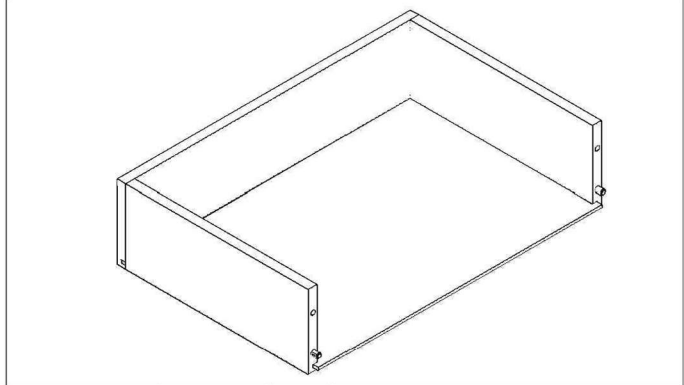
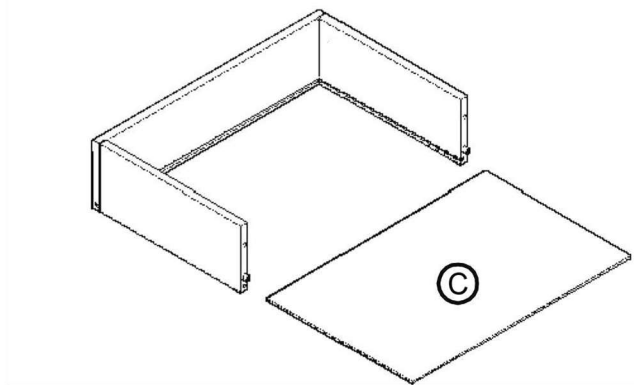
4



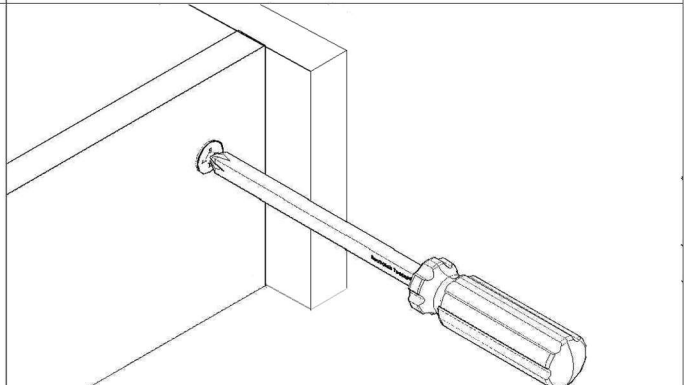
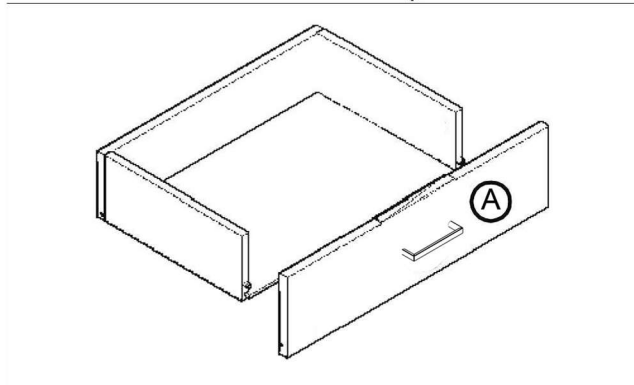
5



6



7



8

