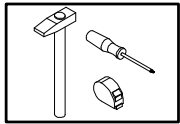
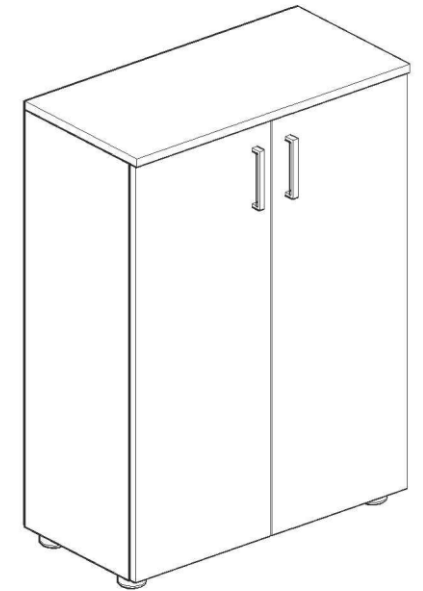
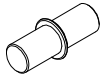

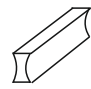

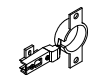

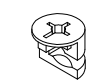
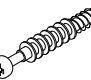
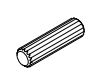
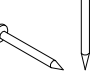


# SHOERACK1267



	
16	4
	
96 MM. 2	4x17,5 4
	
4	4 x 16 16
	
8	8
	
8 x 35 8	28

