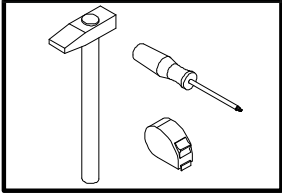
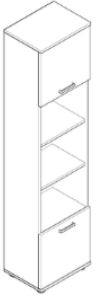
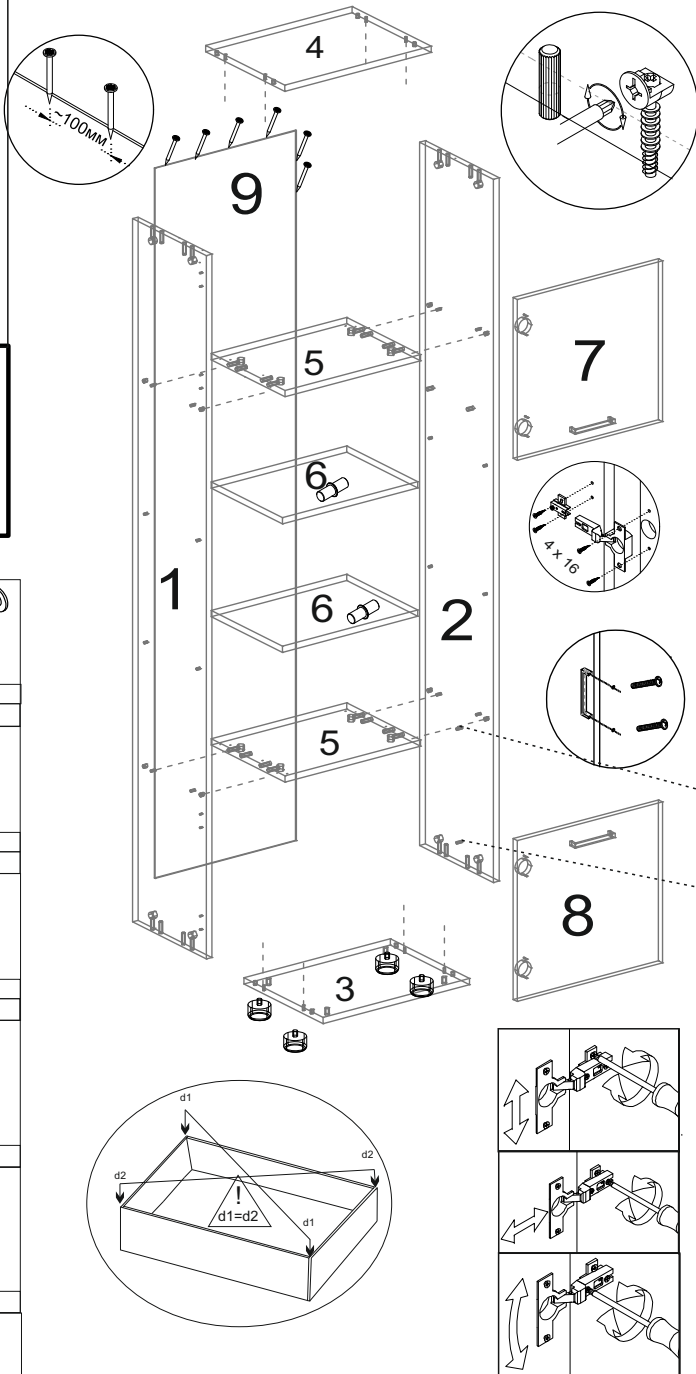


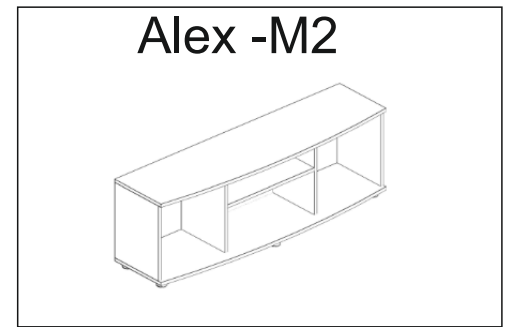
Alex -M1



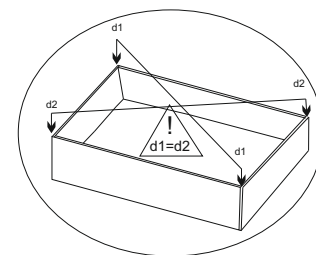
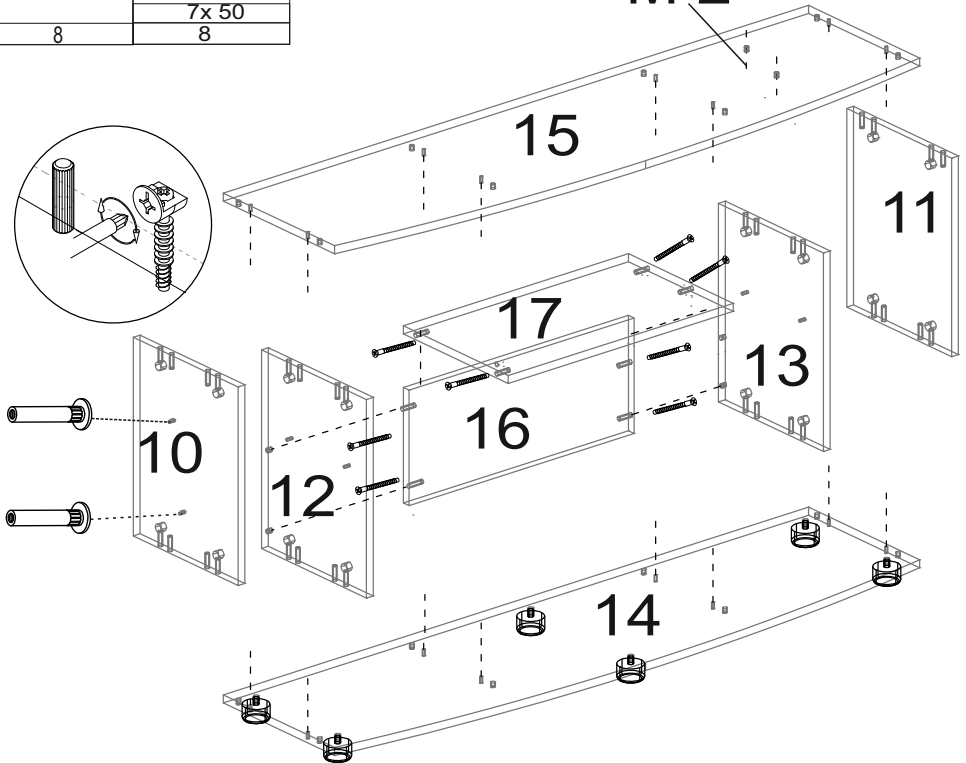
4	2
96 MM.	4x17.5
2	4
4	4 x 16
	16
16	16
8	40
	8 x 35
	16



16	16	
16	8 x 35	6
8	7 x 50	
	8	

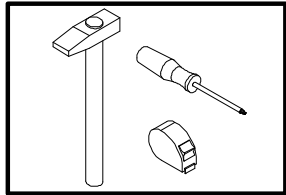
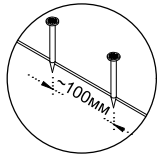
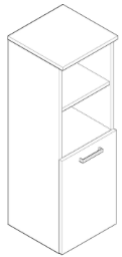


M 2*

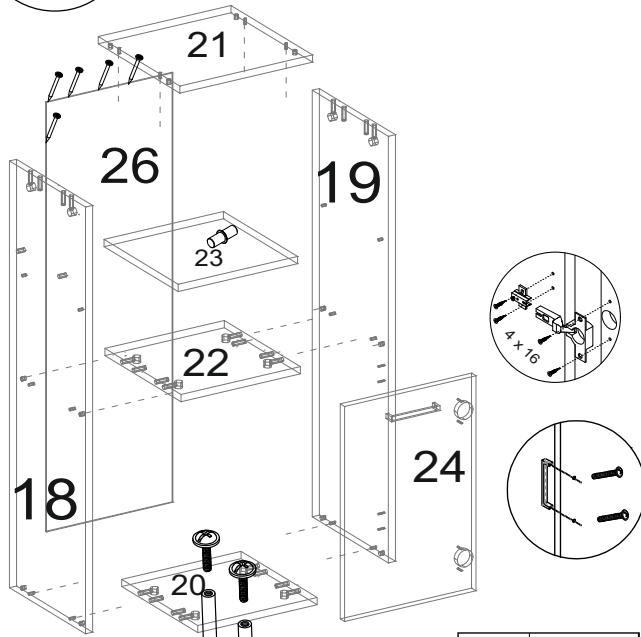


1/2

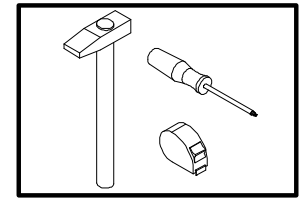
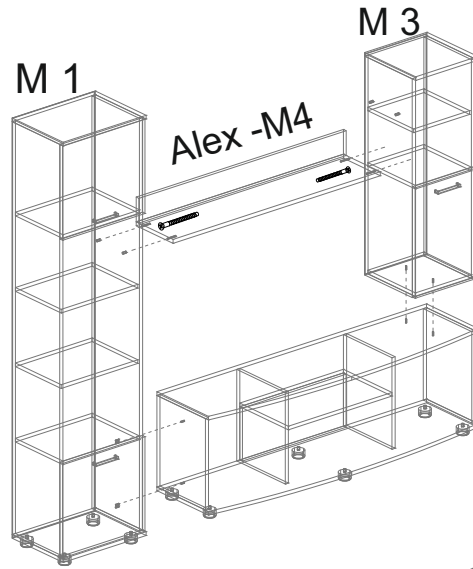
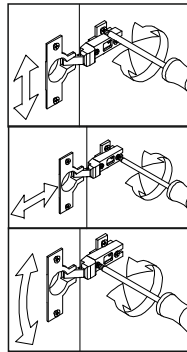
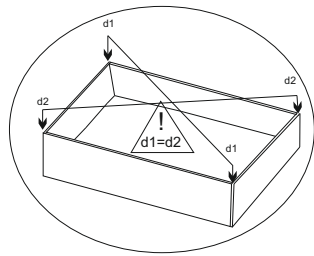
Alex -M3



	$\varnothing 5$ 2
	96 MM. 1
	4x17,5 2
	2
	4 x 16 8
	12
	12
	4
	24
	4
	8 x 35 12



M 2*



	7x50 7
	7

