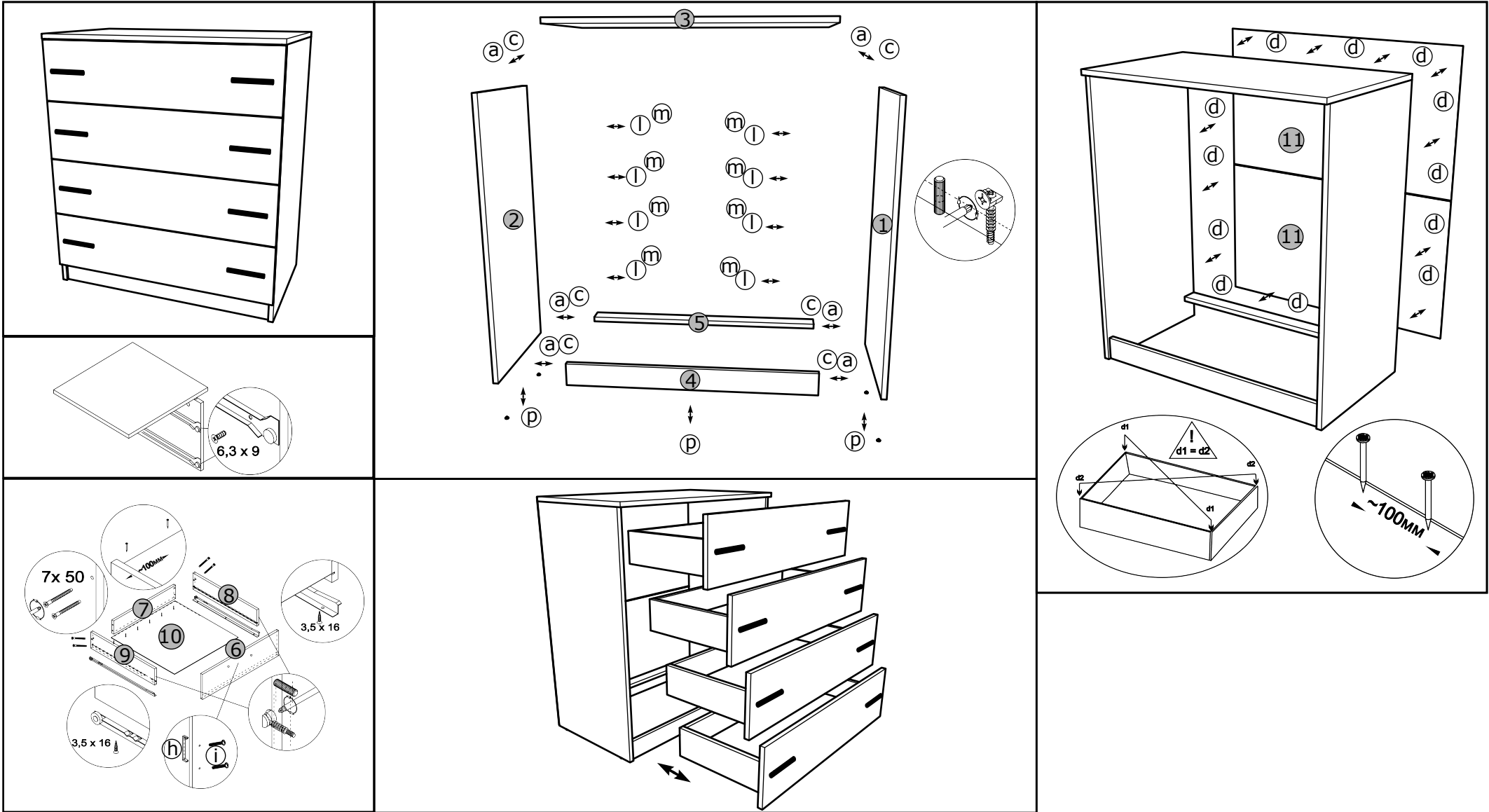


Drawer 4



16	16	16	83	96	8	16	4	16	5