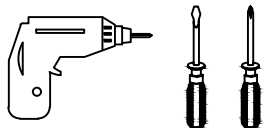


EO814 Assembly Drawing

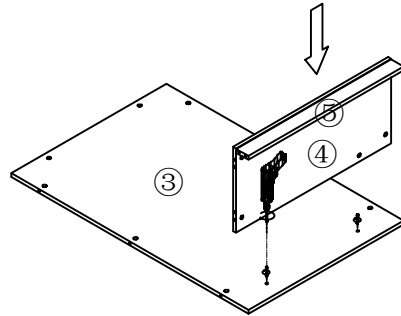
Size:W800*D400*H1199

Tools

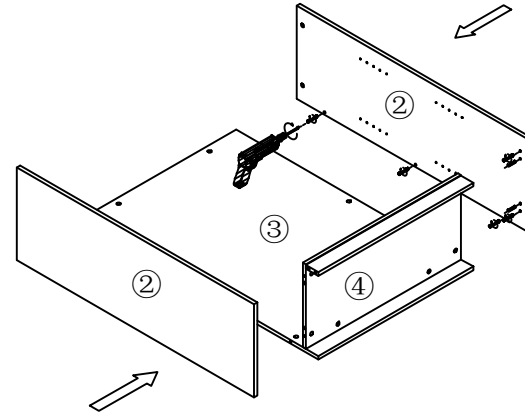


Connecting Parts

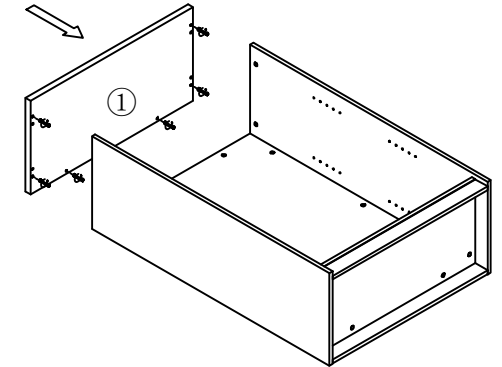
A		20	G		4
B		12	H		32
C		8	J		1
D		1	K		
E		2	L		
F		4	M		



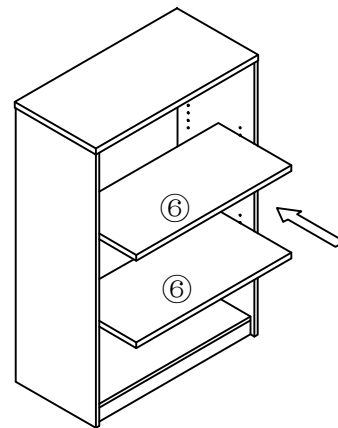
Step:1



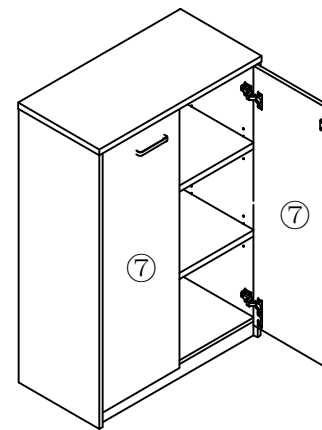
Step:2



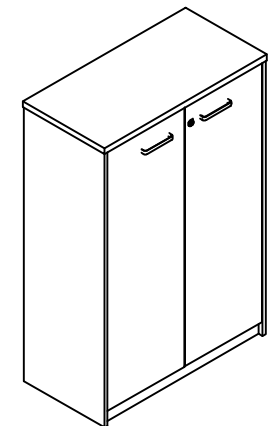
Step:3



Step:4



Step:5



Finish

Serues No	Specification (W*D*H)	Qty
①	800*400*25	1
②	1169*396*16	2
③	1169*764*16	1
④	764*360*16	1
⑤	760*60*16	1
⑥	763*359*25	2
⑦	1107*379*16	2