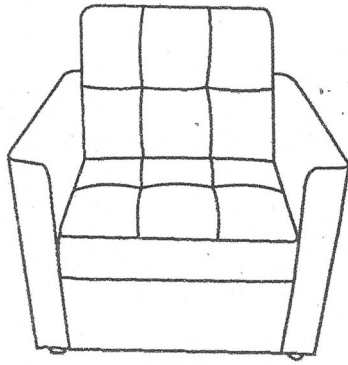


# ASSEMBLY INSTRUCTION (1S)

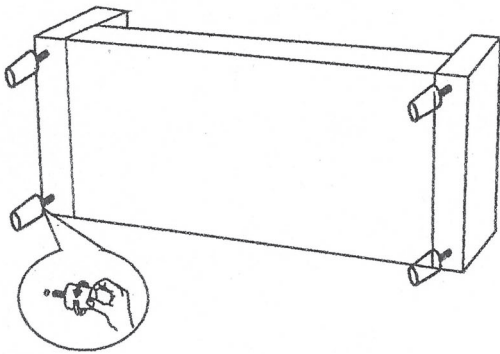


## PARTS AND HARDWARE

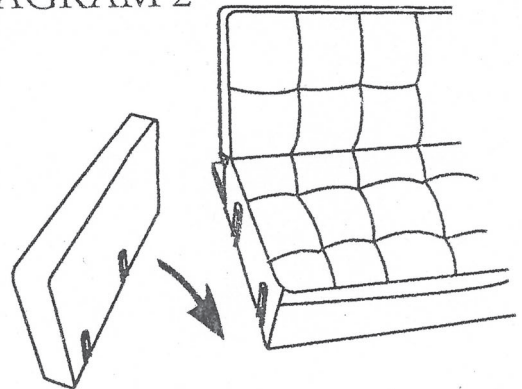


Leg  
4X

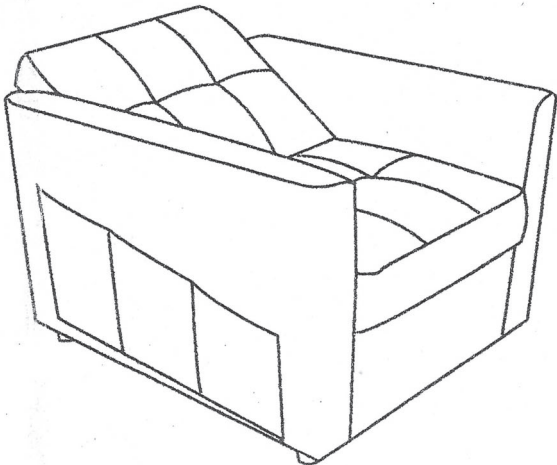
### DIAGRAM 1



### DIAGRAM 2



### DIAGRAM 3



### DIAGRAM 4

