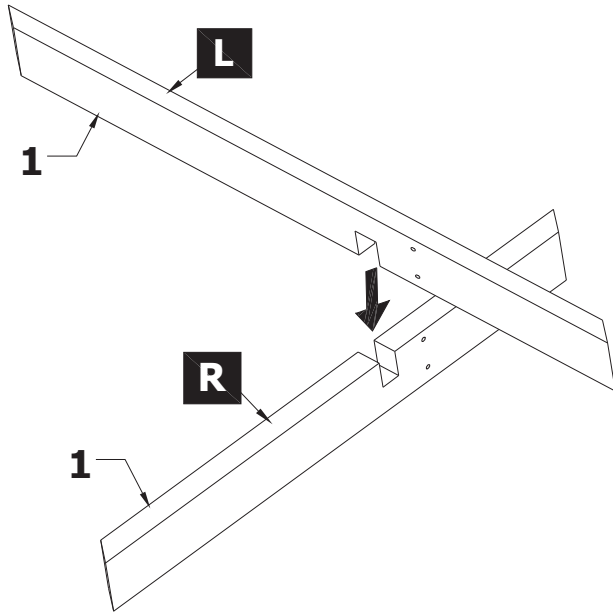
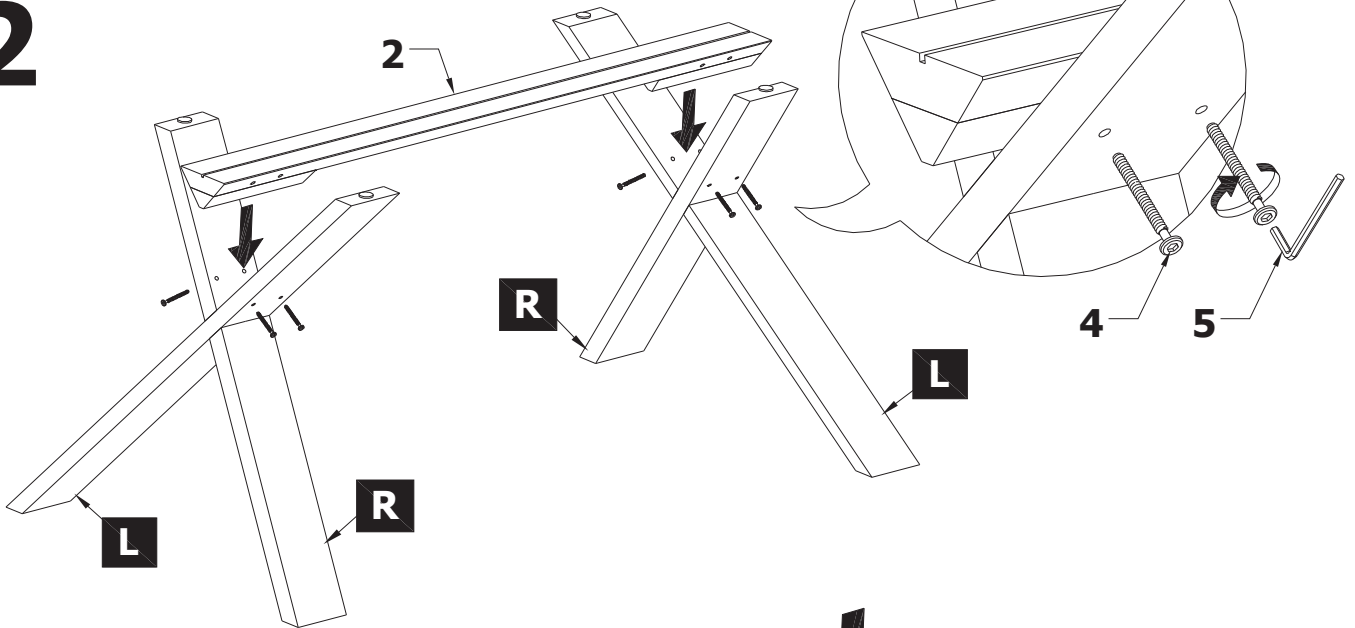


<p>1</p> <p>Two long, thin rectangular panels. The top panel has a notch on its right side and is labeled 'R'. The bottom panel is labeled 'L'. Both have small circular holes along their length.</p> <p>x4</p>	<p>2</p> <p>A long, narrow strip with a notch on one end and small circular holes along its length.</p> <p>x1</p>
<p>3</p> <p>A rectangular table top with a slightly beveled edge.</p> <p>x1</p>	<p>4</p> <p>A long threaded bolt with a circular head and a hexagonal base.</p> <p>x8</p>
<p>5</p> <p>A long, thin L-shaped metal rod.</p> <p>x1</p>	<p>x1</p>

1



2



3

