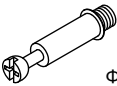







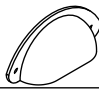


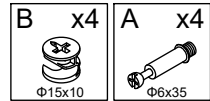
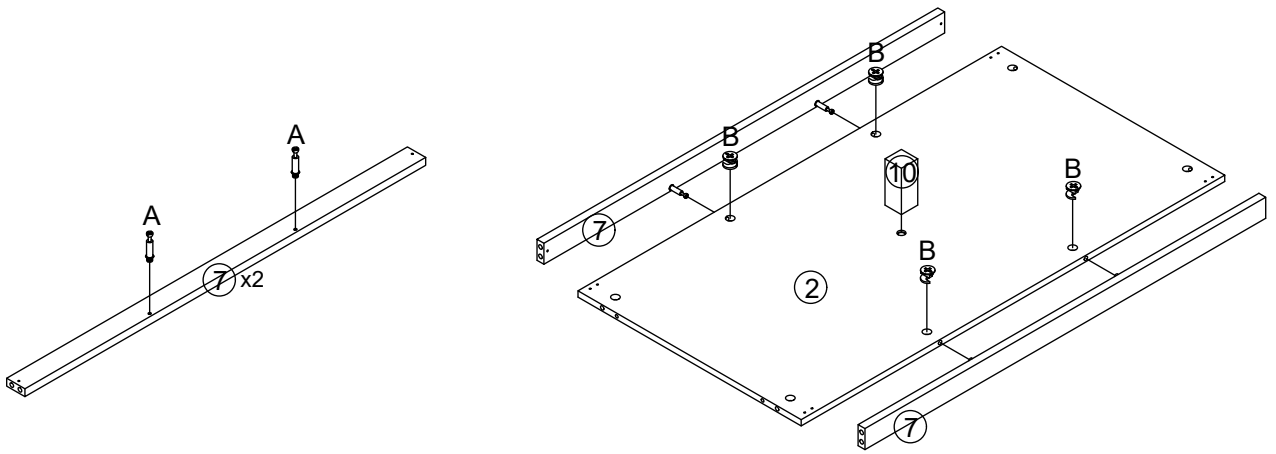
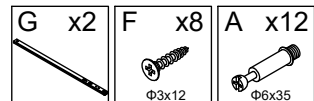
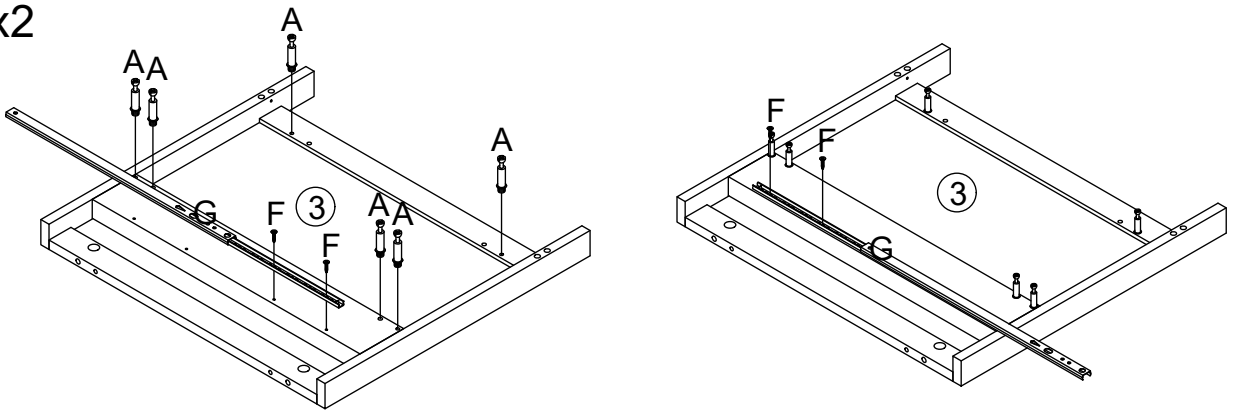


A	 Φ6x35	30PCS	G		2PCS
B	 Φ15x10	30PCS	H		5PCS
C	 Φ6x30	16PCS	J	 Φ4x14	2PCS
D	 Φ4x35	7PCS	K		4PCS
E		4PCS	L	 Φ4x14	16PCS
F	 Φ3x12	18PCS			

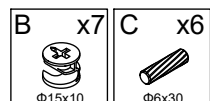
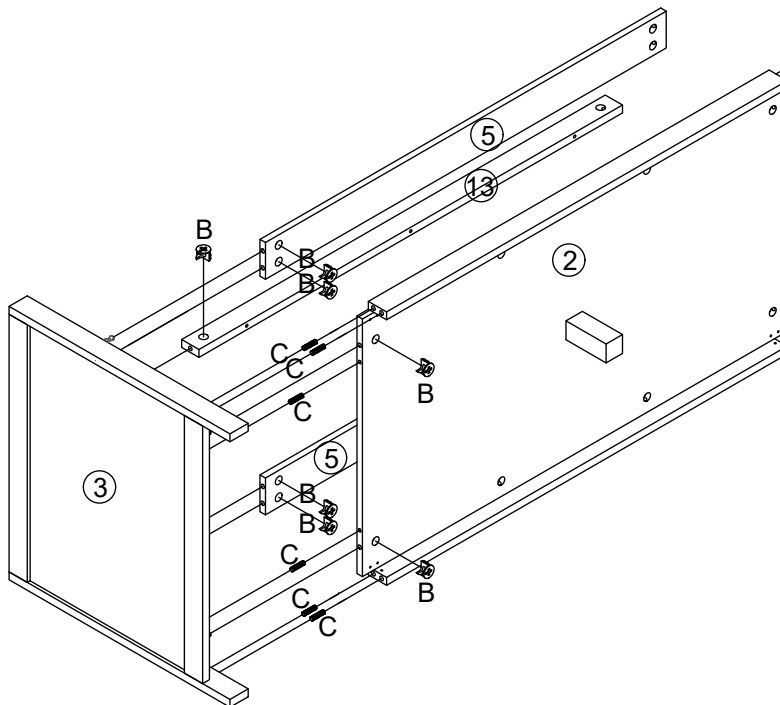
1



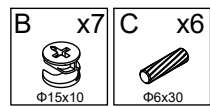
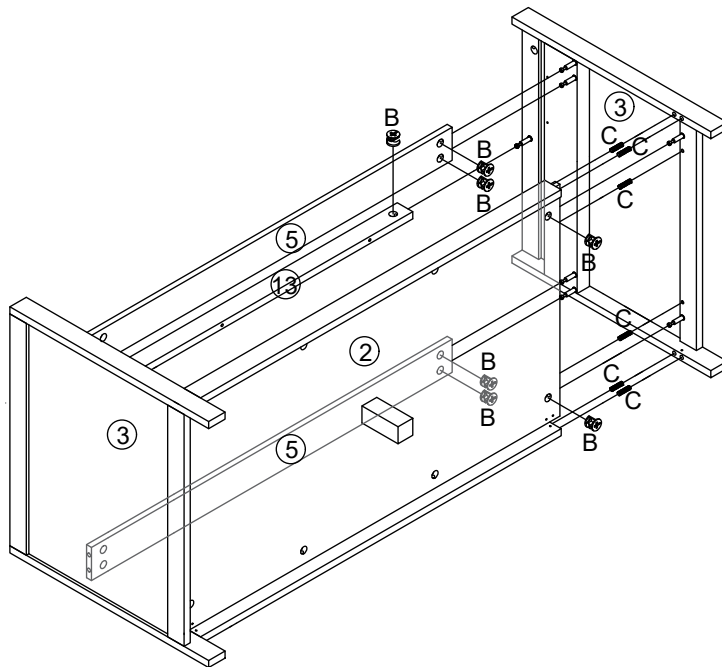
2 x2



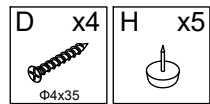
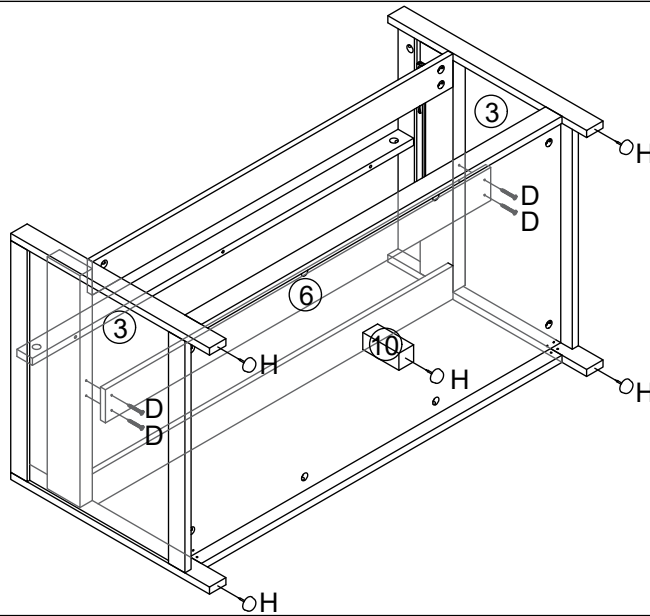
3



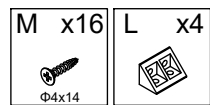
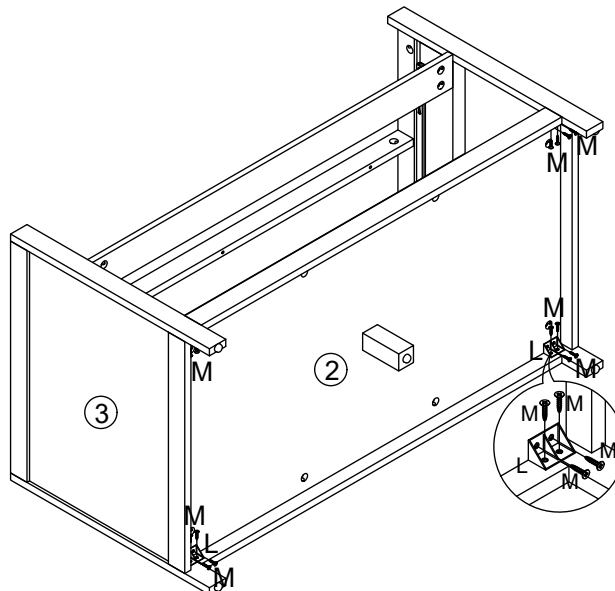
4



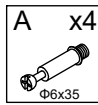
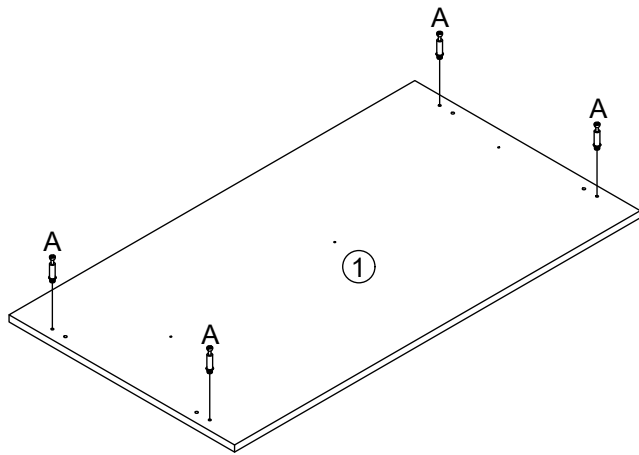
5



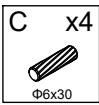
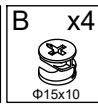
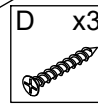
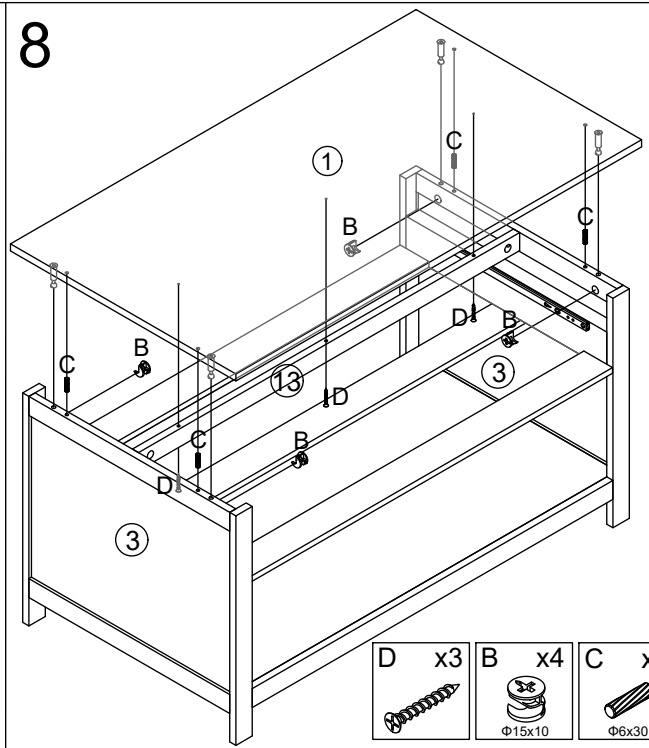
6



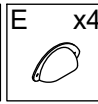
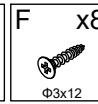
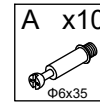
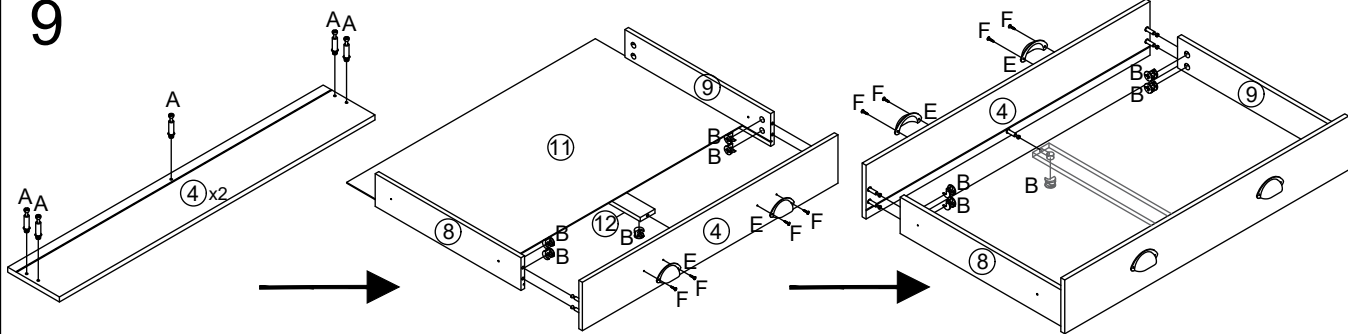
7



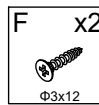
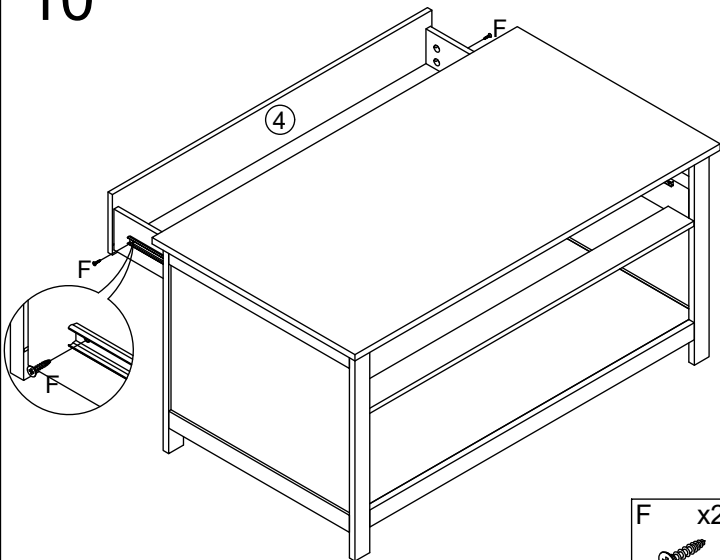
8



9



10



11

