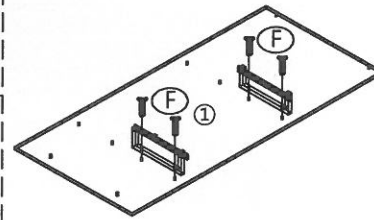
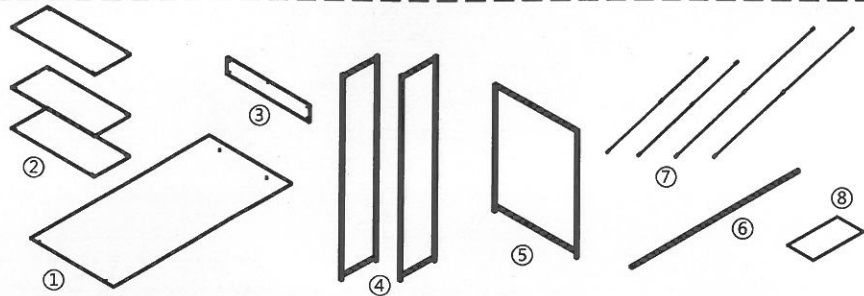
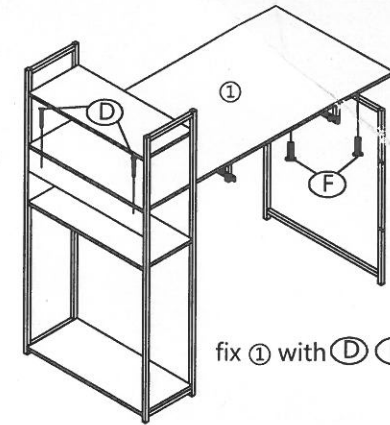


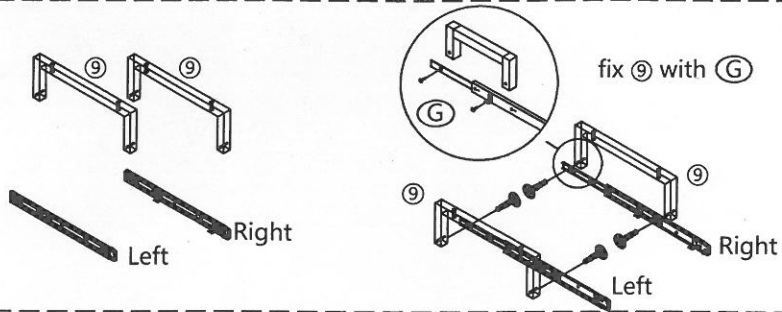
Item	(A)	(B)	(C)	(D)	(E)	(F)	(G)	(H)
Accesorios								
	1cm flat head screw	3.5cm flat head screw	5cm flat head screw	5cm nibbed screw	nut	2.5cm flat head screw		3cm flat head screw



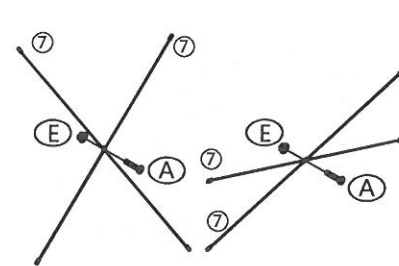
fix ④ with (F)



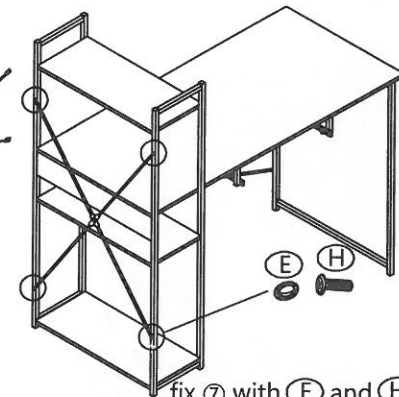
fix ① with (D) (F)



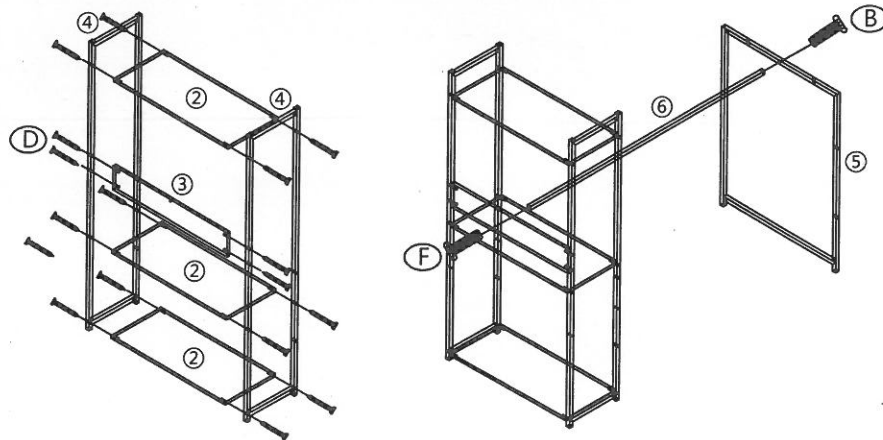
fix ⑨ with (G)



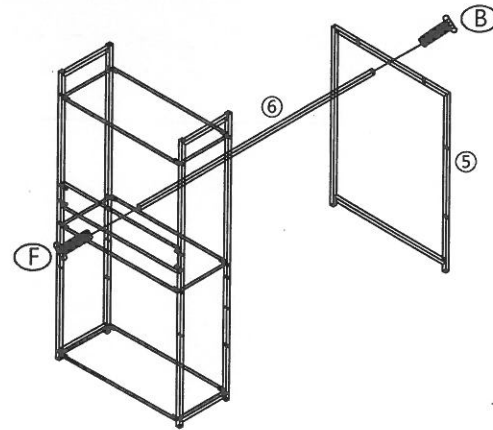
fix ⑦ with (A) and (E)



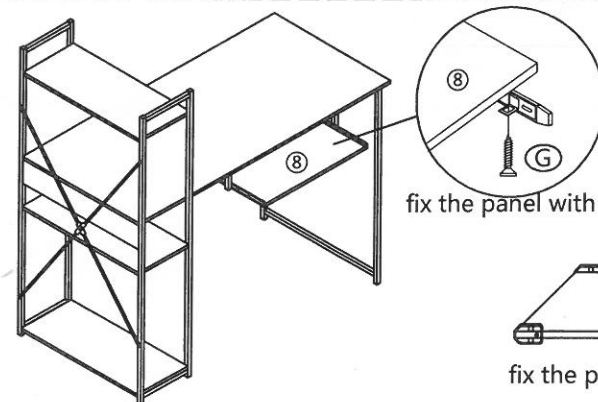
fix ⑦ with (E) and (H)



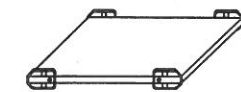
fix ②③④ with (D)



fix ⑤⑥ with (B) and (F)



fix the panel with (G)



fix the panel with (G)