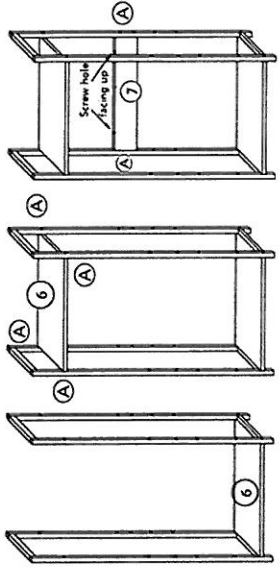
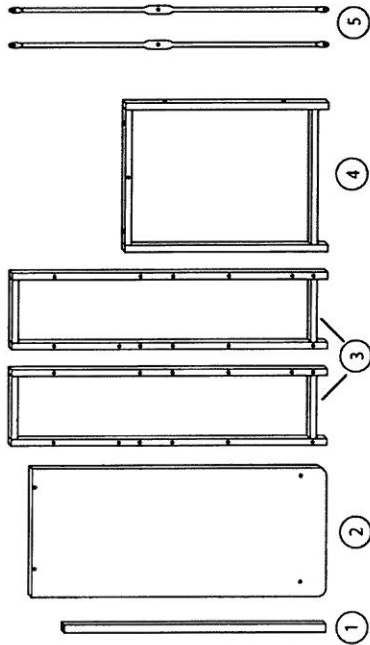
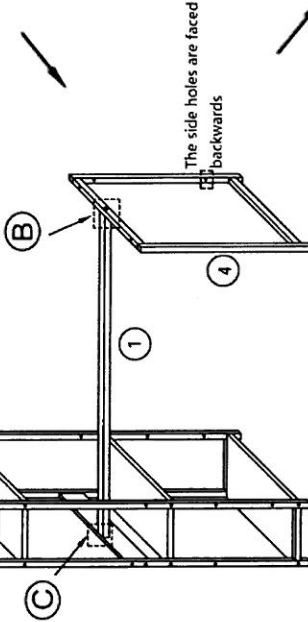
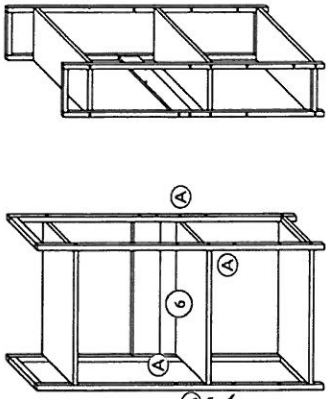


Item	(A)	(B)	(C)	(D)
Accesorios				

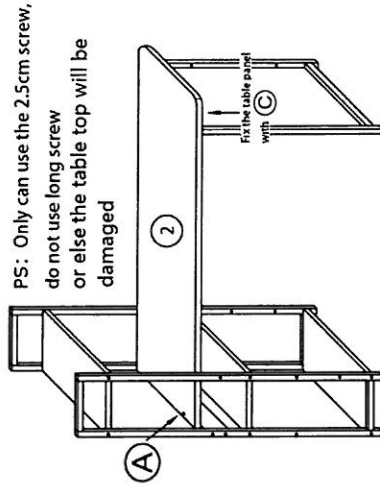


The shelf can be adjusted up and down



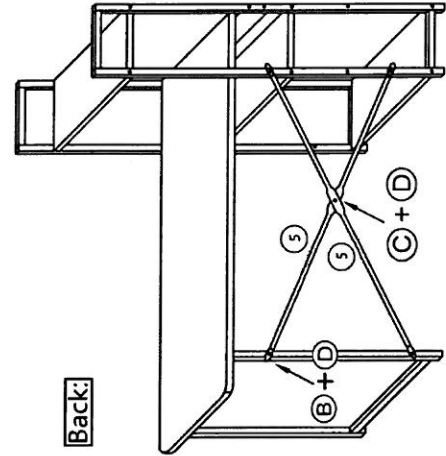
The side holes are faced backwards

Fix with (B) + (C)



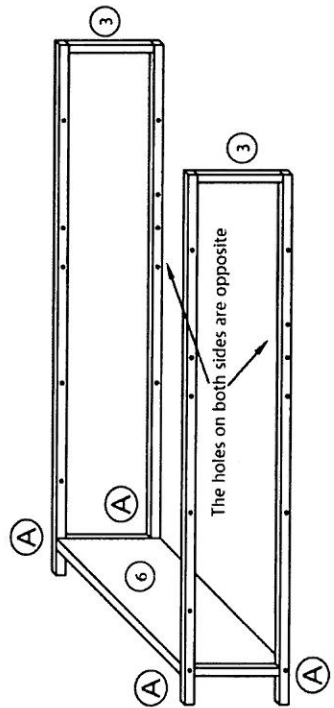
PS: Only can use the 2.5cm screw, do not use long screw or else the table top will be damaged

Fix with (A) + (C)



Back:

Fix with (B) + (C) + (D)



The holes on both sides are opposite

DONE