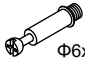








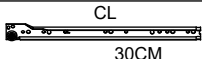



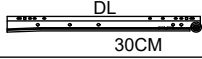

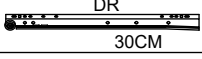

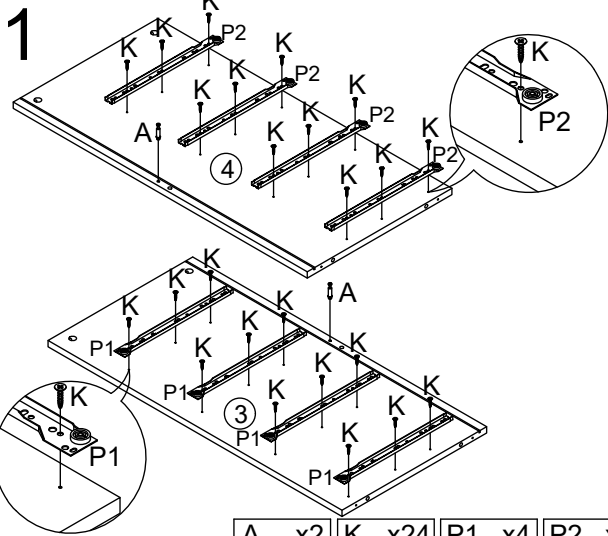
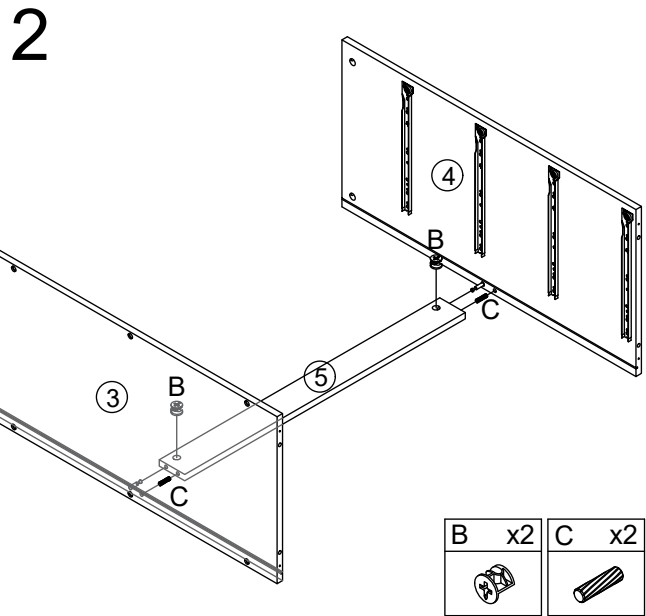


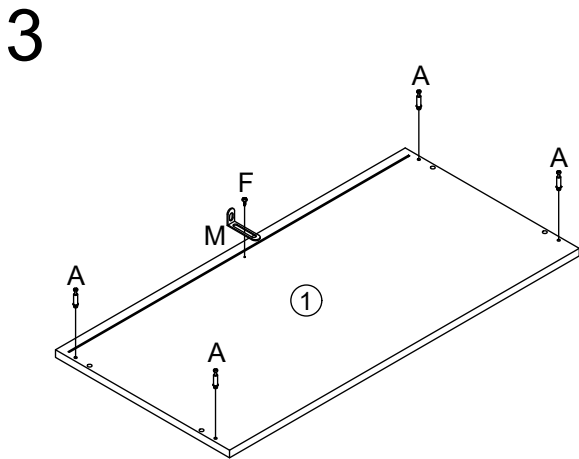
A	 $\Phi 6 \times 35$	26PCS	J	 $\Phi 4 \times 18$	16PCS
B	 $\Phi 15 \times 10$	26PCS	K	 $\Phi 3 \times 12$	40PCS
C	 $\Phi 8 \times 30$	10PCS	L	 $\Phi 3 \times 12$	1PC
D	 $\Phi 4 \times 35$	29PCS	M		1PC
E	 $\Phi 6 \times 30$	12PCS	P1	 CL 30CM	4PCS
F	 $\Phi 4 \times 12$	5PCS	P2	 CR 30CM	4PCS
G		12PCS	P3	 DL 30CM	4PCS
H	 $\Phi 3 \times 16$	12PCS	P4	 DR 30CM	4PCS
I		8PCS			



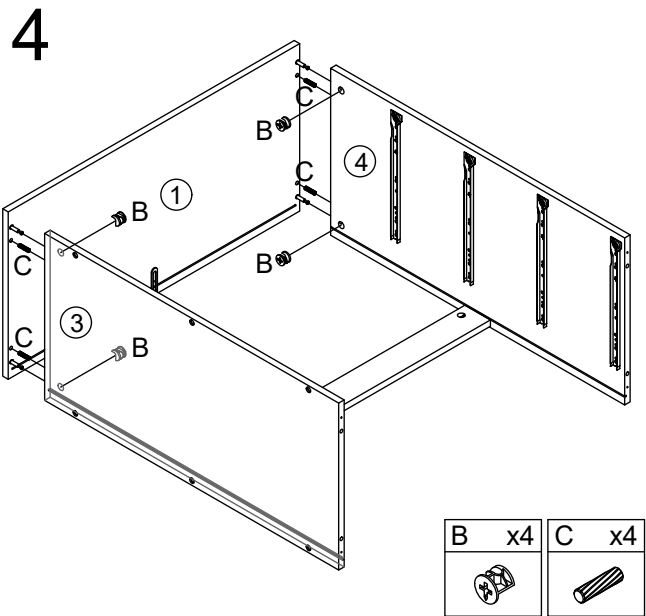
A x2	K x24	P1 x4	P2 x4



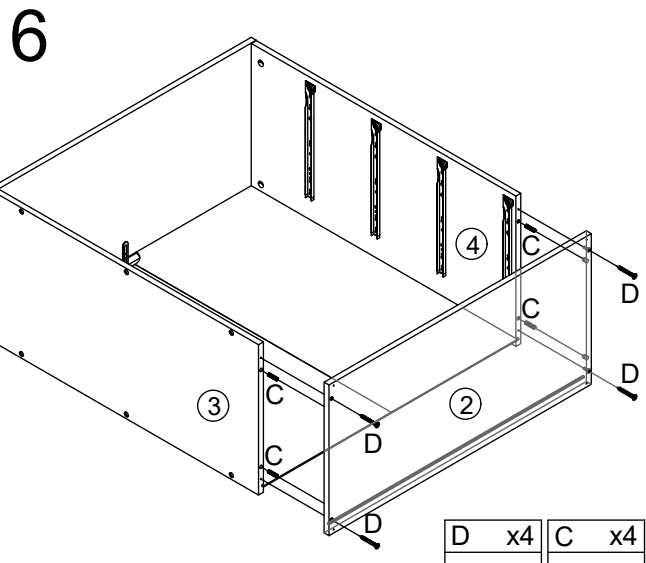
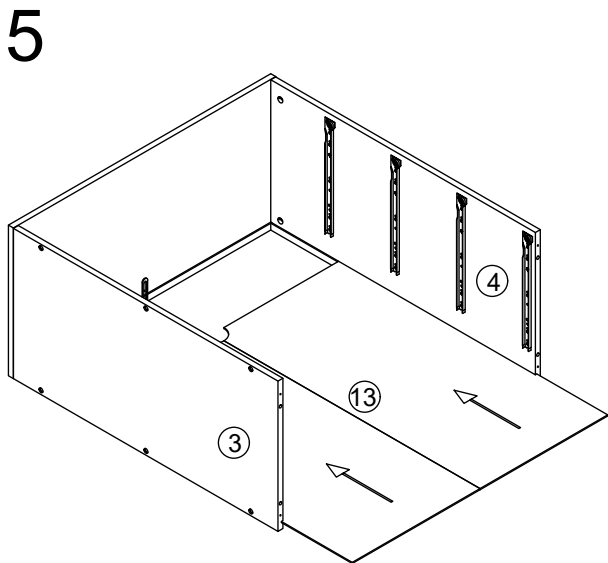
B x2	C x2



F x1	M x1	A x4

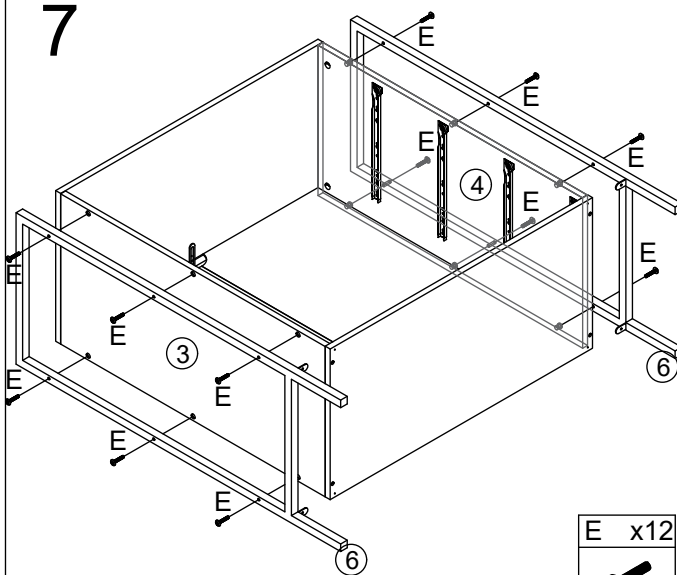


B x4	C x4




D x4	C x4

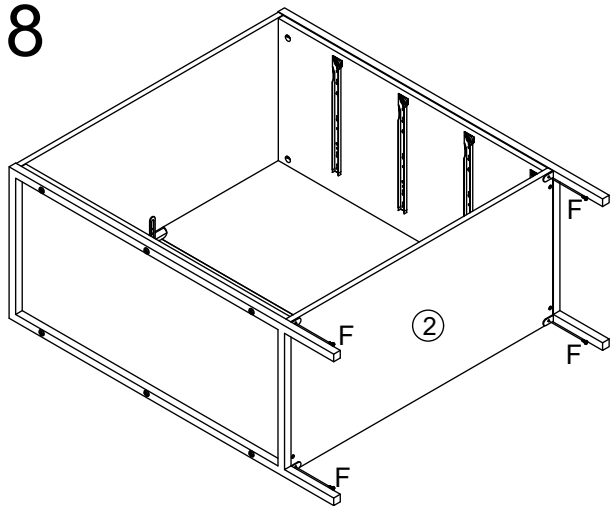
7




E x12



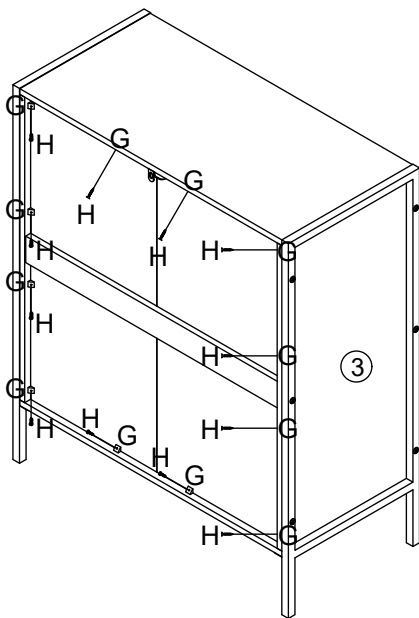
8




F x4




9



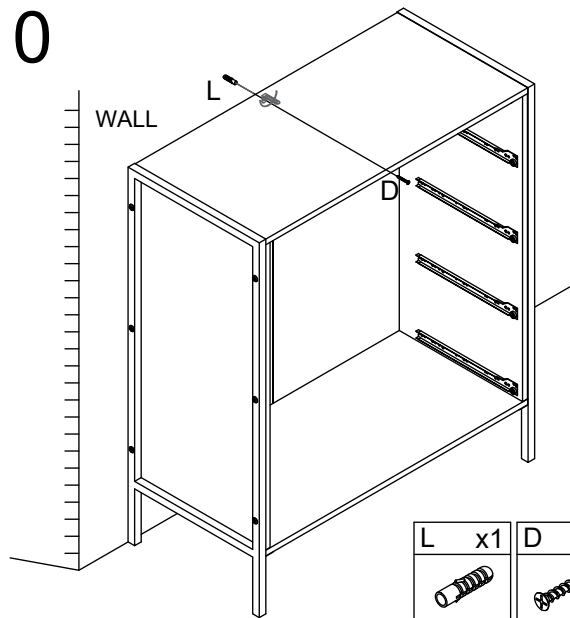
G x12




H x12




10



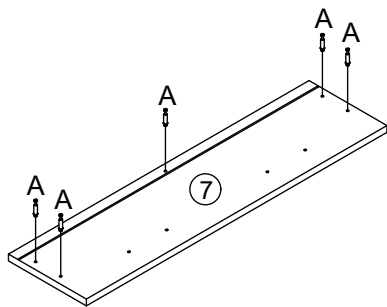
L x1




D x1



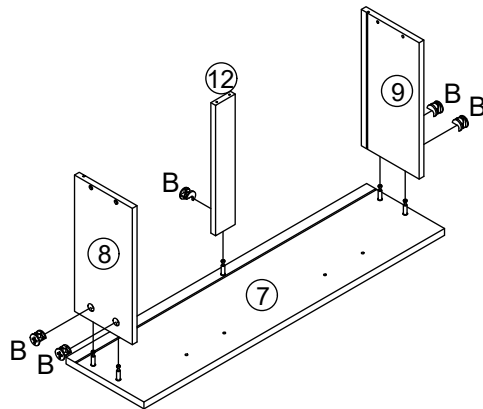
11 x4




A x20



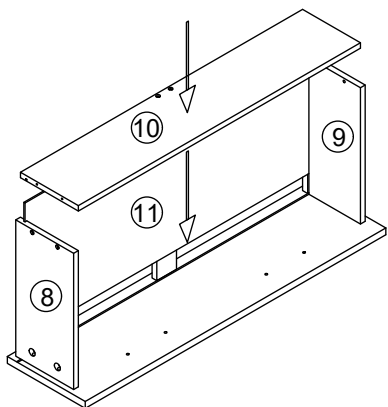
12 x4



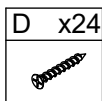
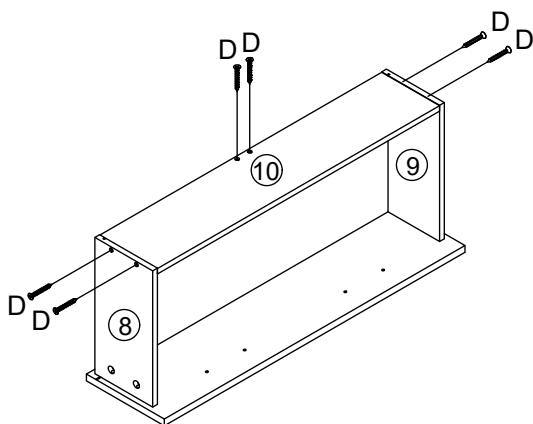
B x20



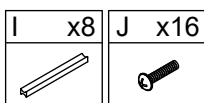
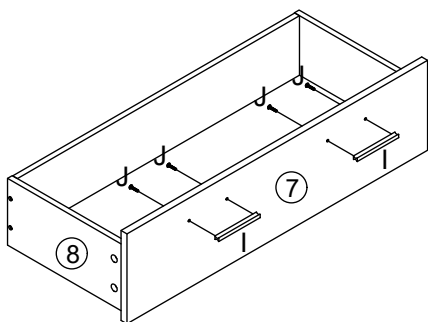
13 x4



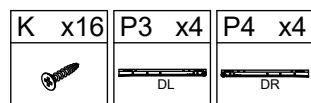
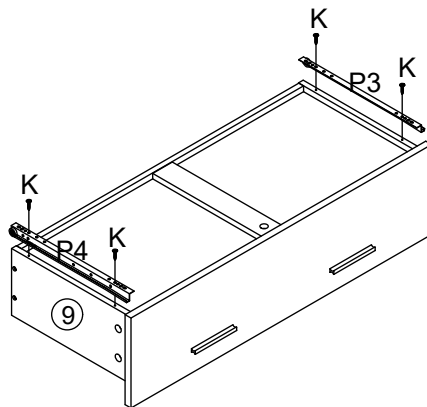
14 x4



15 x4



16 x4



17

