

# 5 DRAWERS CHEST

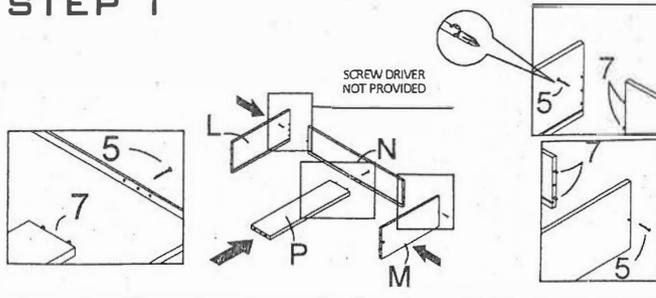
## HARDWARE LIST

NO	DESCRIPTION	QTY
1	5654 QUICKFIT HOUSING	12 PCS
2	5570 QUICKFIT BOLT	12 PCS
3	5574 QUICKFIT HOUSING	15 PCS
4	5546 QUICKFIT BOLT	15 PCS
5	M4 X 32MM CHIPBOARD SCREW	15 PCS
6	M3 X 12MM CHIPBOARD SCREW	60 PCS
7	M6 X 30MM WOOD DOWEL	60 PCS
8	M8 X 25MM WOOD DOWEL	20 PCS
9	5/8" PVC NAIL WITH PIN	4 PCS
10	350MM S108 13" METAL SLIDE 13"	5 SETS
11	827-96MM METAL HANDLE 96MM	10 PCS
12	M4 X 19MM HANDLE SCREW	20 PCS
13	M4 ALLEN KEY	1 PC
14	5/8" NAIL	22 PCS

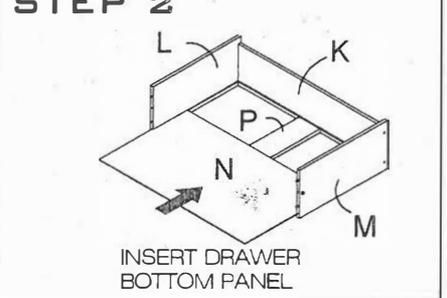
## PARTS LIST

NO	DESCRIPTION	QTY
A	TOP PANEL	1
B	SIDE PANEL-LEFT	1
C	SIDE PANEL-RIGHT	1
D	BOTTOM PANEL	1
E	LEG PANEL FRONT	1
F	LEG PANEL BACK	1
G	BACK HANGING TOP PANEL	1
H	BACK HANGING MIDDLE PANEL	1
J	DRAWER HANDLE PANEL	5
K	DRAWER BACK PANEL	5
L	DRAWER SIDE PANEL-LEFT	5
M	DRAWER SIDE PANEL-RIGHT	5
N	DRAWER BOTTOM PANEL	5
P	DRAWER BOTTOM SUPPORT	5
Q	BACK PANEL	2

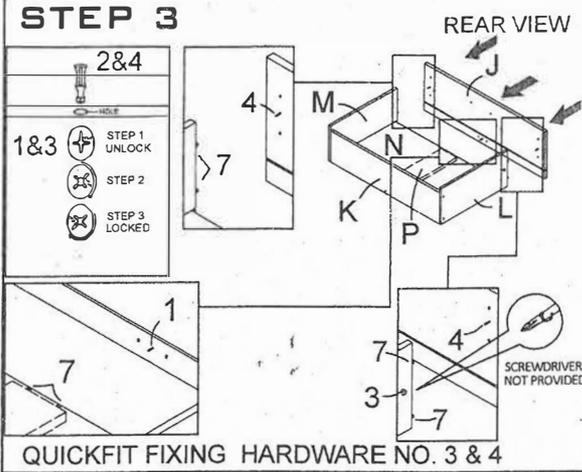
### STEP 1



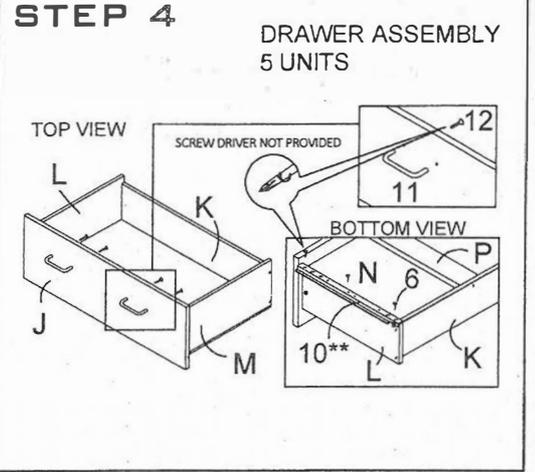
### STEP 2



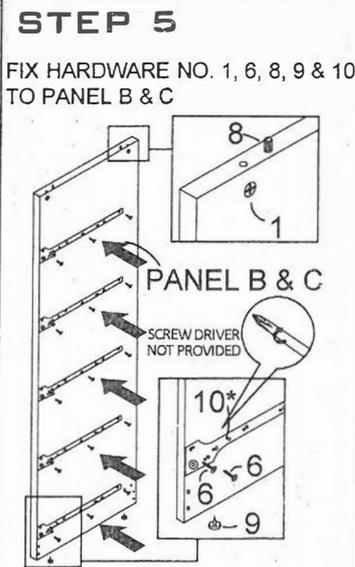
### STEP 3



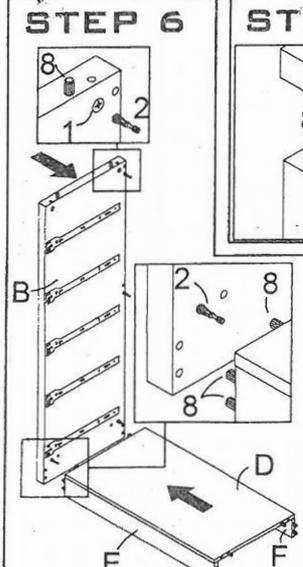
### STEP 4



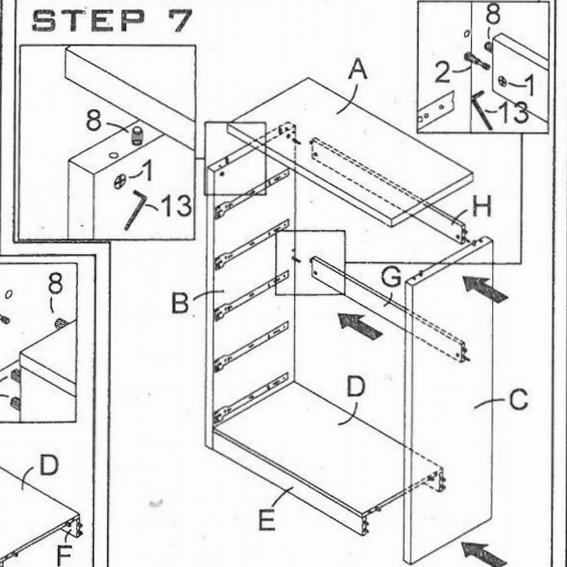
### STEP 5



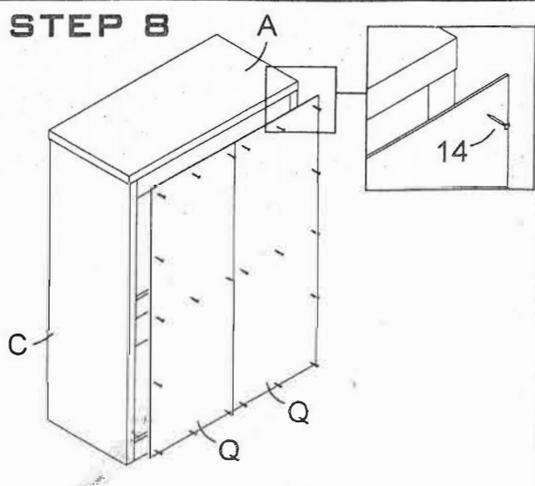
### STEP 6



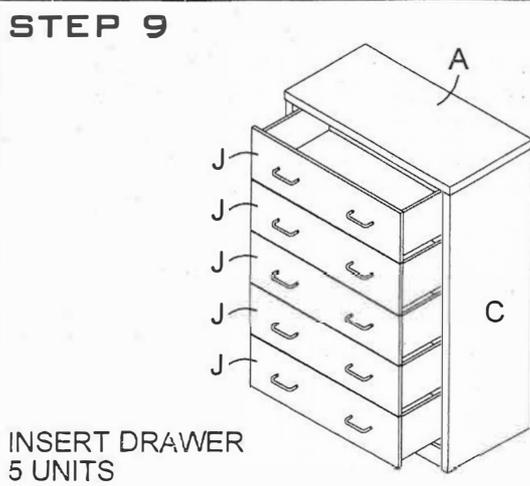
### STEP 7



### STEP 8



### STEP 9



### COMPLETED ASSEMBLY

