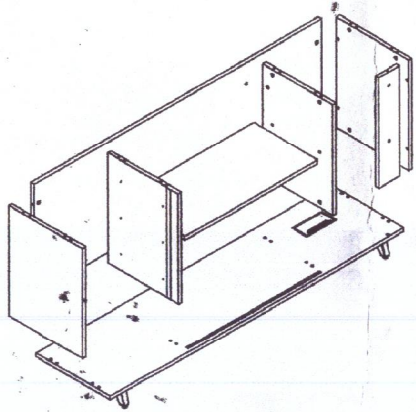


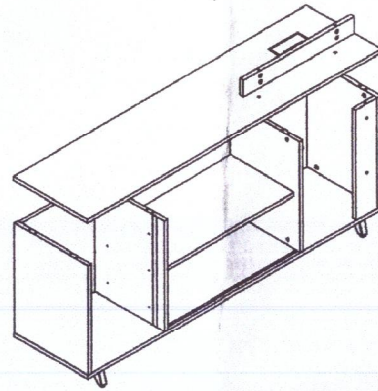
Item NO: E0911 E0910 E0919 E0918

# Assembly diagram

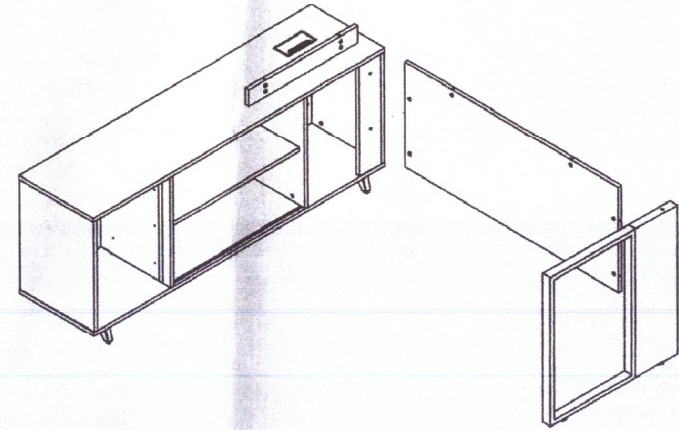
1



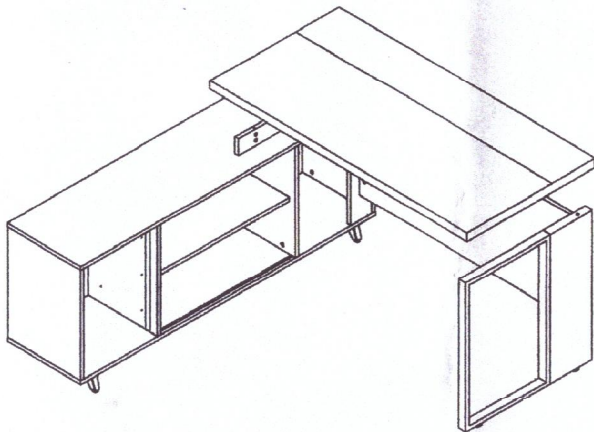
2



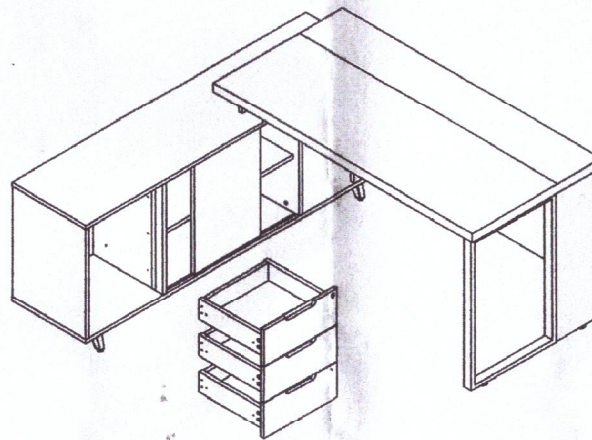
3



4



5



6

