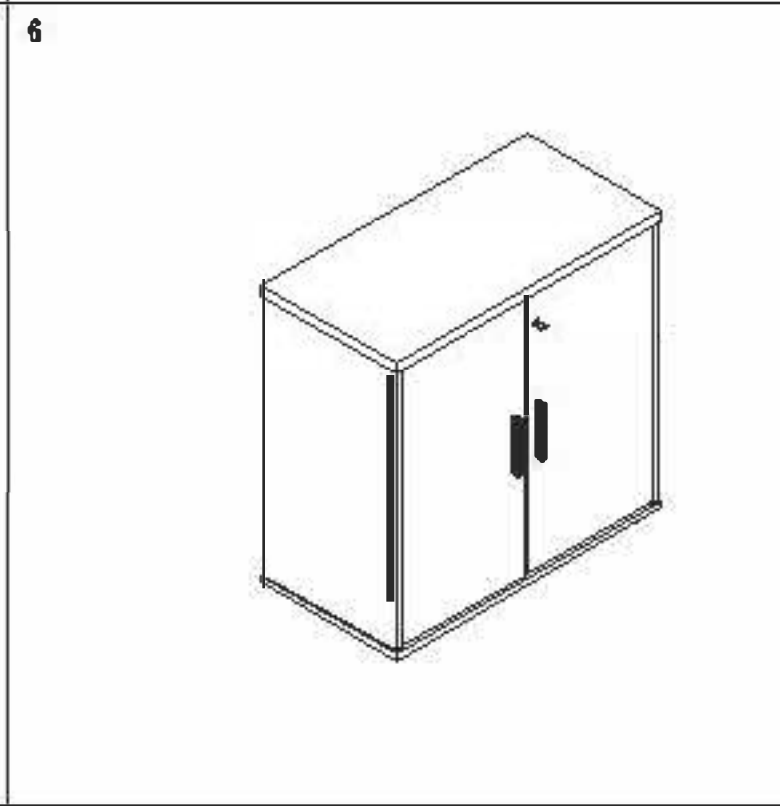
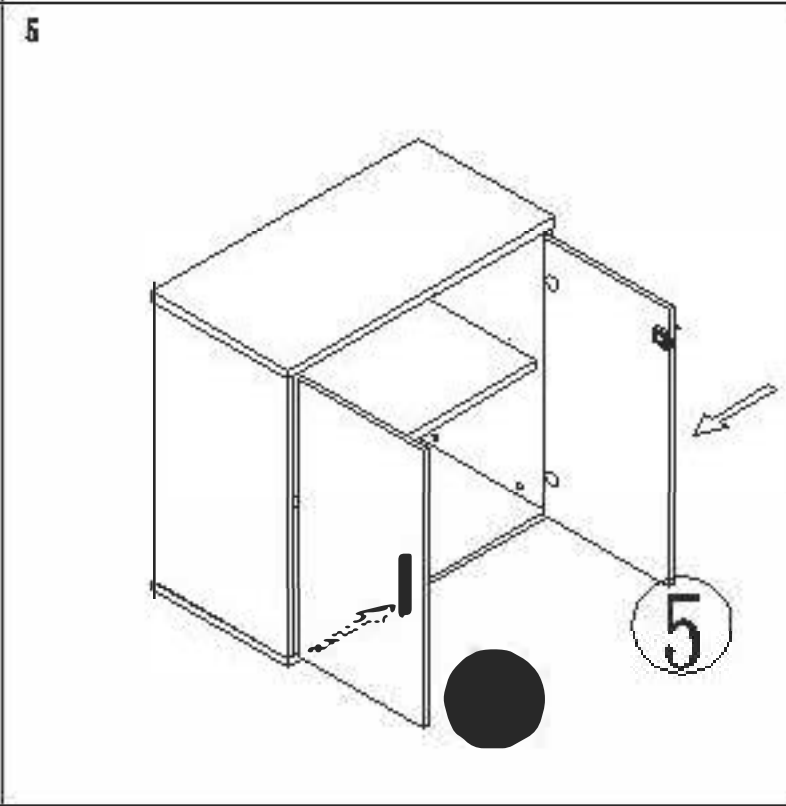
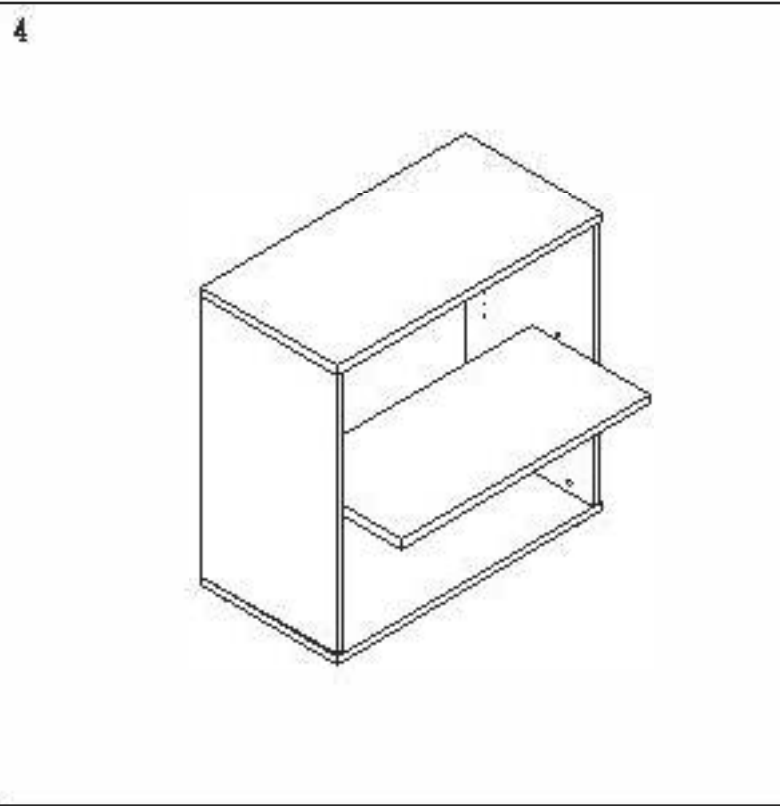
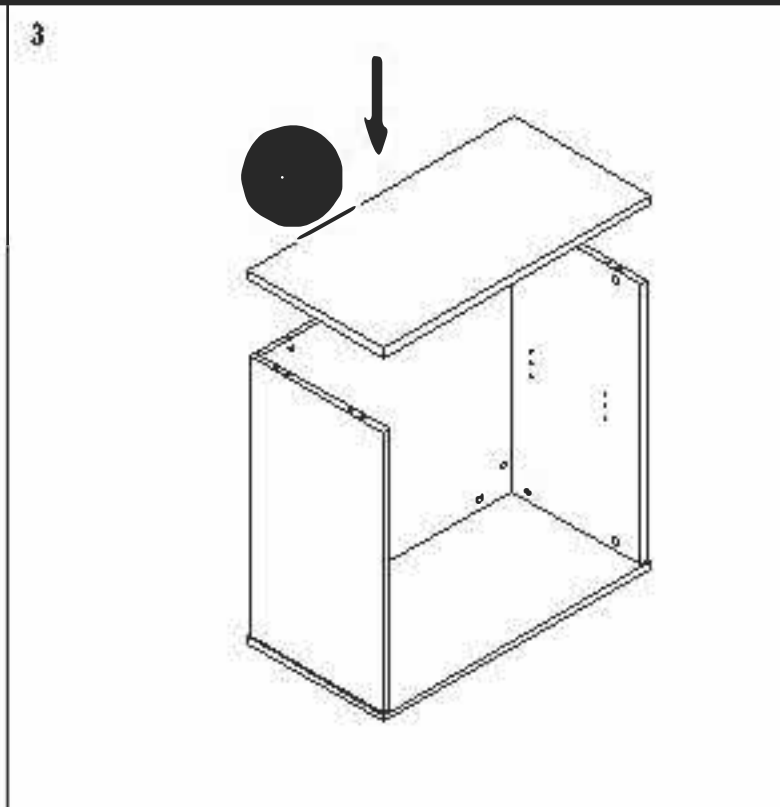
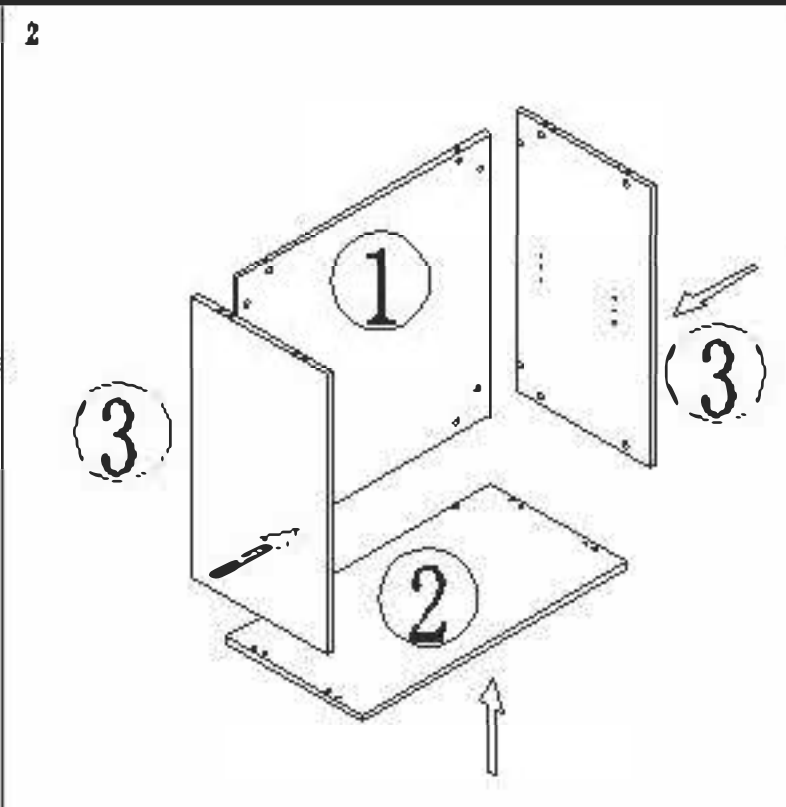
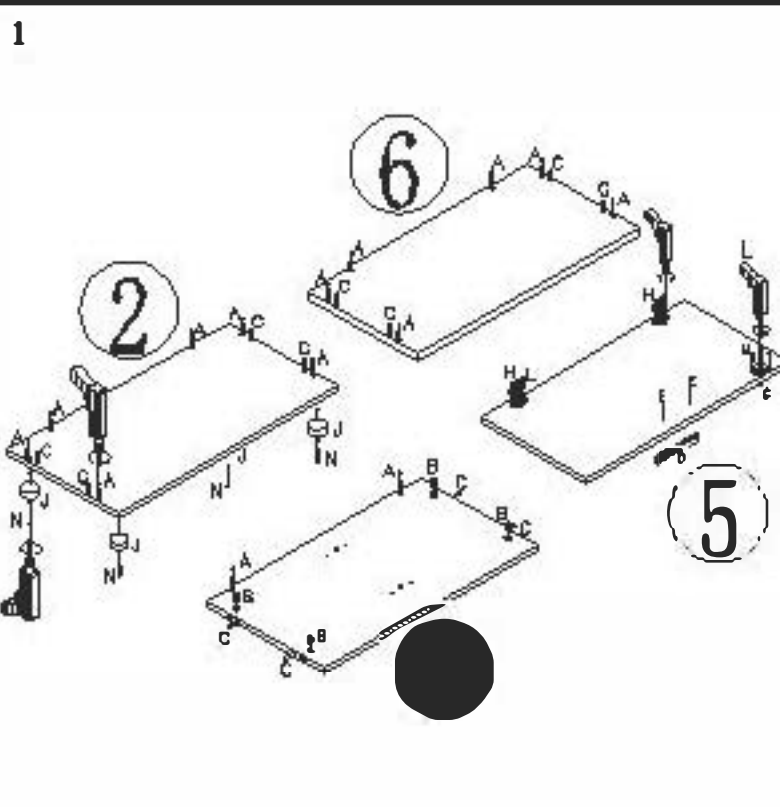


Assembly diagram



A	M8x20mm		16
B	∅16x12mm		16
C	∅8x30mm		8
D	96mm		2
E	M4x2mm		4
G	∅20mm		1
H	∅36mm		4
J	∅60x20mm		4
K	∅5x12mm		4
L	M3.5x14mm		30
M	M3.5x20mm		4
N	M4x80mm		4

1	760x684x18	1
2	800x400x18	1
3	684x398x18	2
4	758x358x18	1
5	680x377x18	2
6	800x400x25	1