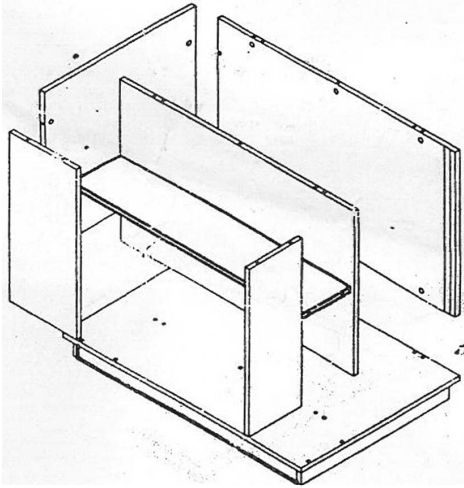
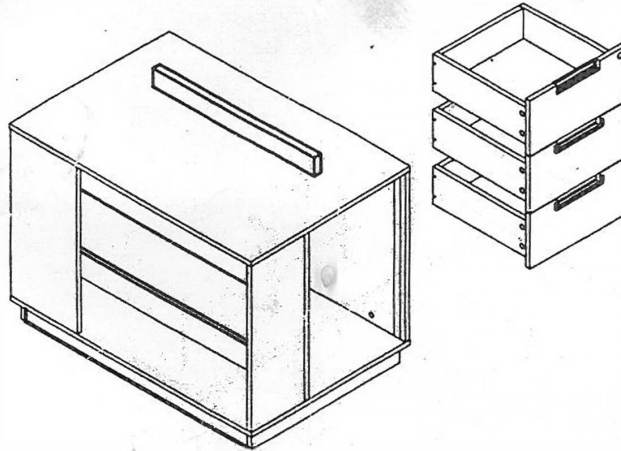


Assembly diagram

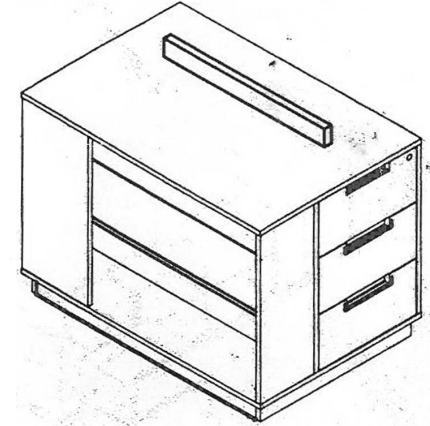
1



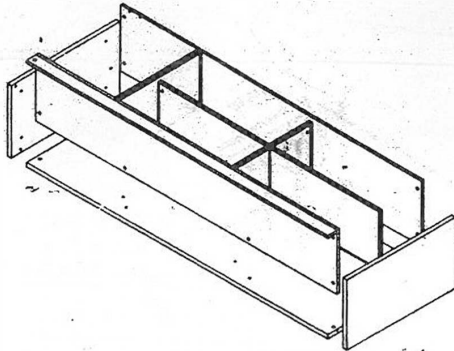
2



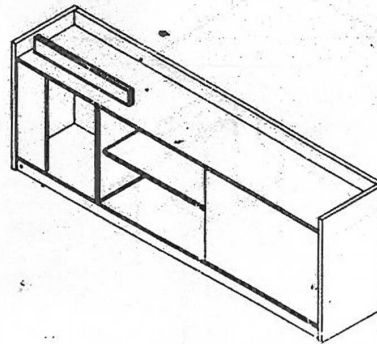
3



4



5



6

