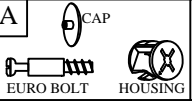


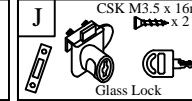
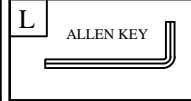
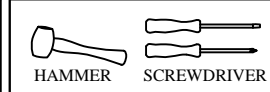
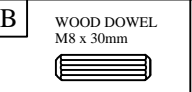


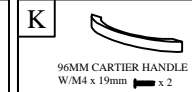
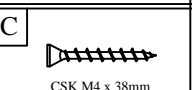
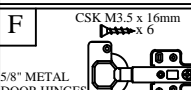
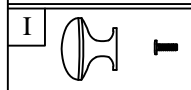
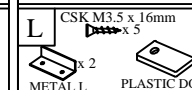
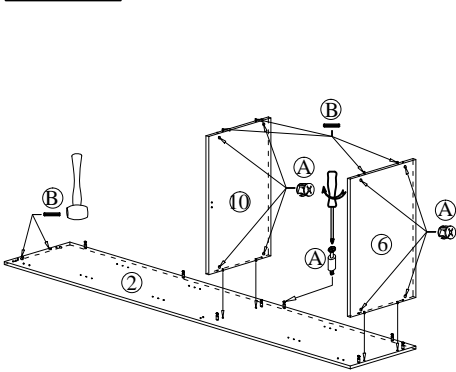


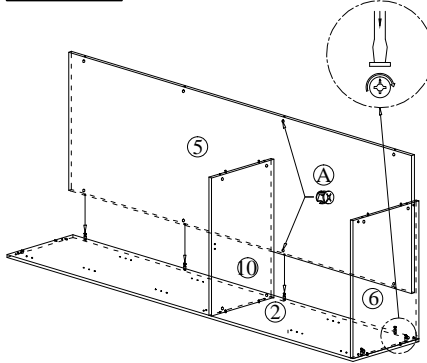
# ASSEMBLY INSTRUCTION

PART	QTY	PART	QTY	PART	QTY	PART	QTY	PART	QTY
A	24 SETs	D	12 pcs	G	1 SETs	J	1 SET	L	1 pc
									
PART	QTY	PART	QTY	PART	QTY	PART	QTY	<i>Tools Required</i>	
B	24 pcs	E	4 pcs	H	2 SETs	K	2 SETs		
									
PART	QTY	PART	QTY	PART	QTY	PART	QTY		
C	4 pcs	F	4 SETs	I	2 SETs	L	1 SET		
									

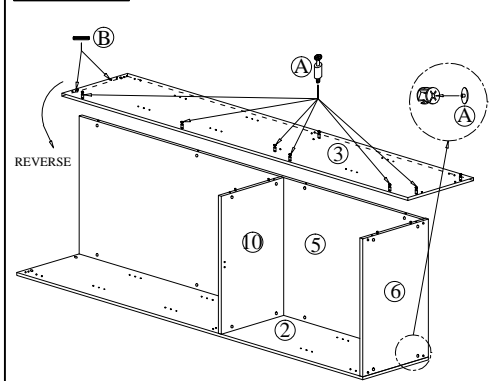
## STEP 1



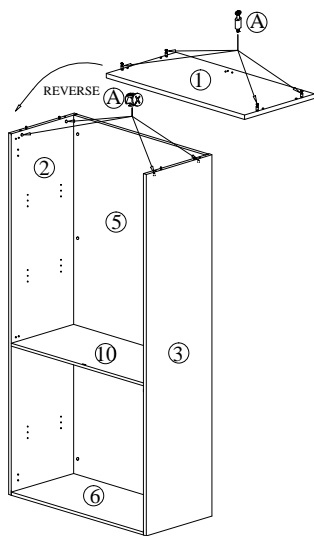
## STEP 2



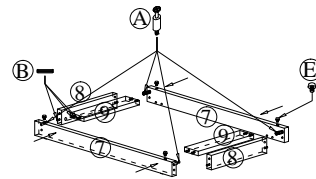
## STEP 3



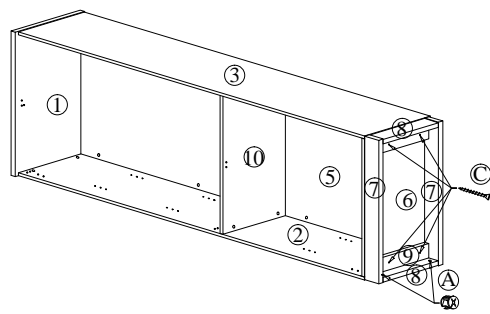
## STEP 4



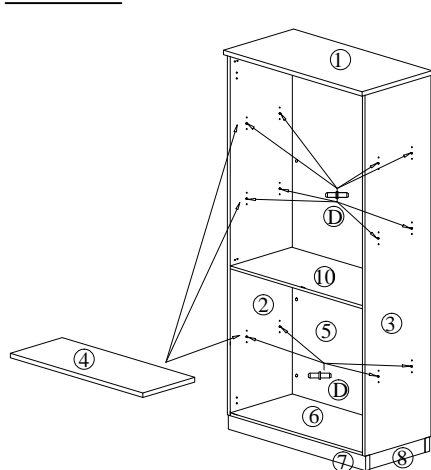
## STEP 5



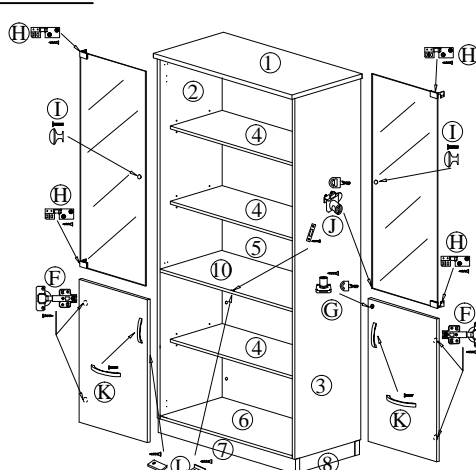
## STEP 6



## STEP 7



## STEP 8



## FINISHING

