
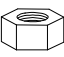
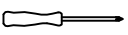
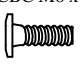


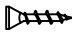
ASSEMBLY INSTRUCTION

PART	QTY
A ALLEN KEY 	1 pc

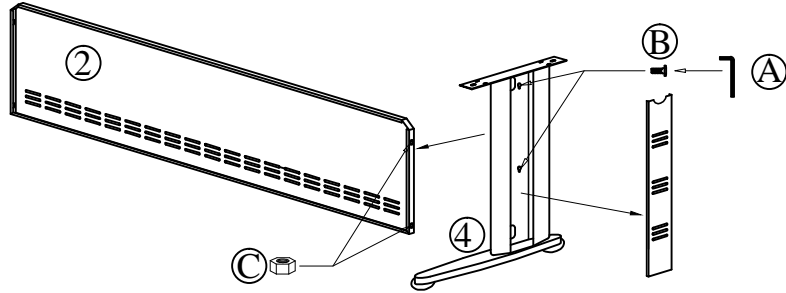
PART	QTY
C HEXAGON NUT 	4 pcs

<i>Tools Required</i>
 SCREWDRIVER

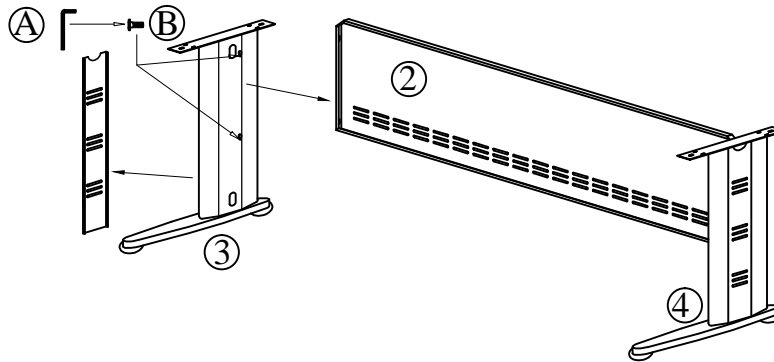
PART	QTY
B JCBC M6 x 16mm 	8 pcs

PART	QTY
D M3.5 x 20mm 	8 pcs

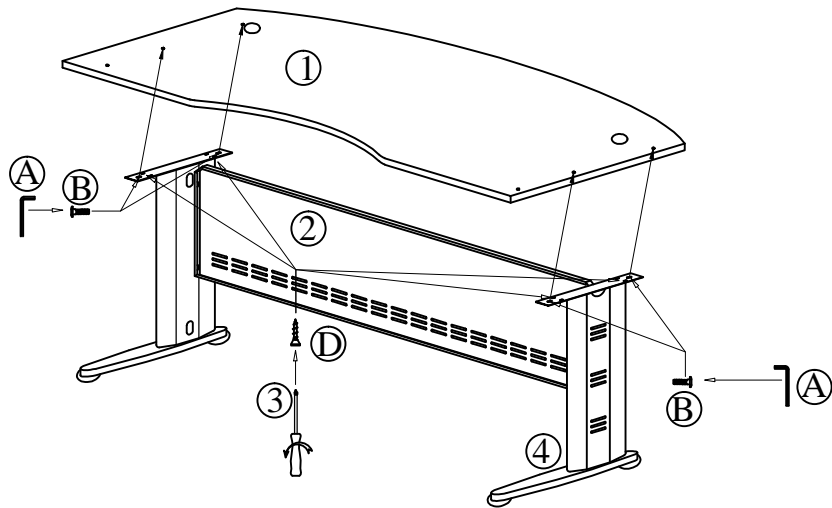
STEP 1



STEP 2



STEP 3



FINISHING

