

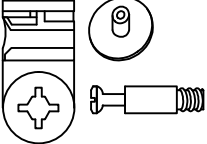


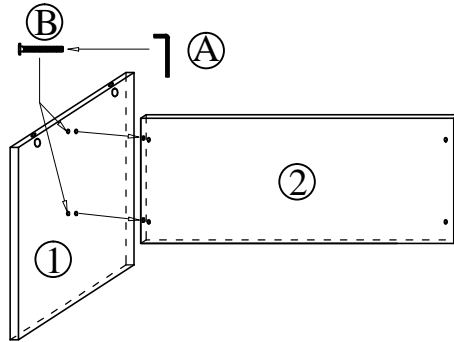
# ASSEMBLY INSTRUCTION

PART	QTY
A 	1

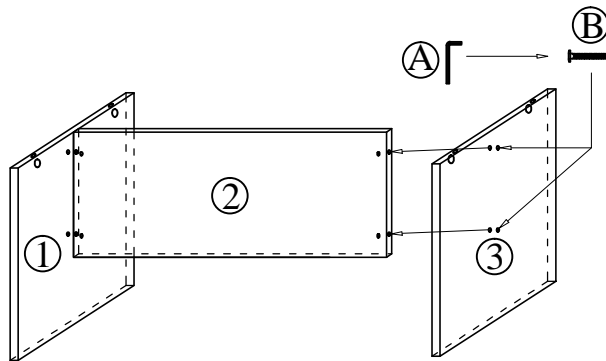
PART	QTY
B M6 x 50mm 	4

PART	QTY
C 	4 SETs

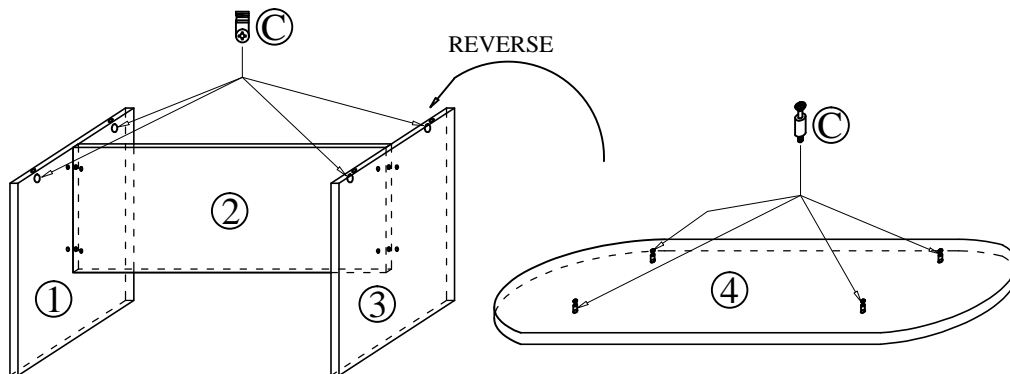
## STEP 1



## STEP 2



## STEP 3



## FINISHING

