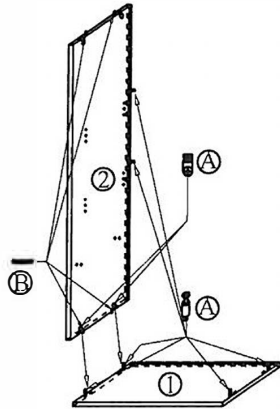


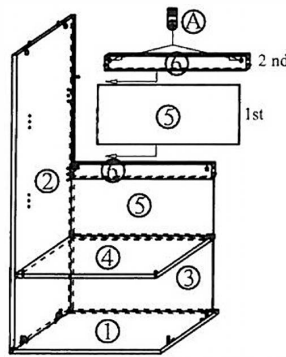
ASSEMBLY INSTRUCTION

PART	QTY	PART	QTY	PART	QTY	PART	QTY
A	12 SETs	C	1	E	8	G	4 SETs
B	8	D	4	F	1 SET	H	1 SET

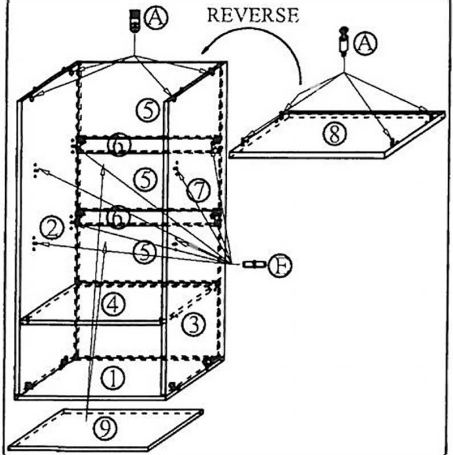
STEP 1



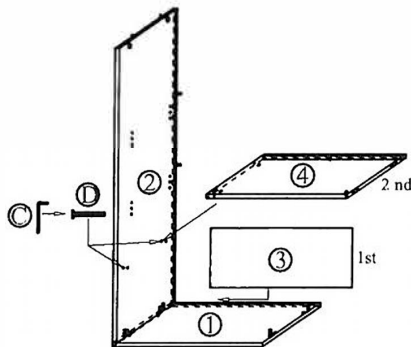
STEP 4



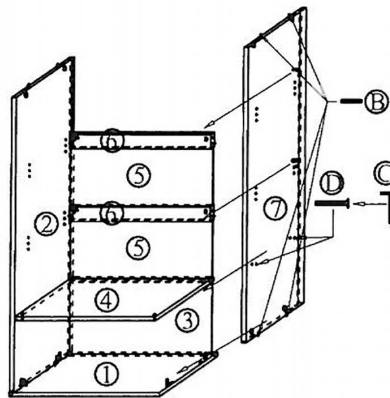
STEP 7



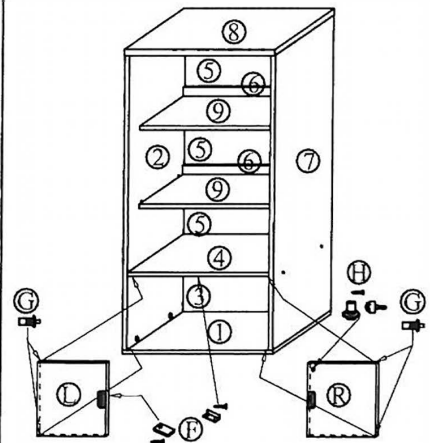
STEP 2



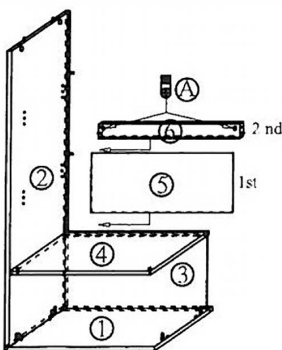
STEP 5



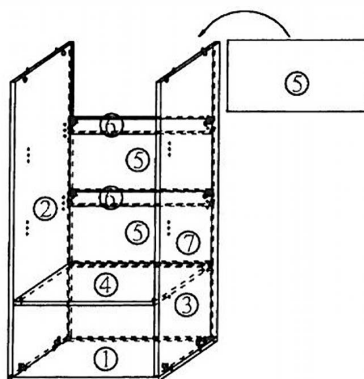
STEP 8



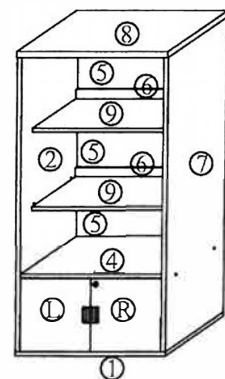
STEP 3



STEP 6




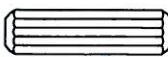
FINISHING



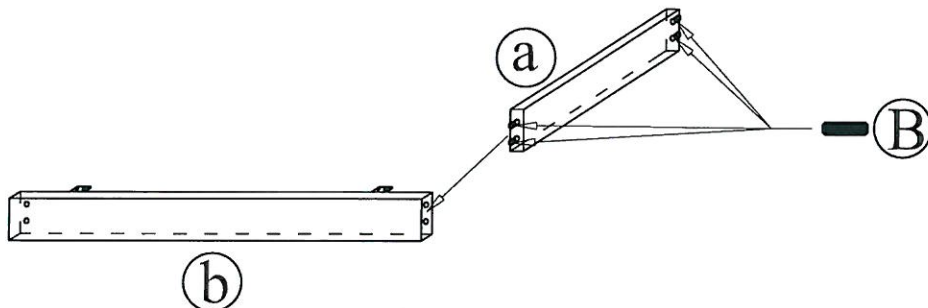
ASSEMBLY INSTRUCTION

MODEL: GB880

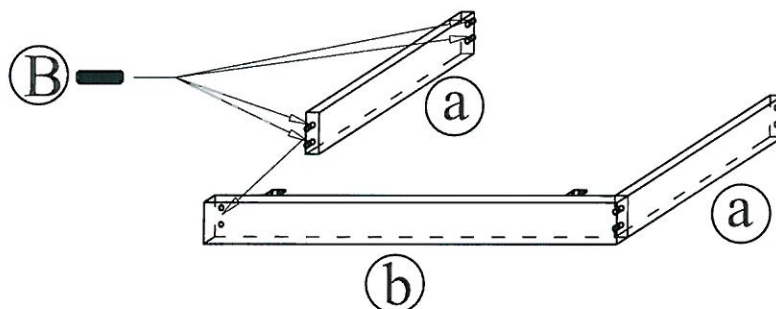
PART	QTY
A M3.5 x 16mm 	8

PART	QTY
B 8 x 30mm 	8

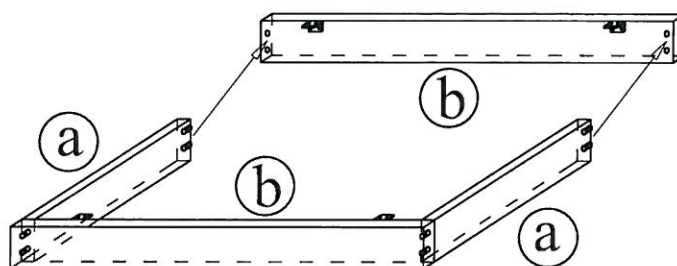
STEP 1



STEP 2



STEP 3



FINISHING

