

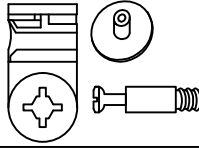


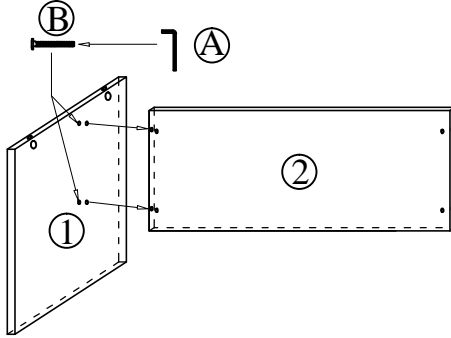
ASSEMBLY INSTRUCTION

PART	QTY
	1

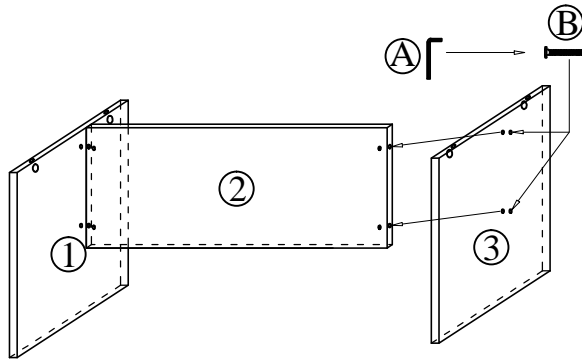
PART	QTY
 M6 x 50mm	4

PART	QTY
	4 SETs

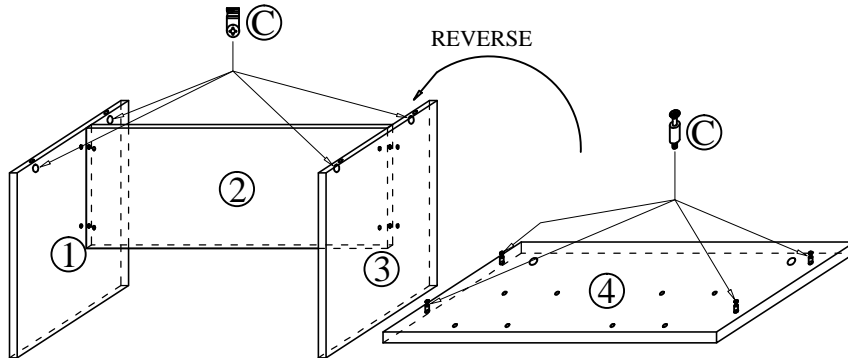
STEP 1



STEP 2



STEP 3



FINISHING

