

ASSEMBLY INSTRUCTIONS







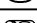
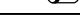
MODEL: CALEB DINING CHAIR

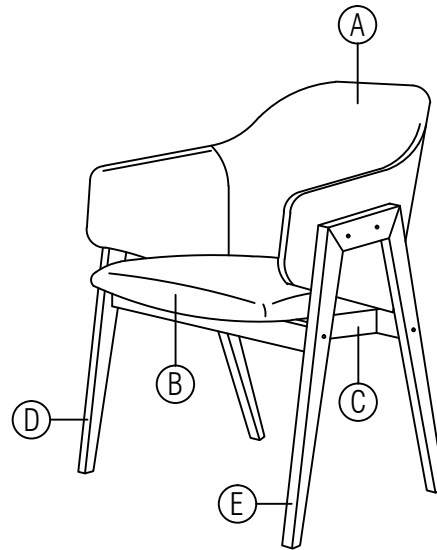
Before you begin, please follow Assembly Instructions Carefully, then follow them step by step.

PART LIST

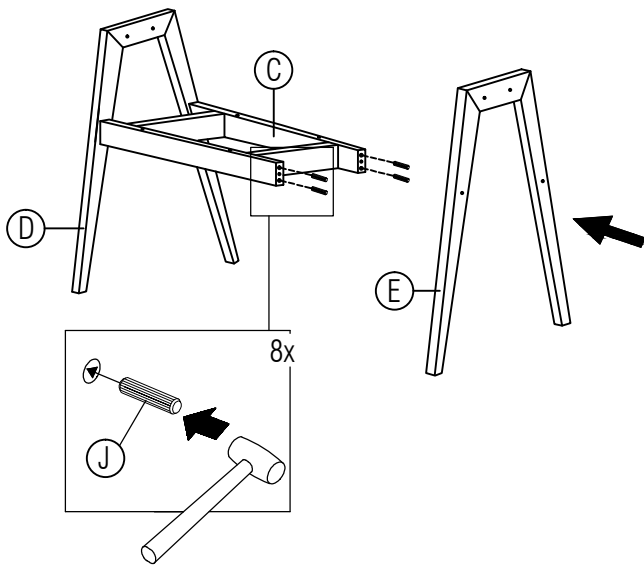
A	BACK REST	1PC
B	CUSHION SEAT	1PC
C	SEAT FRAME	1PC
D	FRAME LEG -LEFT	1PC
E	FRAME LEG -RIGHT	1PC

HARDWARE LIST

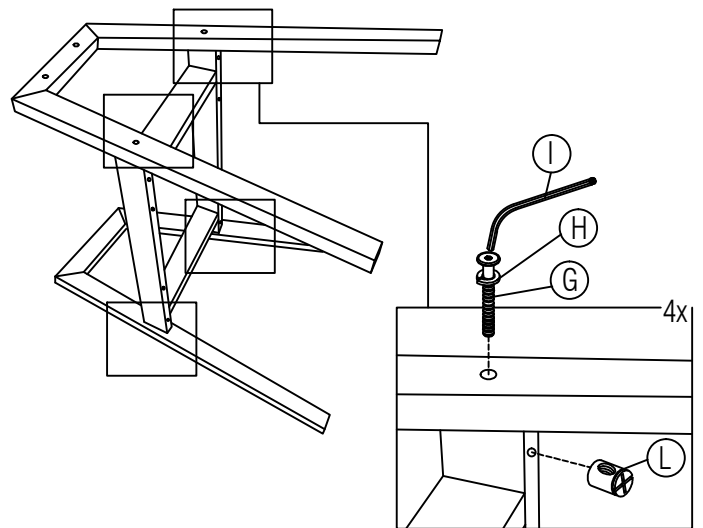
F	JCBC SCREW M6 x 35MM		4PCS
G	JCBC SCREW M6 x 60MM		4PCS
H	SPRING WASHER 1/4"		8PCS
I	ALLEN KEY M4		1PC
J	WOOD DOWEL Ø8 X 35MM		8PCS
K	WOOD BUTTON Ø14.5 X 9MM		8PCS
L	BARREL NUT M6 x 13MM		4PCS
M	CSK CB SCREW #8 x 32MM		4PCS



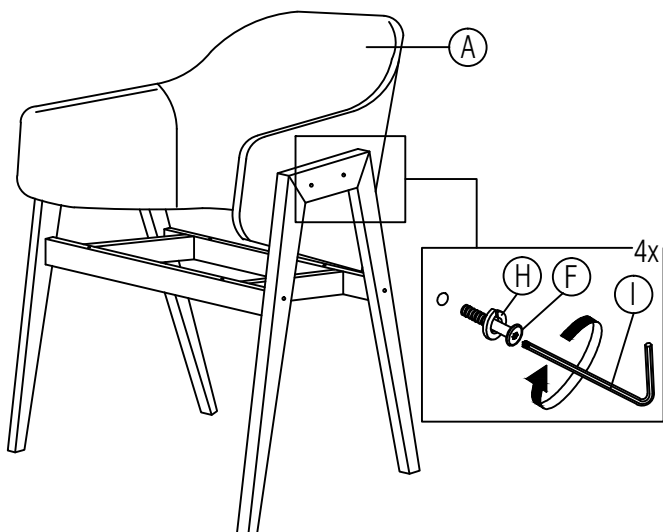
STEP 1



STEP 2



STEP 3



STEP 4

