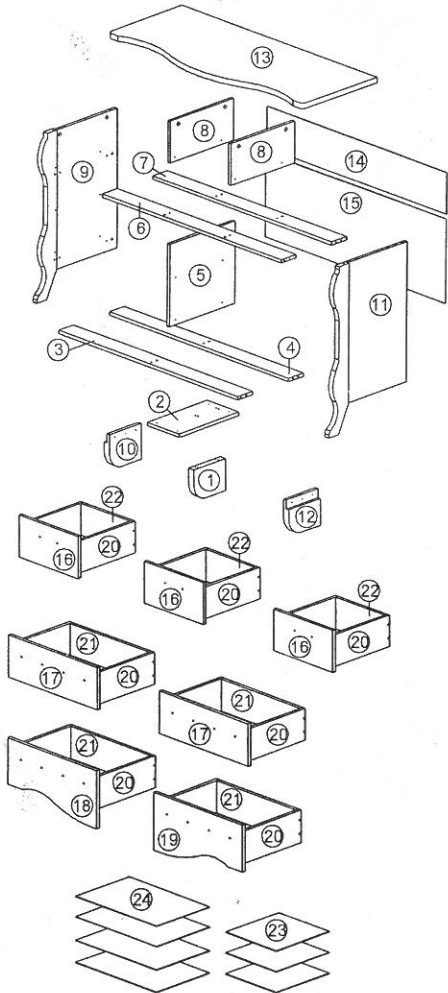


ASSEMBLY INSTRUCTION

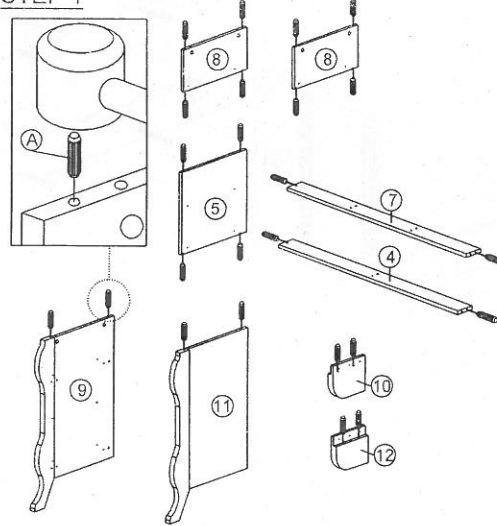
DESCRIPTION : 7 DRAWER DESSER

HARDWARE	A	B1	B2	C	D	E	F	G	H	I	J	K	L	M
	24	20	20	20	92	10	56	7	14	12	1	2	90	7 SETS

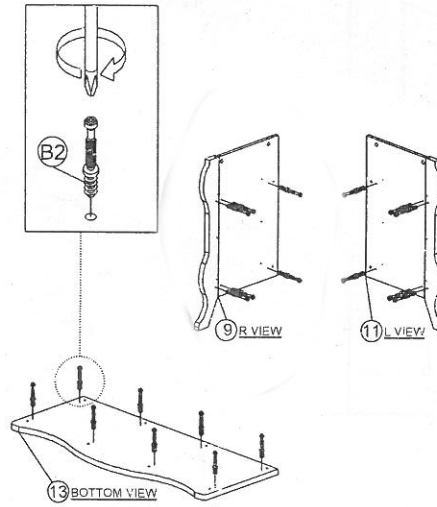
PART LIST



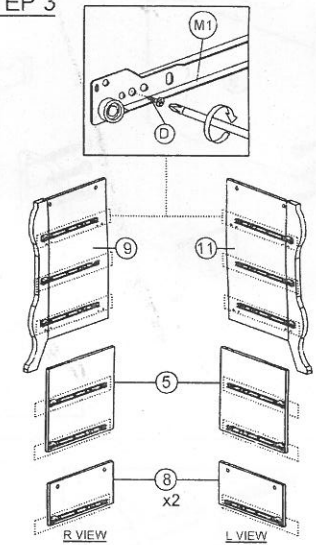
STEP 1



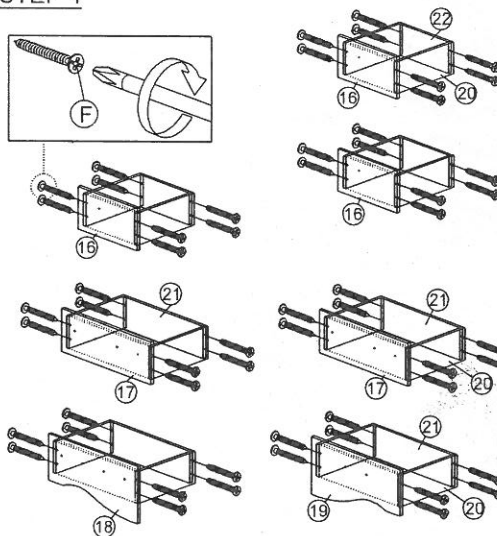
STEP 2



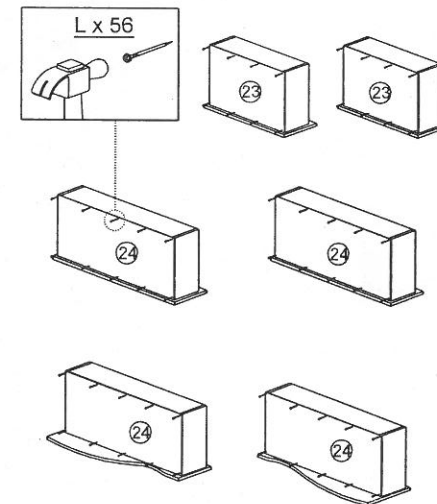
STEP 3



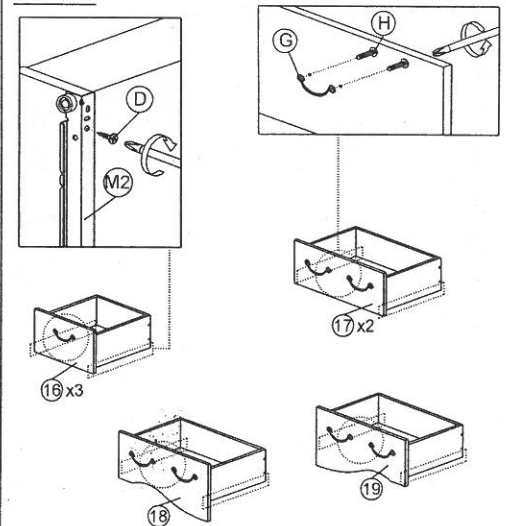
STEP 4

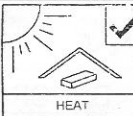
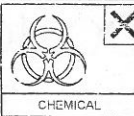


STEP 5



STEP 6

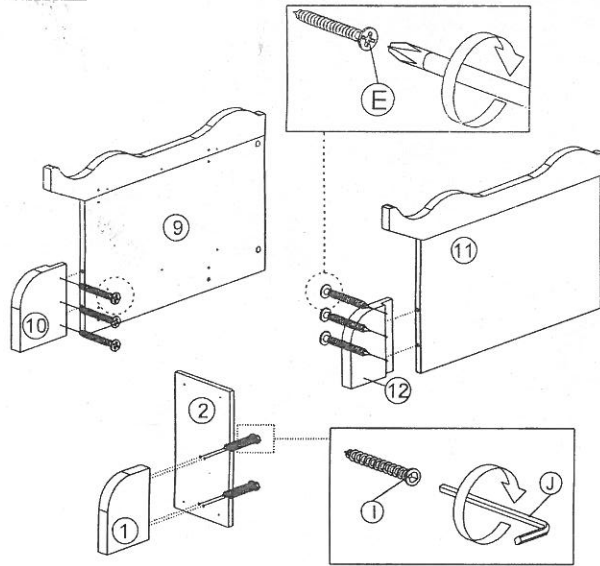




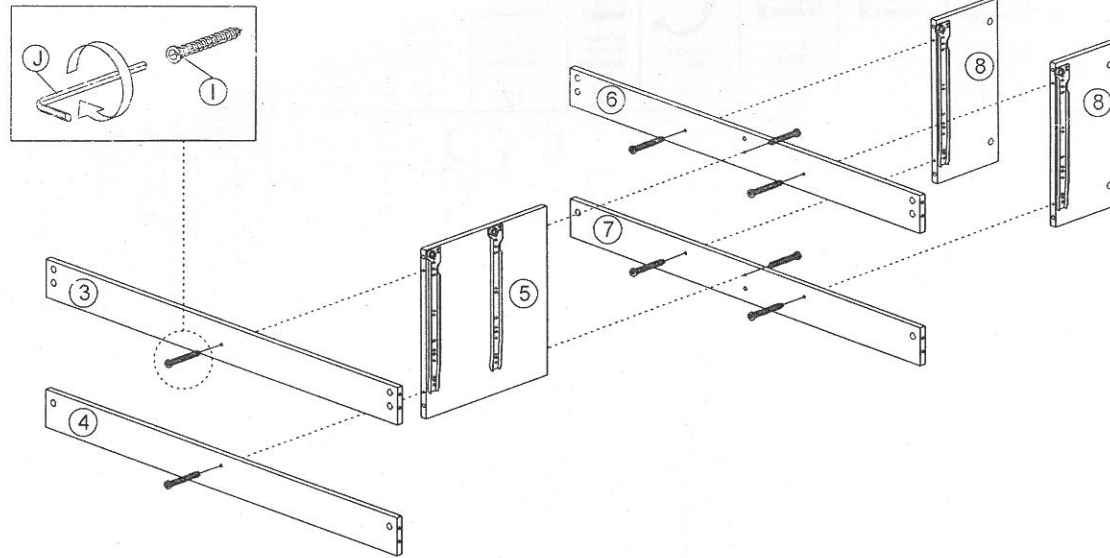
ASSEMBLY INSTRUCTION

DESCRIPTION : 7 DRAWER DESSER

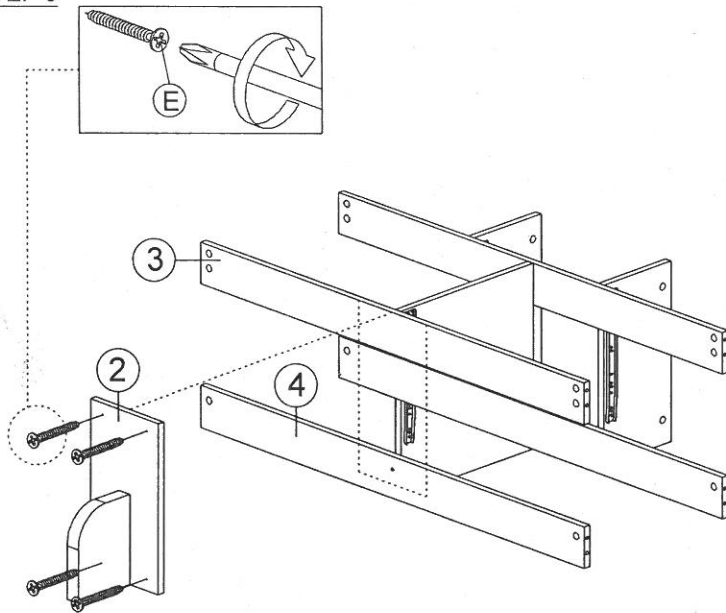
STEP 7



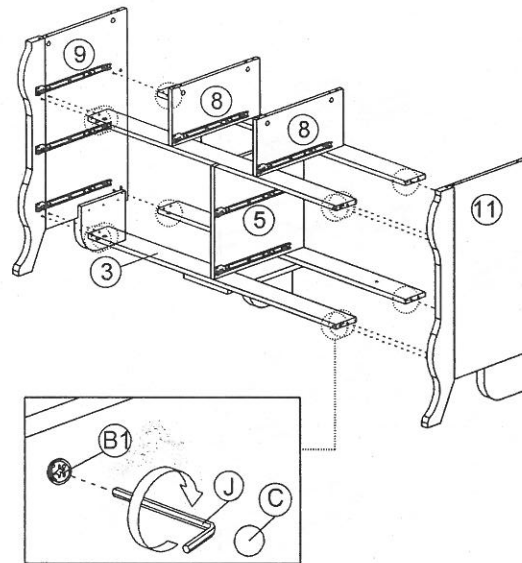
STEP 8



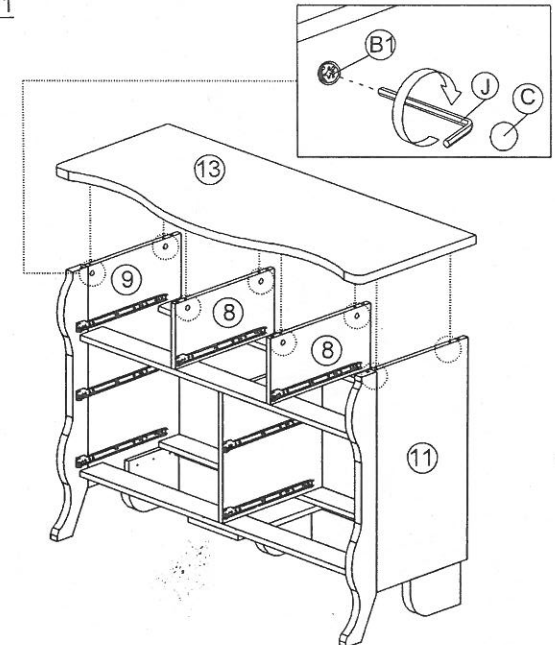
STEP 9



STEP 10



STEP 11





SOFT, DRY CLOTH



CHEMICAL



HEAT



KEEP DRY



HANDLE WITH CARE

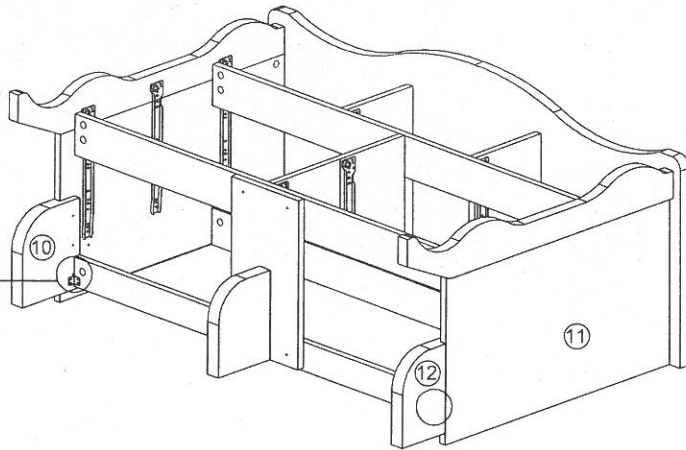
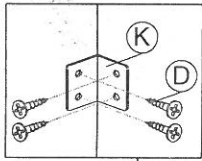


DO NOT USE KNIFE

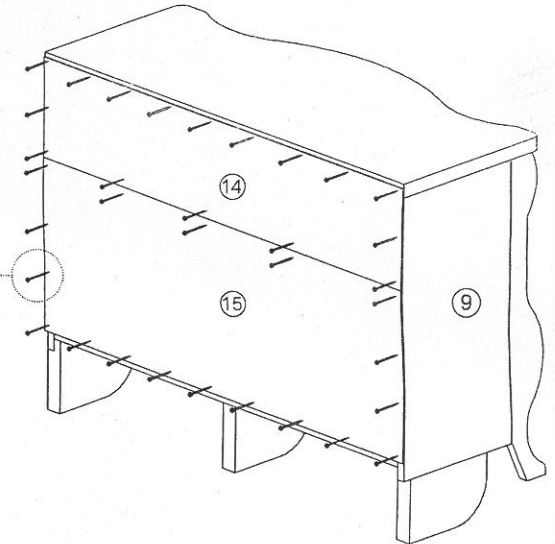
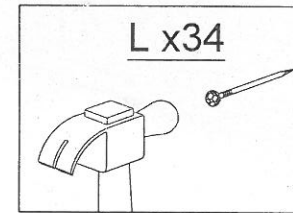
ASSEMBLY INSTRUCTION

DESCRIPTION : 7 DRAWER DESSER

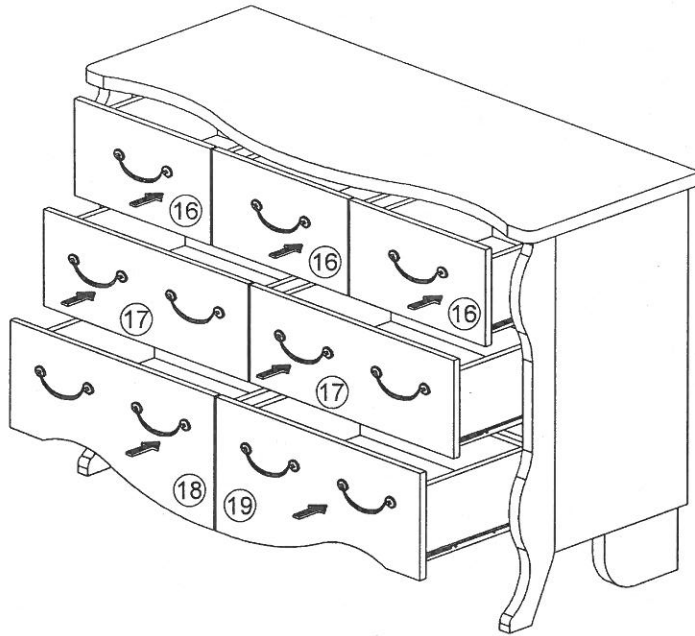
STEP 12



STEP 13



STEP 14



COMPLETED

