

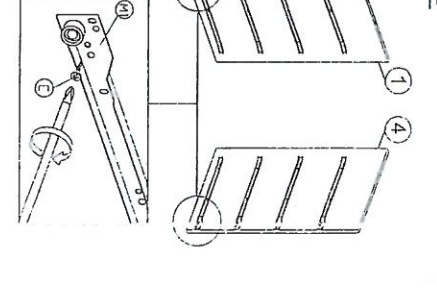
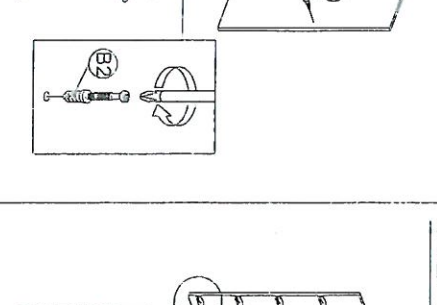
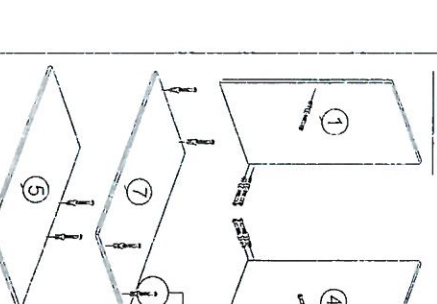
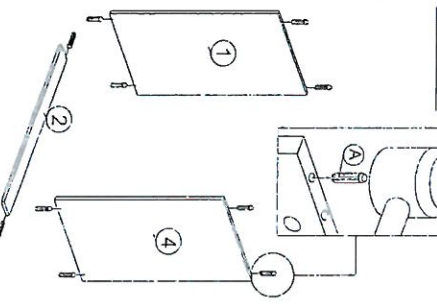
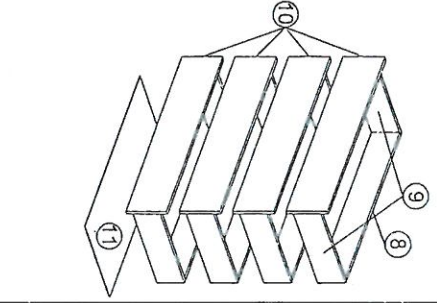
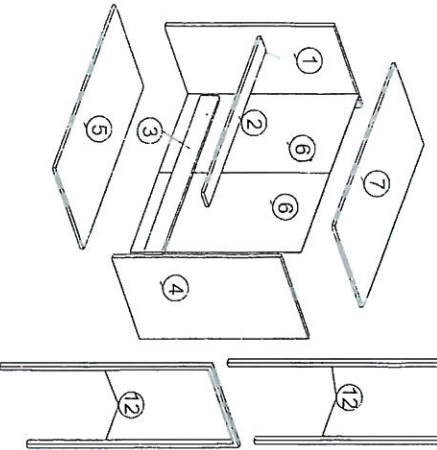
ASSEMBLY INSTRUCTION

MODEL : E 8435

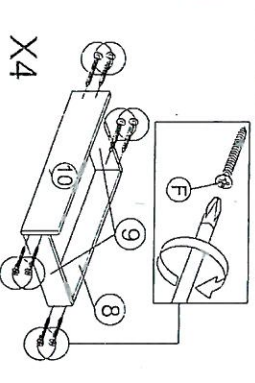
DESCRIPTION : 4 DRAWER CABINET

HARDWARE	
A	WOOD DOVEL 8 X 25 10
B1	MINIFIX 5054+5586 12 SETS
B2	QUICKFIT CAP 12
C	KEY 1
D	CB SCREW M3,5X16MM 56
E	CB SCREW M3,5X16MM 32
F	CB SCREW M3,5X16MM 40
G	CSK CAP NAIL 58 4
H	CSK CAP WOOD M3,5X16MM 4
I	7050-96 BLACK 8
J	HANDLE M3,5X16MM 16
K	HANDLE M3,5X16MM 12
L	PVC CORNER L BRACKET 4
M1	DRAWER SLIDE M1 4 SETS
M2	DRAWER SLIDE M2 4 SETS

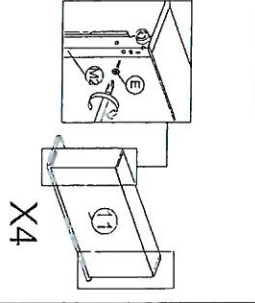
PART LIST



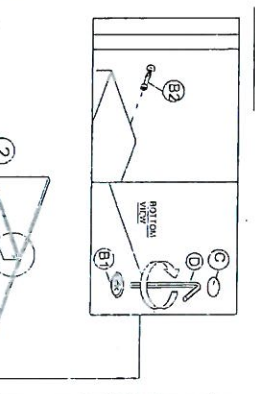
STEP 4



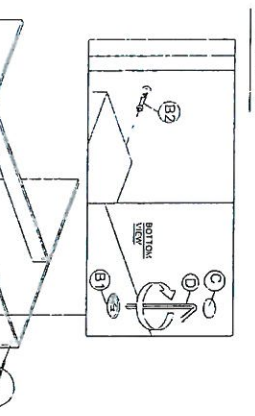
STEP 6



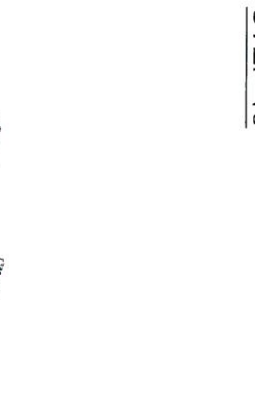
STEP 8



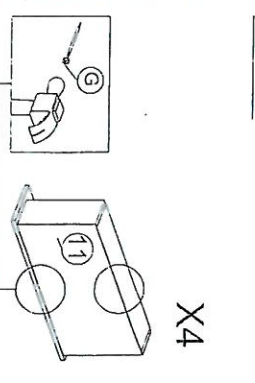
STEP 9



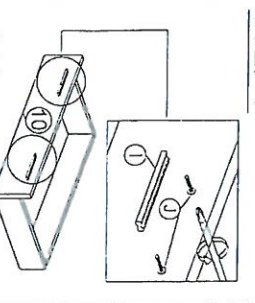
STEP 10



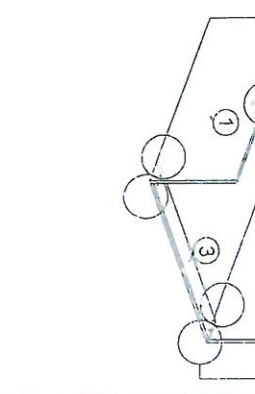
STEP 5



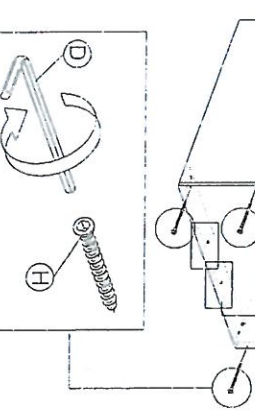
STEP 7



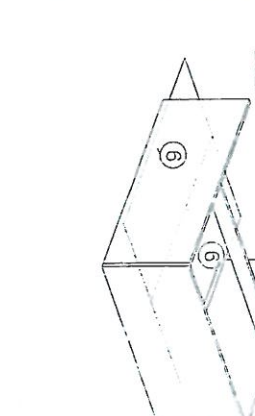
STEP 1



STEP 2



STEP 3



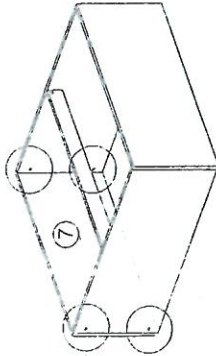
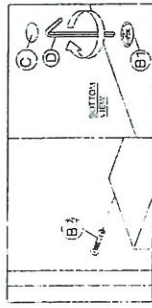
ASSEMBLY INSTRUCTION

MODEL : E 8435

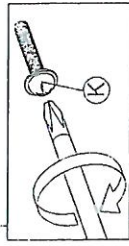
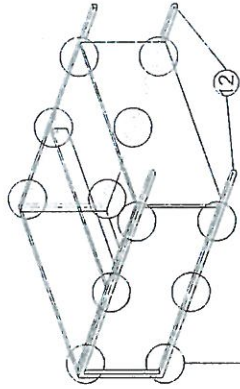
DESCRIPTION : 4 DRAWER CABINET

	SOFT, DRY CLOTH	CHEMICAL	HEAT	KEEP DRY	HANDLE WITH CARE	DO NOT USE KNIFE

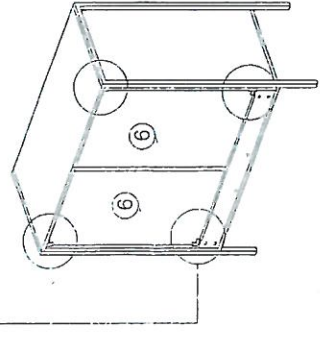
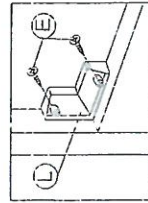
STEP 11



STEP 12



STEP 13



STEP 14

