

# ASSEMBLY INSTRUCTION

MODEL : E 8432

DESC : 2 DOORS WARDROBE

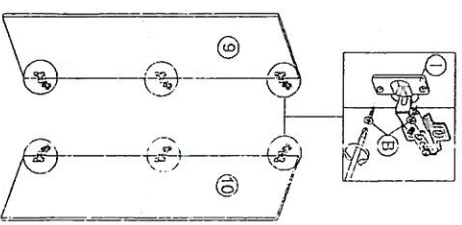
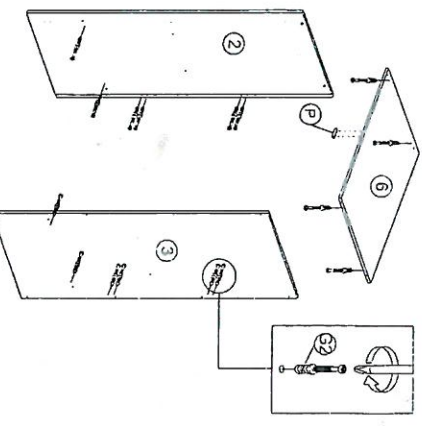
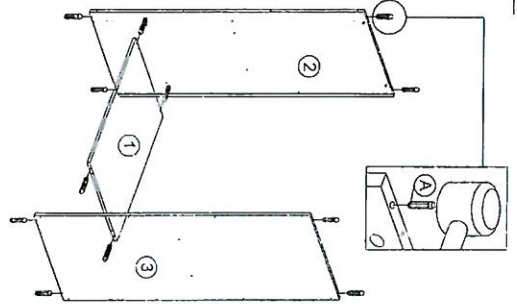
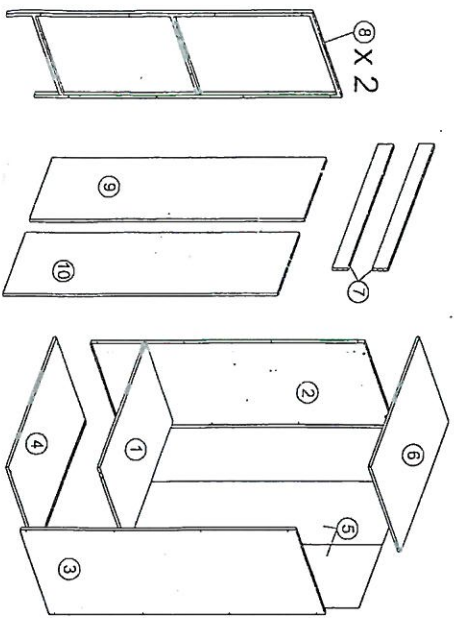
HARDWARE	
A	WOOD DOVEL 8 X 25 12
B	CB SCREW MAX 318MM 40
C	50MM-1 CBK CAP WOOD MAX 35MM 4
D	119MM-1 HANDLE SCREW MAX 318MM 4
E	130MM-1 HANDLE SCREW MAX 350MM 20
F	ALLEN KEY 1
G	G1 KNIFE HOUSING 16 G2 KNIFE EURO 24 16
H	MINI X CAP 16
I	HINGES 718 6
J	7050-96 BLACK 2
K	METAL LEGS 1
L	V BRACKET 2
M	CHROME PIPE -783MM 1
N	PVC CORNER L BRACKET 4
O	ENUT 20
P	2 PIN STOPPER 1
Q	3MM PUH -1617MM 1

PART LIST

STEP 1

STEP 2

STEP 3



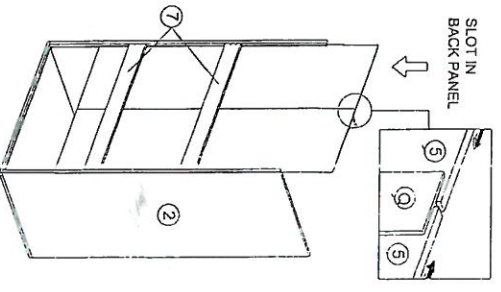
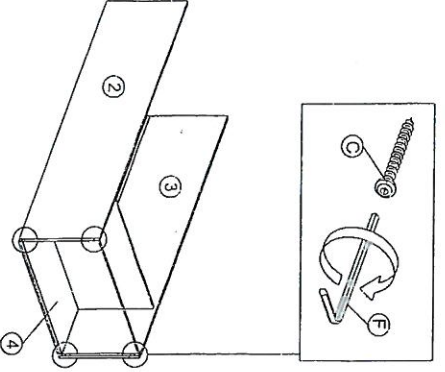
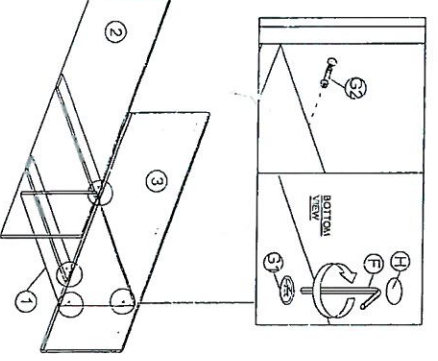
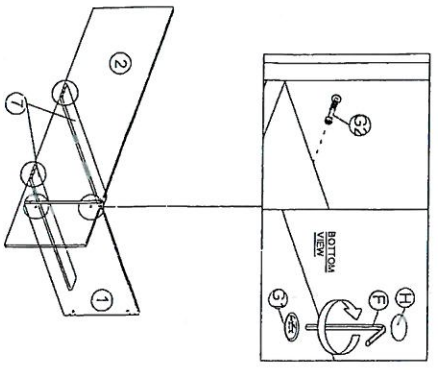
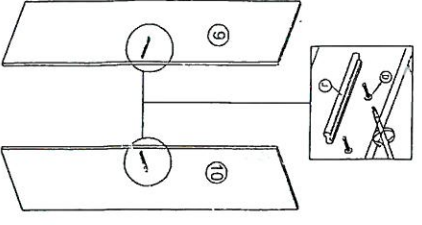
STEP 4

STEP 5

STEP 6

STEP 7

STEP 8



# ASSEMBLY INSTRUCTION

MODEL : E 8432

DESC : 2 DOORS WARDROBE

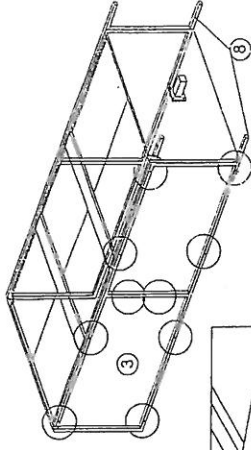
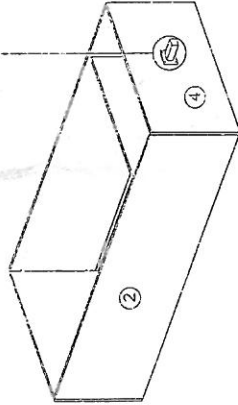
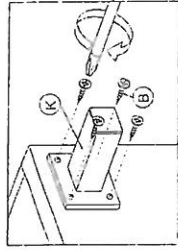
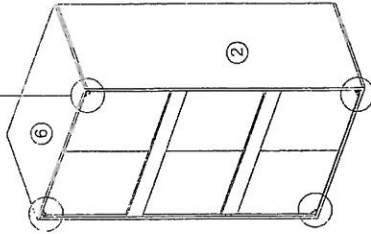
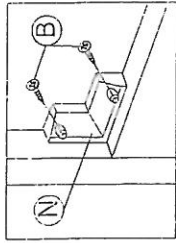
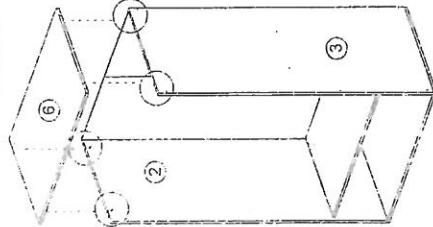
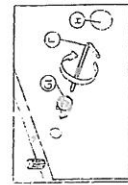
SOFT, DRY CLOTH	CHEMICAL	HEAT	KEEP DRY	HANDLE WITH CARE	DO NOT USE KNIFE	

STEP 9

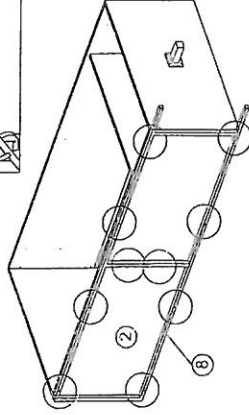
STEP 10

STEP 11

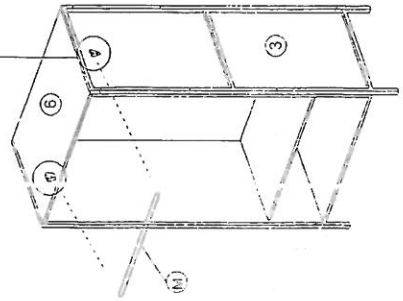
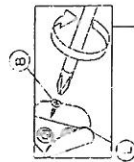
STEP 13



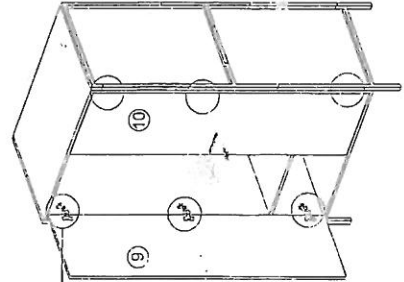
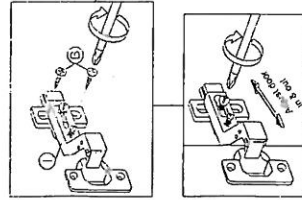
STEP 12



STEP 14



STEP 15



COMPLETED

