

ASSEMBLY INSTRUCTION

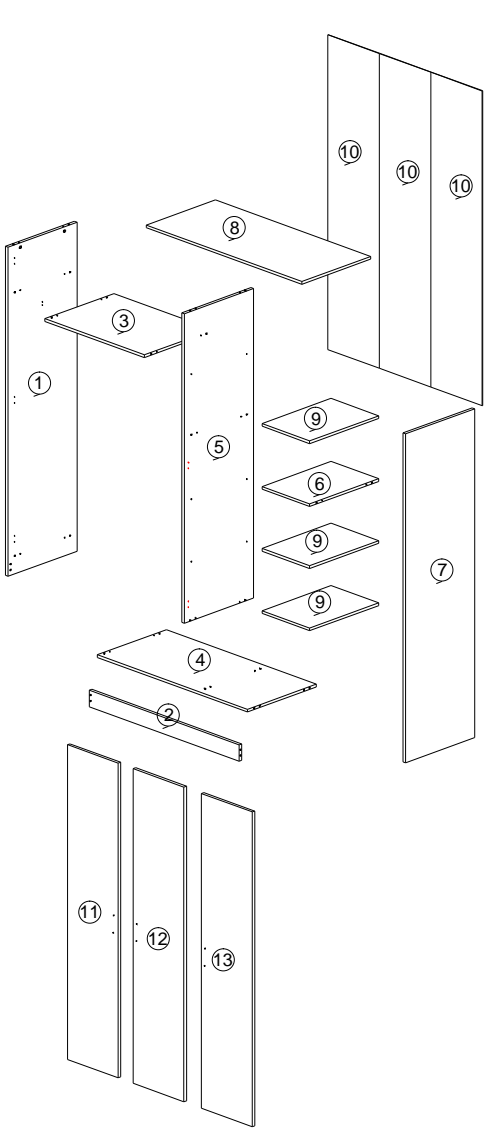
MODEL : E 824.1

DESC : WARDROBE WITH 3 DOORS

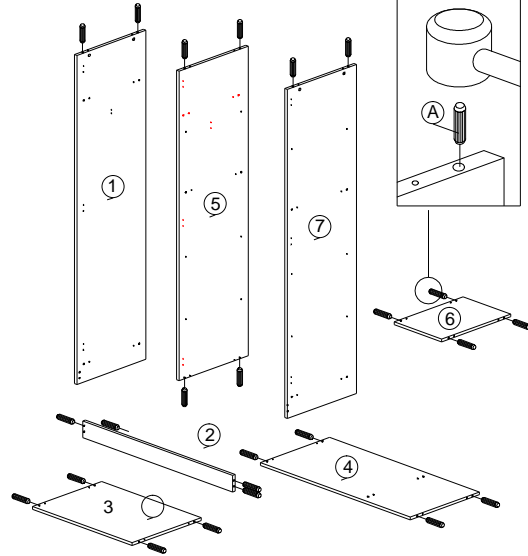
HARDWARE

A WOOD DOWEL 6 X 30 24	B CB SCREW M3.5X16MM 40	C C1 MINIFIX 5654+5546 18 SETS	D MINIFIX CAP 18	E CB SCREW M4X25MM 6	F L-KEY 1	G CSK CAP WOOD M6X50MM 2	H NAIL 5/8 36	I HANDLE 108 -96MM (PVC) 3	J V BRACKET 2	K METAL SHELF SUPPORT 12	L HINGES 2/8 3	M HINGES 5/8 6	N 18MM CHROME PIPE 573mm 1
----------------------------------------	-----------------------------------------	---------------------------------------------------	----------------------------------	--------------------------------------	------------------------	---------------------------------------------	----------------------------	-----------------------------------------------	----------------------------	---------------------------------------------	-----------------------------	-----------------------------	--------------------------------------------

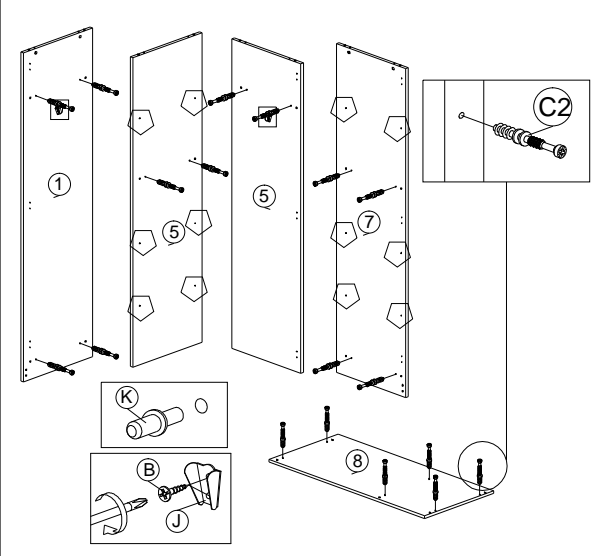
PART LIST



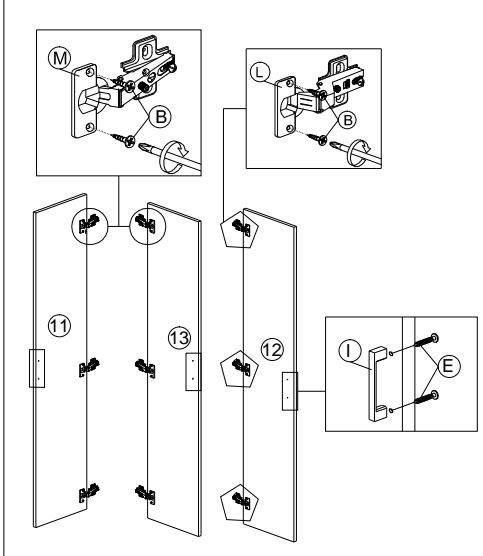
STEP 1



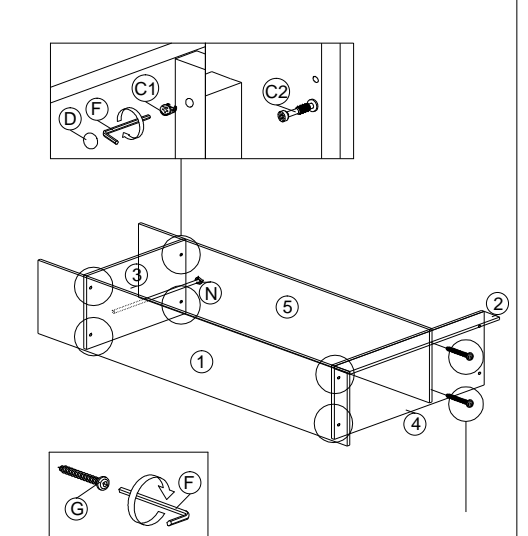
STEP 2



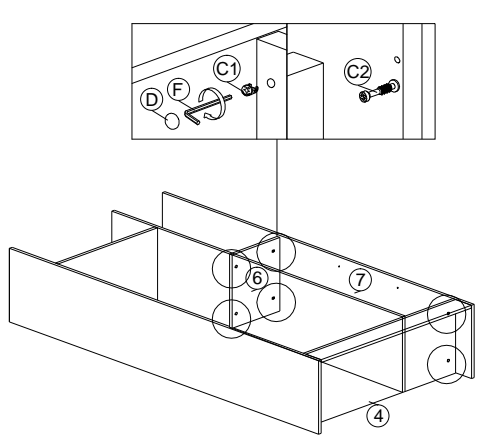
STEP 3



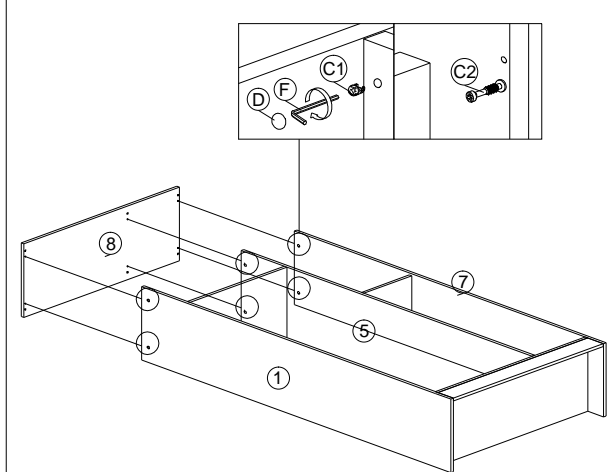
STEP 4



STEP 5



STEP 6

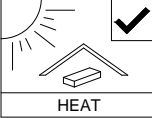




SOFT, DRY CLOTH



CHEMICAL



HEAT



KEEP DRY



HANDLE WITH CARE



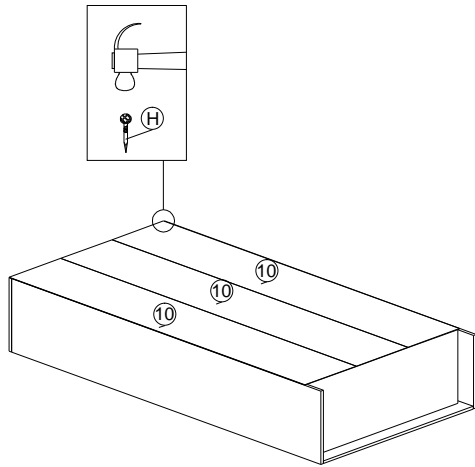
DO NOT USE KNIFE

ASSEMBLY INSTRUCTION

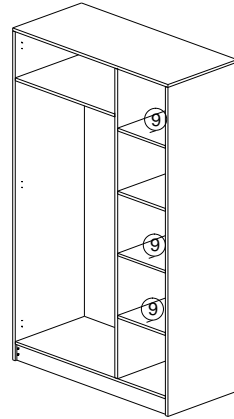
MODEL : E 824.1

DESC : WARDROBE WITH 3 DOORS

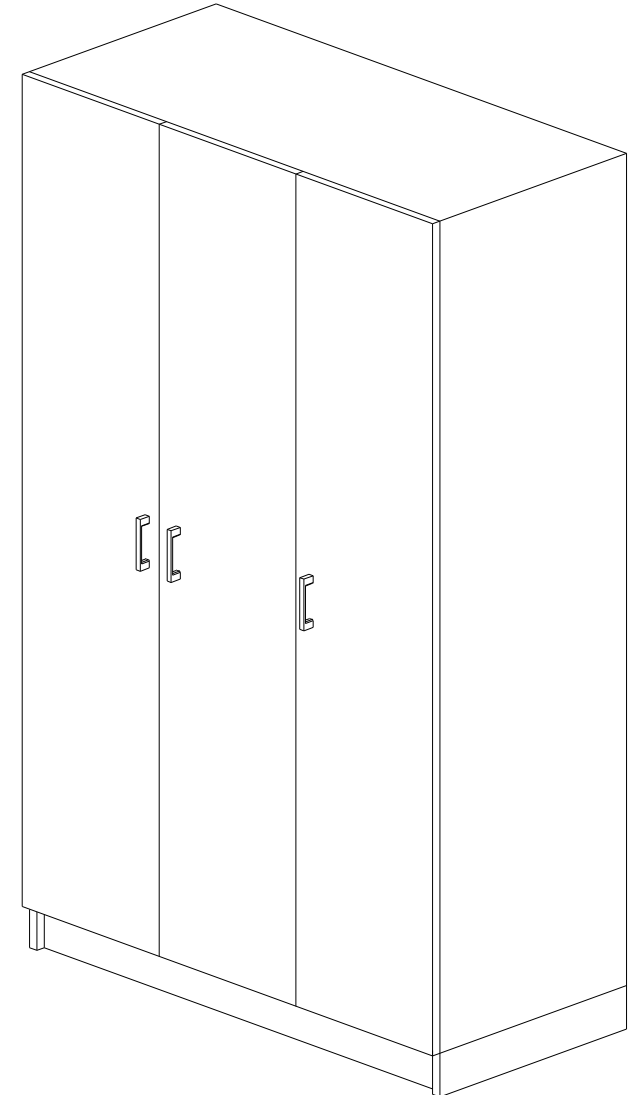
STEP 7



STEP 8



COMPLETED



STEP 9

