

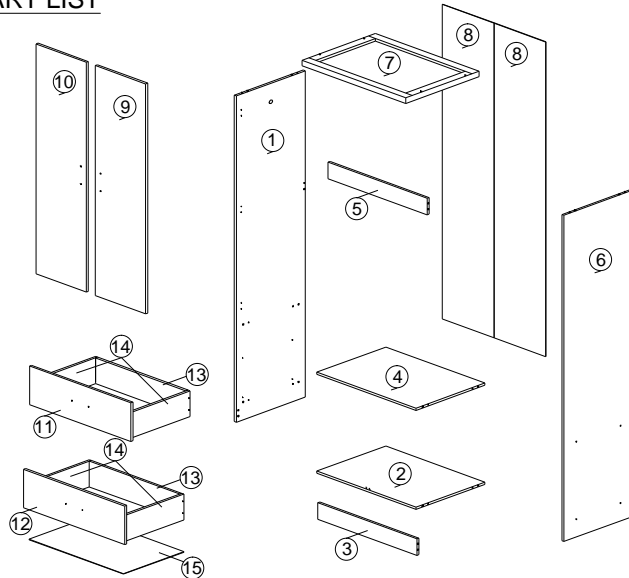
ASSEMBLY INSTRUCTION

MODEL : E 8380

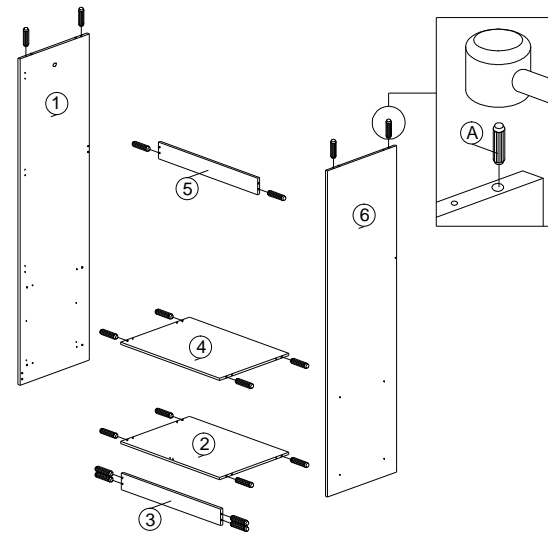
DESC : WARDROBE WITH 2 DOORS & DRAWER

HARDWARE	A	B	C	D	E	F	G	H	I	J	K	L	M	N	O
	WOOD DOWEL 6 X 30	CB SCREW M3.5X12MM	CB SCREW M4X50MM	CB SCREW M4X38MM	NAIL 5/8	TAPPING SCREW M8X12MM	HANDLE 108 -96MM (PVC)	CB SCREW M4X25MM	PVC NAIL WITH PIN 1/2	2 PIN STOPPER	HINGES 2/8	DRAWER SLIDE 14* (CL/CR)	DRAWER SLIDE 14* (DL/DR)	18MM CHROME PIPE	L BRACKET M502
	18	26	4	30	50	24	4	4	5	1	6	2	2	1	1

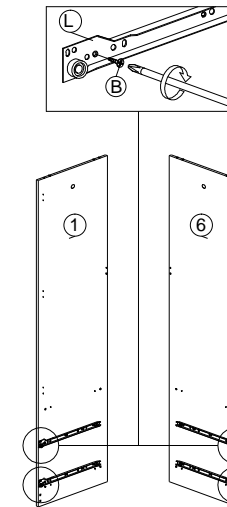
PART LIST



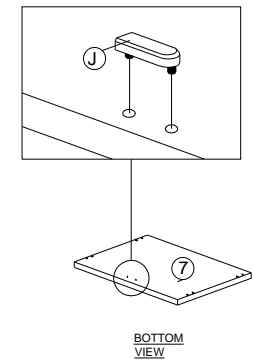
STEP 1



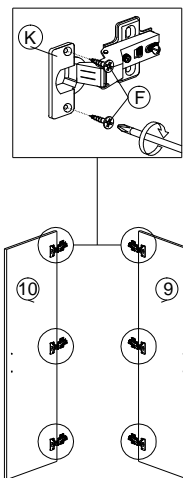
STEP 2



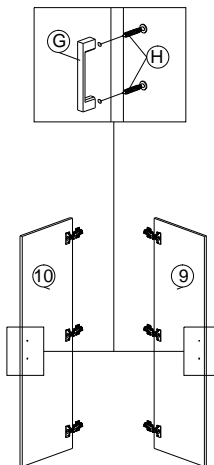
STEP 3



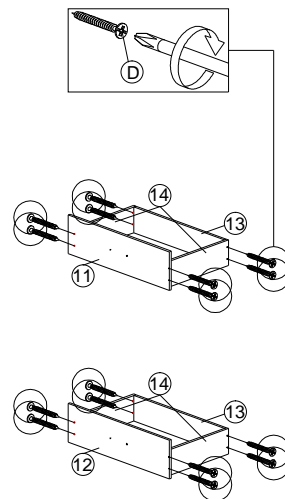
STEP 4



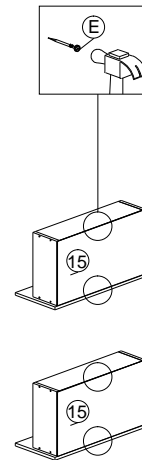
STEP 5



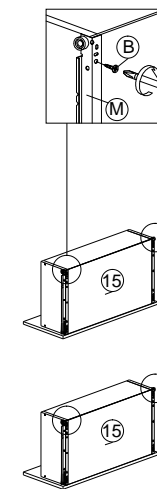
STEP 6



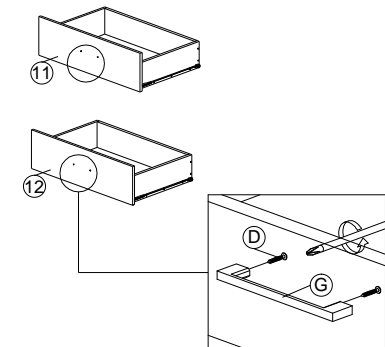
STEP 7



STEP 8



STEP 9

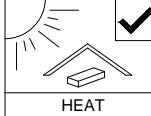




SOFT, DRY CLOTH



CHEMICAL



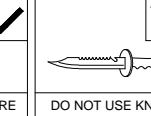
HEAT



KEEP DRY



HANDLE WITH CARE



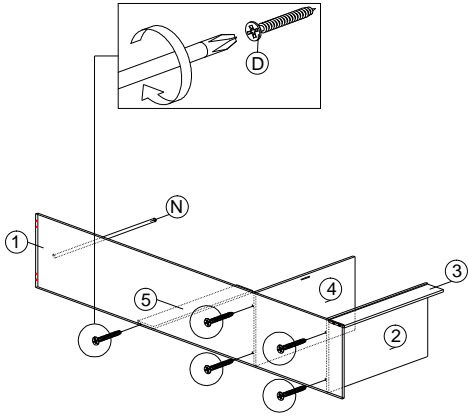
DO NOT USE KNIFE

ASSEMBLY INSTRUCTION

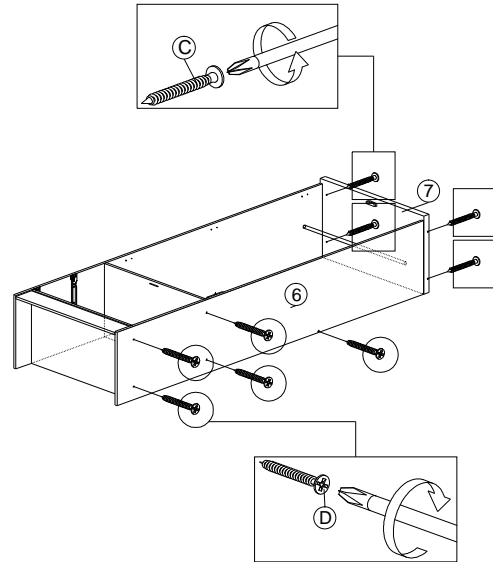
MODEL : E 8380

DESC : WARDROBE WITH 2 DOORS & DRAWER

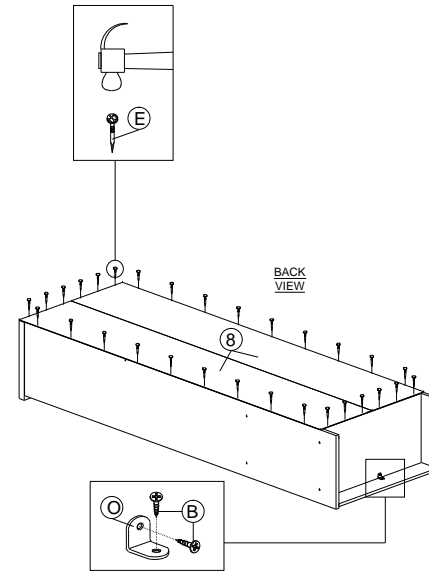
STEP 10



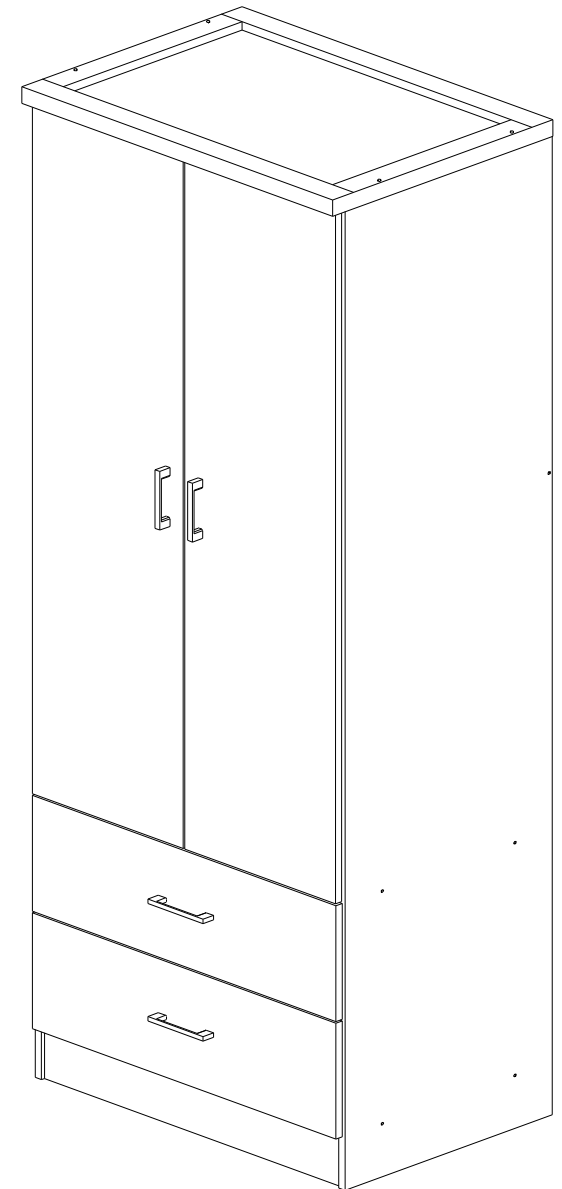
STEP 11



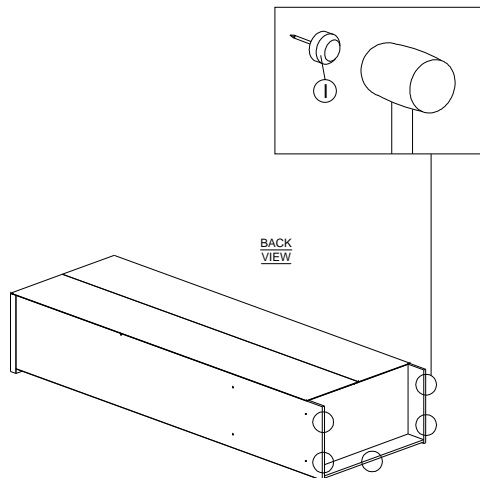
STEP 12



COMPLETED



STEP 13



STEP 14

